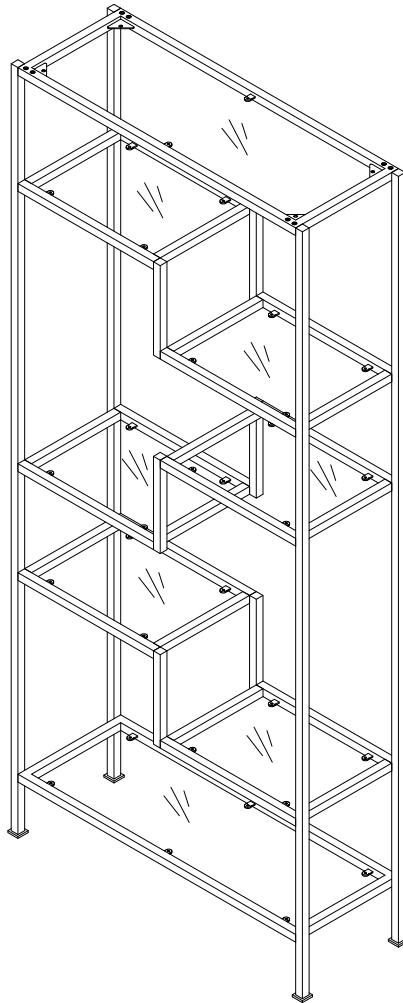
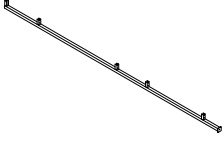
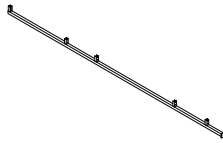
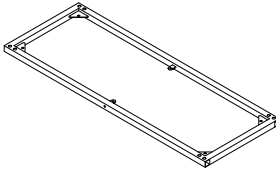
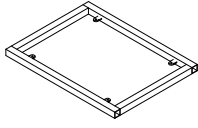
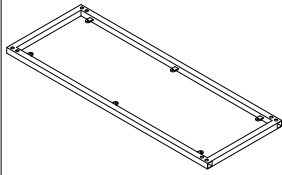
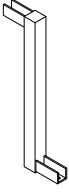
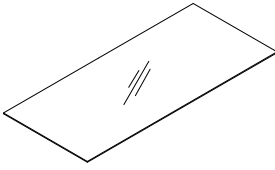
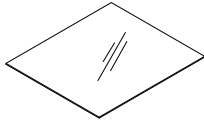




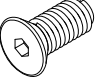


# Etagere CF1113



# PART LIST

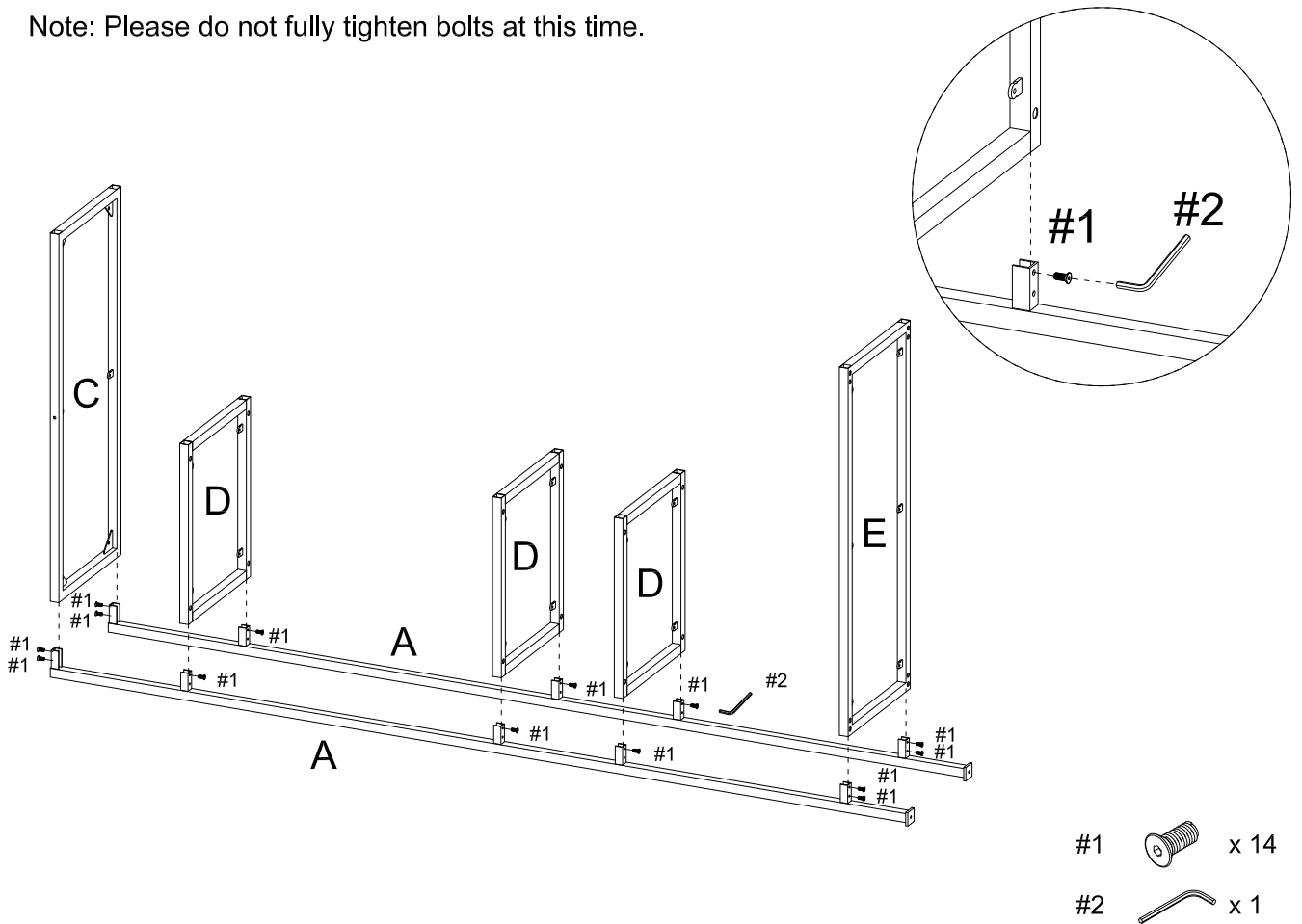
|   |   |   |  |   |
|---|---|---|--|---|
| <p><b>A</b></p>   | <p><b>B</b></p>  | <p><b>C</b></p>  | <p><b>D</b></p>  | <p><b>E</b></p>  |
| <p>Left Leg<br/>2 PCS</p>   | <p>Right Leg<br/>2 PCS</p>  | <p>Top Shelf Frame<br/>1 PC</p>   | <p>Shelf Frame<br/>6 PCS</p>   | <p>Bottom Shelf Frame<br/>1 PC</p>  |
| <p><b>F</b></p>  | <p><b>G</b></p>  | <p><b>H</b></p>  |  |   |
| <p>Cross Bar<br/>6 PCS</p>  | <p>Top/Bottom Shelf Glass<br/>2 PCS</p>   | <p>Shelf Glass<br/>6 PCS</p>  |  |   |

# HARDWARE LIST

|  |  |  |
|--|--|--|
| <p><b>#1</b></p>  <p>1/4" x 1/2"L</p> | <p><b>#2</b></p>  | <p><b>#3</b></p>  |
| <p>Bolt<br/>40 PCS (Extra 1)</p>   | <p>Allen Wrench<br/>1 PC</p>   | <p>Safety Strap Kit<br/>1 SET</p>  |

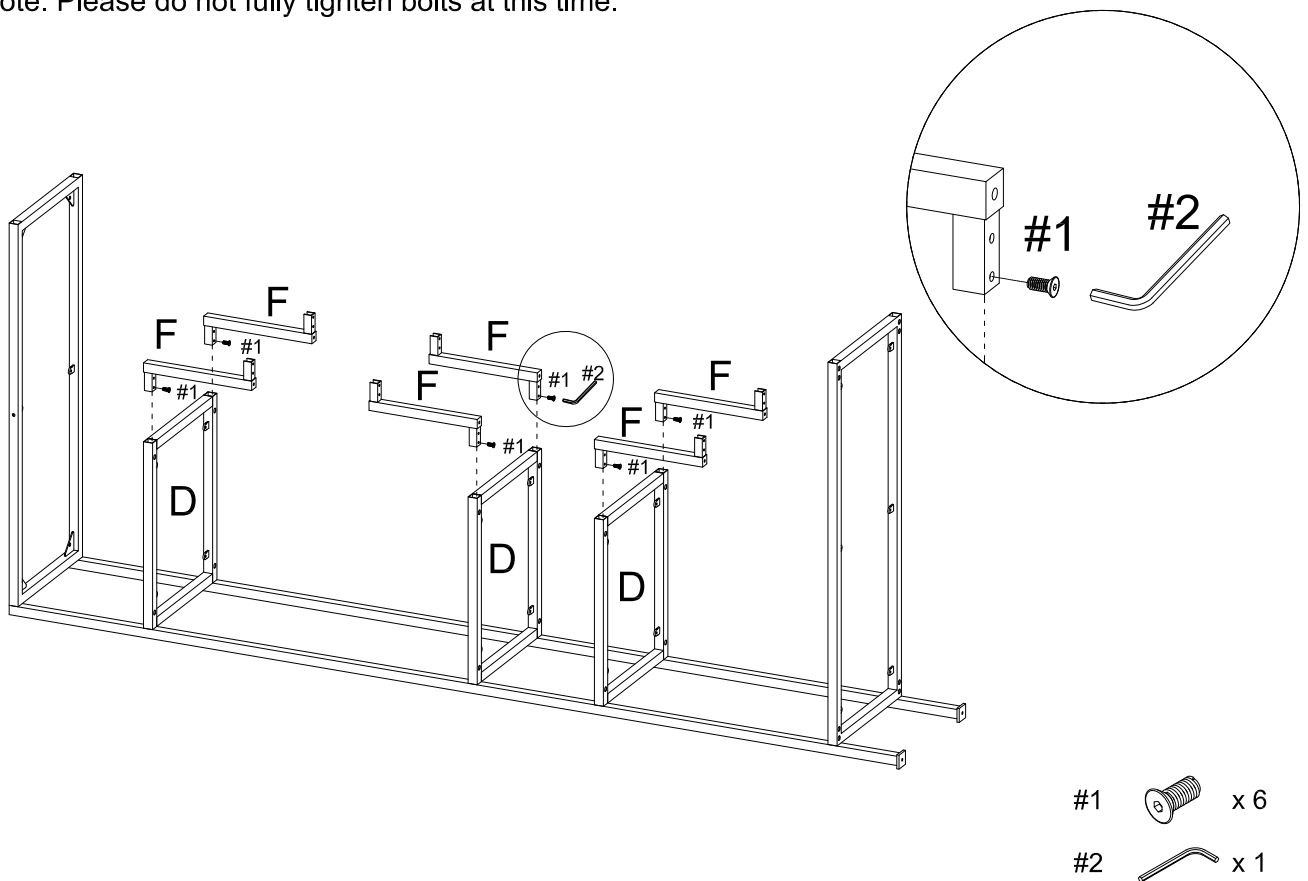
Step 1. Insert top shelf frame (part C), shelf frames (part D) and bottom shelf frame (part E) into left legs (part A) using bolts (part #1) and allen wrench (part #2).

Note: Please do not fully tighten bolts at this time.



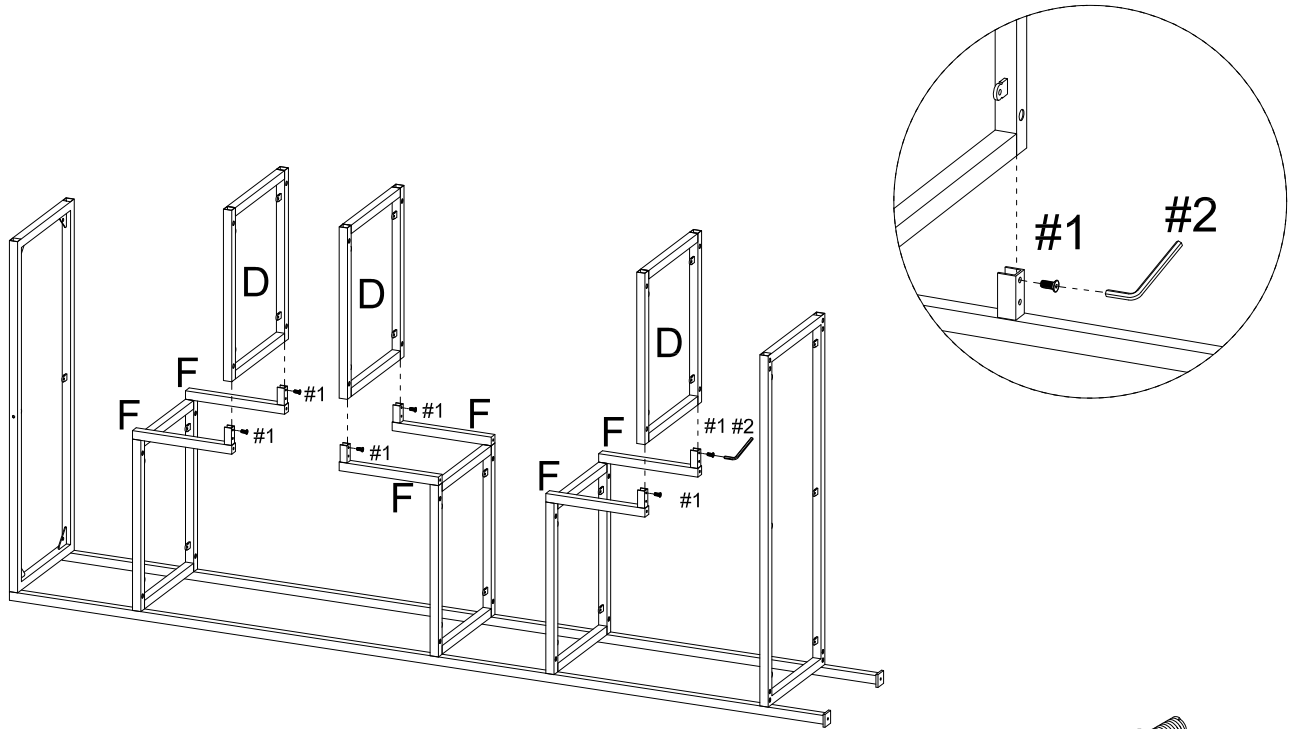
Step 2. Insert cross bars (part F) into shelf frames (part D) using bolts (part #1) and allen wrench (part #2).


Note: Please do not fully tighten bolts at this time.



Step 3. Attach shelf frames (part D) into cross bars (part F) using bolts (part #1) and allen wrench (part #2).

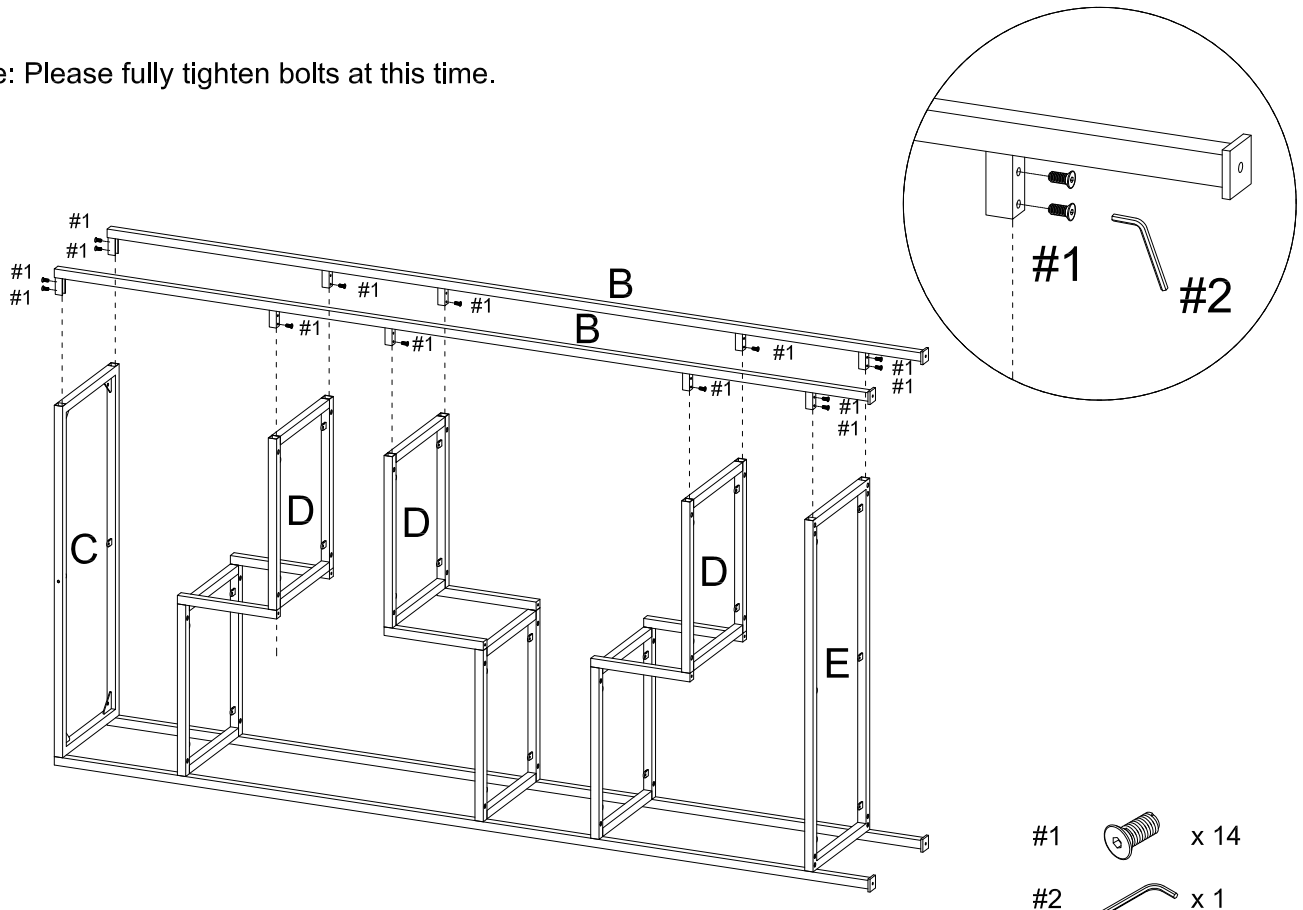
Note: Please do not fully tighten bolts at this time.





- #1  x 6
- #2  x 1

Step 4. Insert right legs (part B) into top shelf frame (part C), shelf frames (part D) and bottom shelf frame (part E) using bolts (part #1) and allen wrench (part #2).

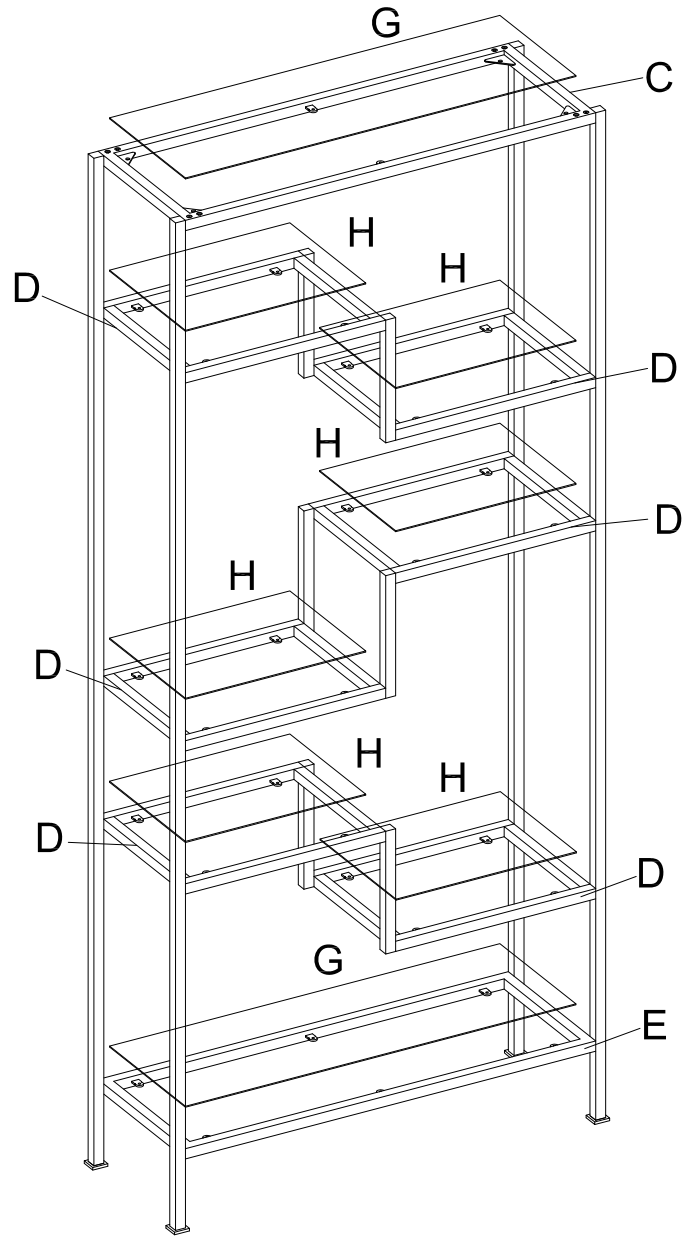
Note: Please fully tighten bolts at this time.


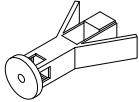






- #1  x 14
- #2  x 1

Step 5. Carefully turn unit upright. Install top/bottom shelf glasses (part G) into top shelf frame (part C) and bottom shelf frame (part E). Install shelf glasses (part H) into shelf frames (part D).

Important: Safety strap kit (part #3) must be installed to prevent tipping, damage and / or injury.



| #3  | A   | B   | C  | D   | E   |
|---|---|---|--|---|---|
|  |  |  | <br>D8 x 1-1/2" | <br>D10 x 1/2" |  |
| Safety Strap Kit<br>1 SET   | Wall Anchor<br>1 PC   | Hook<br>2 PCS   | Screw<br>1 PC  | Bolt<br>1 PC  | Safety Wall Strap<br>1 PC   |

## SAFETY WALL STRAP INSTALLATION

Note: It is highly recommended to install this safety strap kit to prevent tipping, damage and/or injury.

1) Insert bolt (D) through hook (B) and attach to predrilled hole in top shelf frame (part C) using a philips head screwdriver.

2) Drill 11/32" hole in the wall where this unit will be secured. The drilled hole will be at the same height as the hole in top shelf frame (part C) where hook (B) was attached. Tap wall anchor (A) into the drilled hole.

3) Insert screw (C) through hook (B) into the wall anchor (A) using a philips head screwdriver.

4) Insert safety wall strap (E) through both hooks (B) and tighten to secure.

Note: This item is not intended for clothing storage use.

