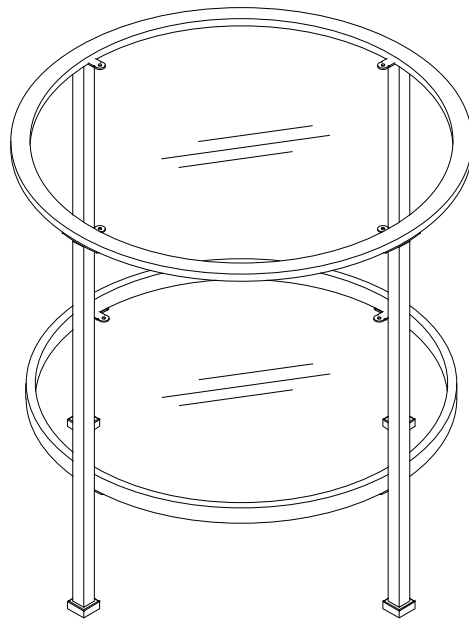
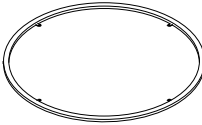
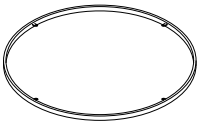
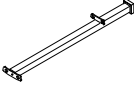

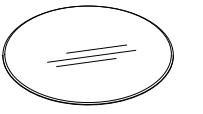






Glass Side Table CF1309



PART LIST

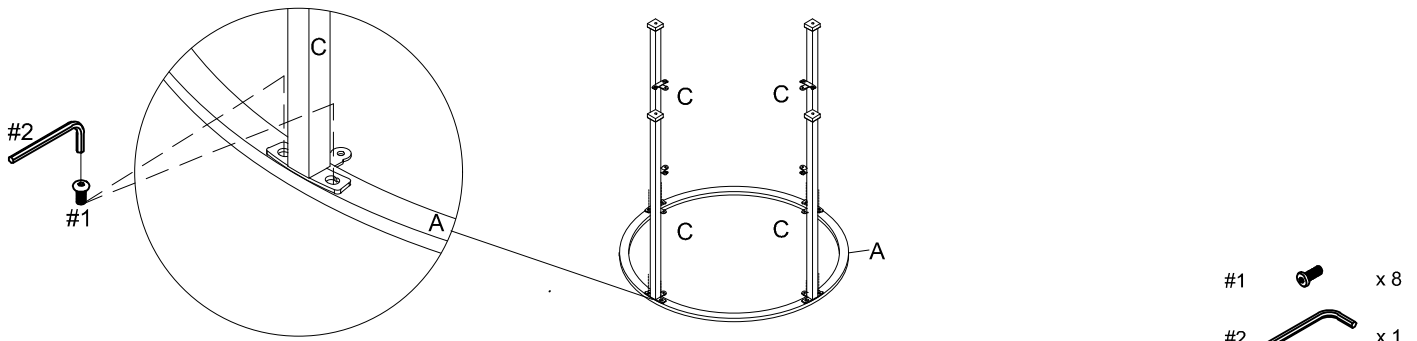
<p>A</p> 	<p>B</p> 	<p>C</p> 	<p>D</p> 	<p>E</p> 
<p>Top Frame 1 PC</p>	<p>Bottom Frame 1 PC</p>	<p>Leg 4 PCS</p>	<p>Top Glass 1 PC</p>	<p>Bottom Glass 1 PC</p>

HARDWARE LIST

<p>#1</p> 	<p>#2</p> 
<p>M6 x 1/2"L Bolt 16 PCS (Extra 2)</p>	<p>Allen Wrench 1 PC</p>

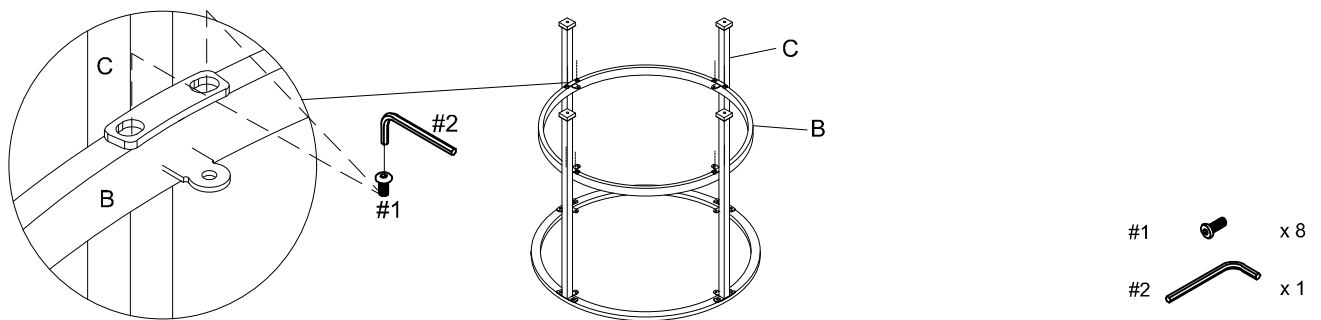
Step 1. Carefully lay top frame (part A) upside down on a soft surface, such as carpet, as shown below. Attach legs (part C) to top frame (part A) using bolts (part #1) and allen wrench (part #2).

NOTE: Please do not fully tighten bolts until unit is fully assembled.



Step 2. Attach bottom frame (part B) to legs (part C) using bolts (part #1) and allen wrench (part #2).

NOTE: Please fully tighten all bolts at this time.



Step 3. Carefully turn unit upright. Install bottom glass (part E) into bottom frame (part B) and top glass (part D) into top frame (part A).

