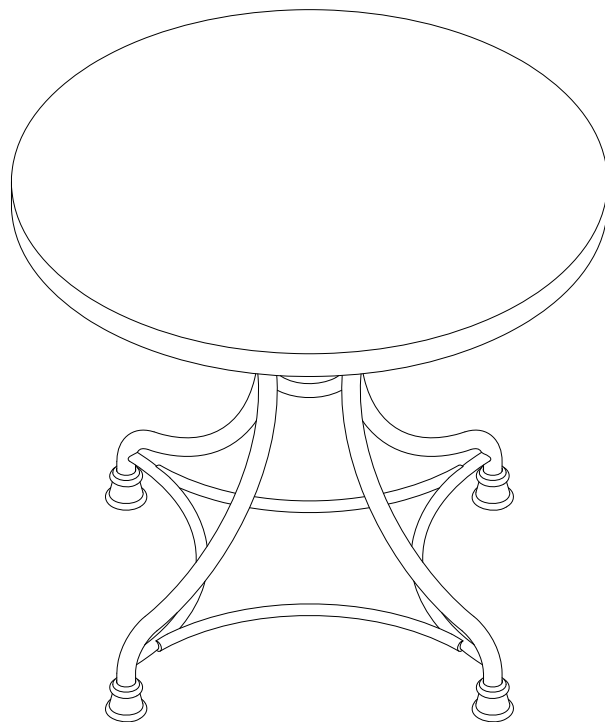
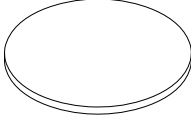

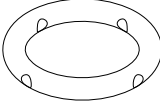
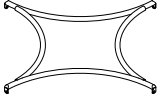




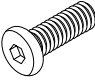
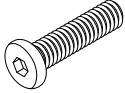

Round Table
CF2007/CF2008



PART LIST

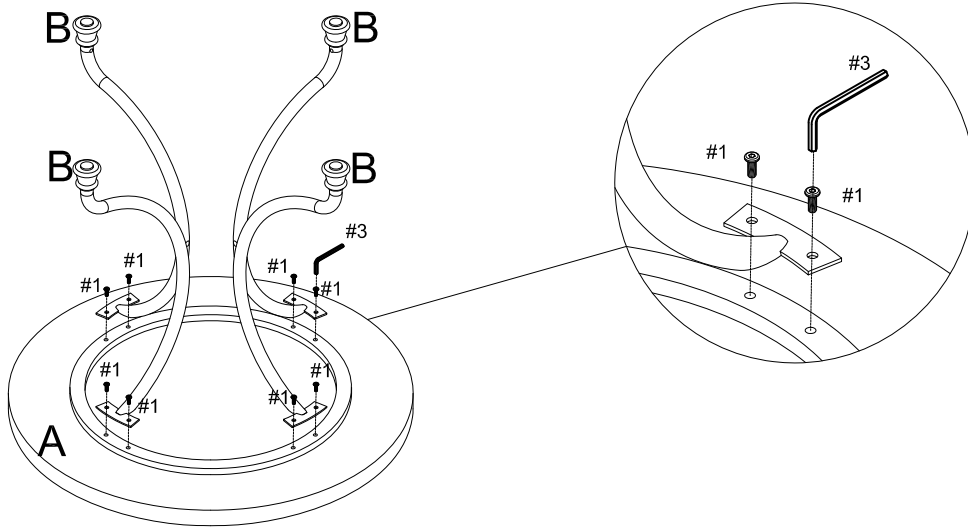
<p>A</p> 	<p>B</p> 	<p>C</p> 	<p>D</p> 
<p>Marble Top 1 PC</p>	<p>Leg 4 PCS</p>	<p>Circle Frame 1 PC</p>	<p>Bottom Frame 1 PC</p>

HARDWARE LIST

<p>#1</p> 	<p>#2</p> 	<p>#3</p> 
<p>1/4' x 5/8"L</p> <p>Bolt 12 PCS (Extra 1)</p>	<p>1/4' x 1"L</p> <p>Long Bolt 4 PCS (Extra 1)</p>	<p>Allen Wrench 1 PC</p>

Step 1. Carefully lay marble top (part A) upside down on a flat, soft surface, such as carpet. Attach legs (part B) to marble top (part A) using bolts (part #1) and allen wrench (part #3).

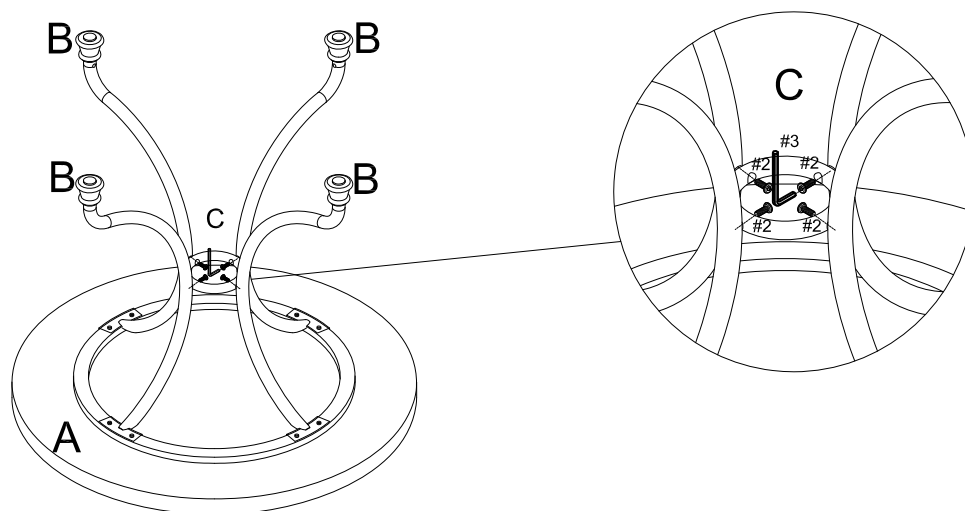
Note: Please do not fully tighten bolts at this time.




- #1  x 8
- #3  x 1

Step 2. Attach circle frame (part C) to legs (part B) using long bolts (part #2) and allen wrench (part #3).

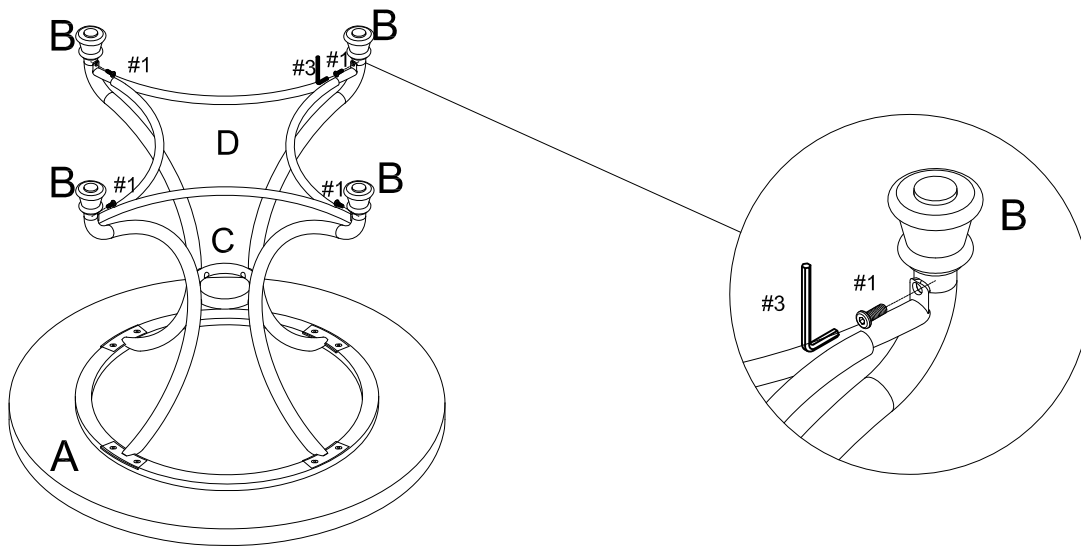
Note: Please do not fully tighten bolts at this time.



- #2  x 4
- #3  x 1

Step 3. Attach bottom frame (part D) to legs (part B) using bolts (part #1) and allen wrench (part #3).

Note: Please fully tighten all bolts at this time.



- #1  x 4
- #3  x 1

Step 4. Carefully turn unit upright.

