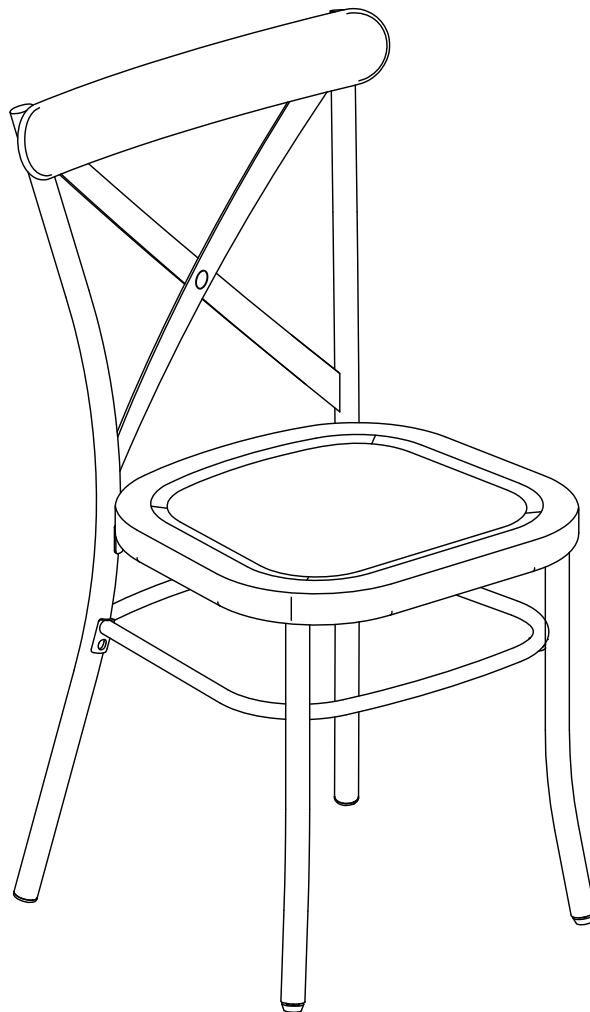
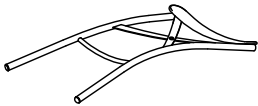







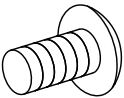



Dining Chair
CF500620



PART LIST

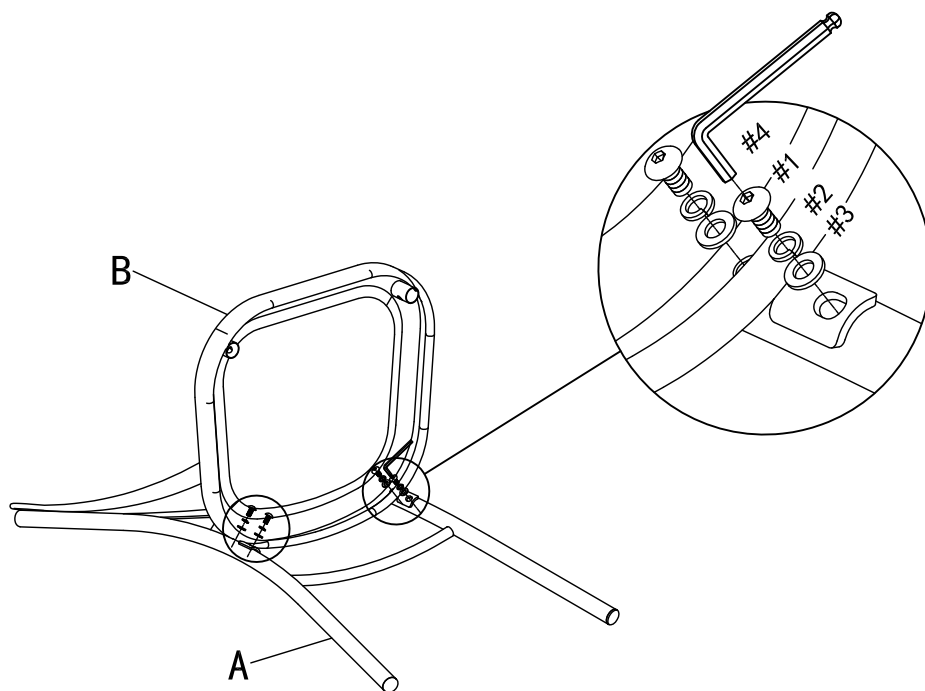
<div data-bbox="129 120 177 170" style="border: 1px solid black; padding: 2px;">A</div> 	<div data-bbox="397 120 445 170" style="border: 1px solid black; padding: 2px;">B</div> 	<div data-bbox="665 120 713 170" style="border: 1px solid black; padding: 2px;">C</div> 	<div data-bbox="933 120 981 170" style="border: 1px solid black; padding: 2px;">D</div> 
<p style="text-align: center;">Back 1 PC</p>	<p style="text-align: center;">Seat 1 PC</p>	<p style="text-align: center;">Stretcher 1 PC</p>	<p style="text-align: center;">Front Leg 2 PCS</p>





HARDWARE LIST

<div data-bbox="129 656 177 705" style="border: 1px solid black; padding: 2px;">#1</div>  <p style="text-align: center;">1/4"x5/8"L</p>	<div data-bbox="397 656 445 705" style="border: 1px solid black; padding: 2px;">#2</div>  <p style="text-align: center;">ϕ10.5xϕ7.0x1.5</p>	<div data-bbox="665 656 713 705" style="border: 1px solid black; padding: 2px;">#3</div>  <p style="text-align: center;">ϕ16xϕ7.0x1.5</p>	<div data-bbox="933 656 981 705" style="border: 1px solid black; padding: 2px;">#4</div>  <p style="text-align: center;">M4</p>
<p style="text-align: center;">Bolt 10 PCS (Extra 1)</p>	<p style="text-align: center;">Spring Washer 10 PCS (Extra 1)</p>	<p style="text-align: center;">Flat Washer 10 PCS (Extra 1)</p>	<p style="text-align: center;">Allen Wrench 1 PC</p>

Step 1. Lay back (part A) down on a soft flat surface, such as carpet. Attach seat (part B) to back (part A) using bolts (part #1), spring washers (part #2), flat washers (part #3) and allen wrench (part #4).

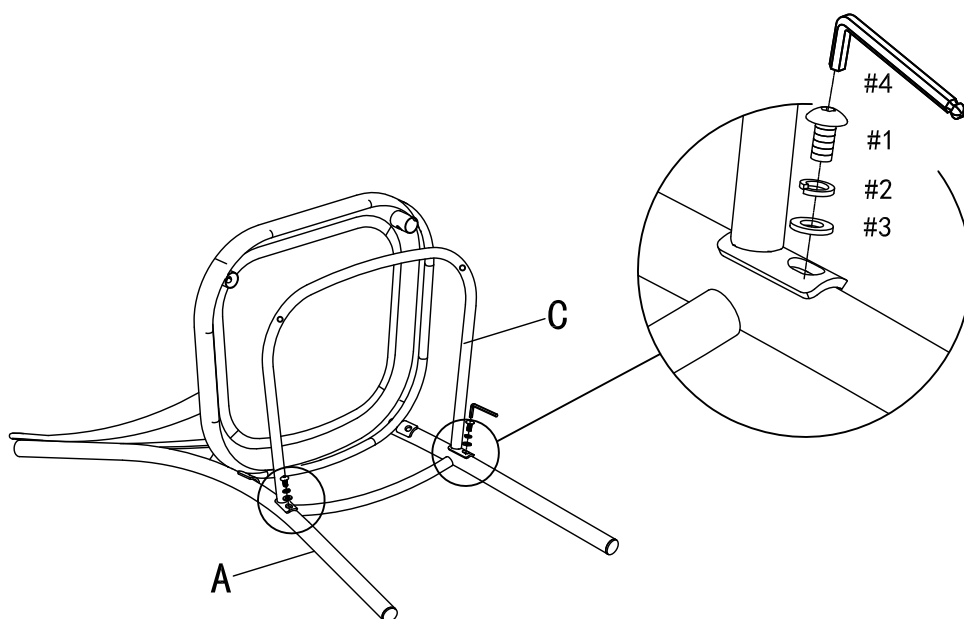
NOTE: Please do not fully tighten bolts until unit is fully assembled.







- #1  x 4
- #2  x 4
- #3  x 4
- #4  x 1

Step 2. Attach stretcher (part C) to back (part A) using bolts (part #1), spring washers (part #2), flat washers (part #3) and allen wrench (part #4).

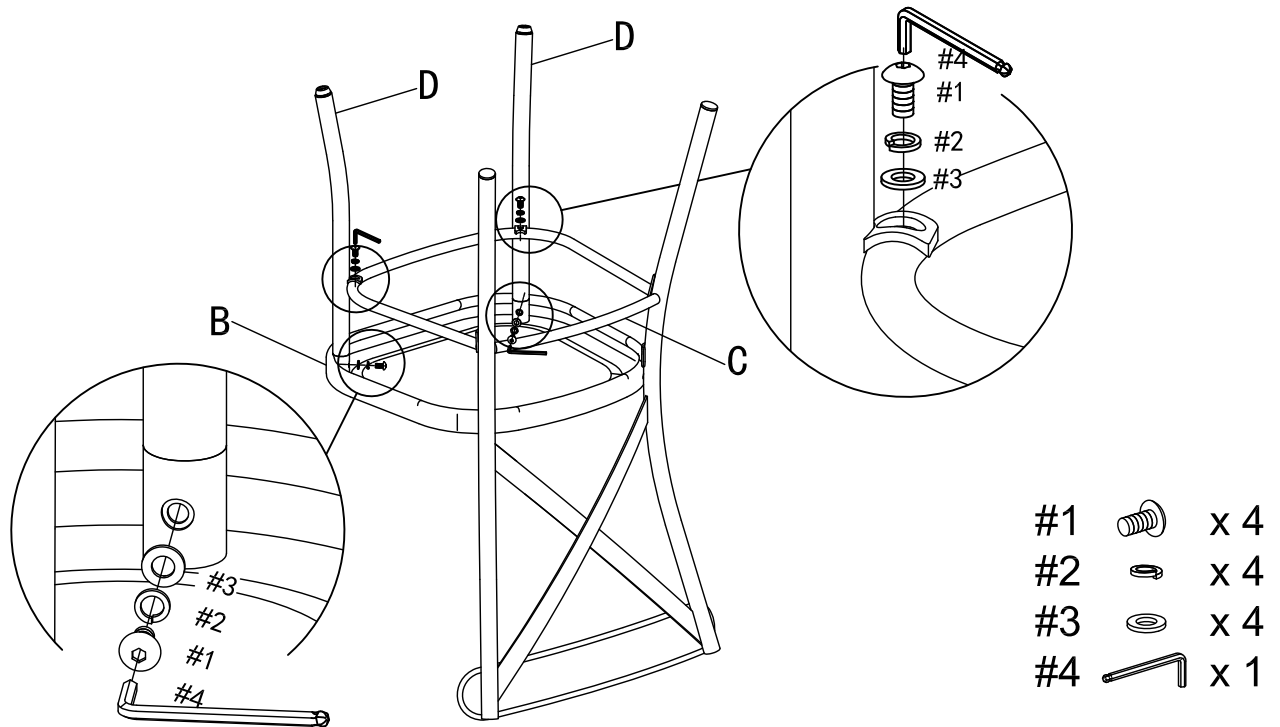
NOTE: Please do not fully tighten bolts until unit is fully assembled.



- #1  x 2
- #2  x 2
- #3  x 2
- #4  x 1

Step 3. Attach front legs (part D) to seat (part B) and stretcher (part C) using bolts (part #1), spring washers (part #2), flat washers (part #3) and allen wrench (part #4).

NOTE: Please fully tighten all bolts at this time.



Step 4. Carefully turn unit upright. Repeat steps 1-3 to assemble remaining chair.

