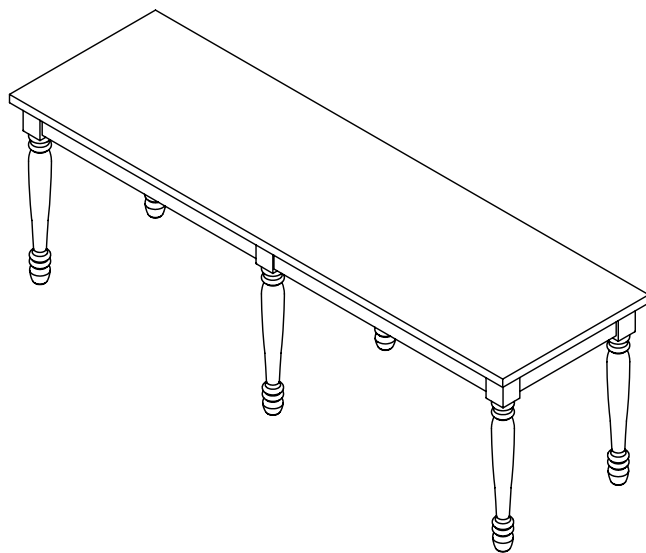


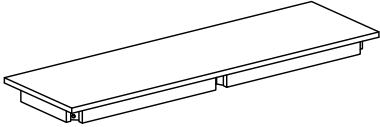
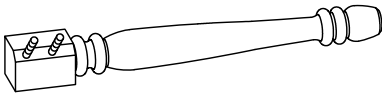
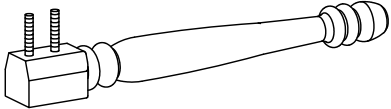


Dining Bench

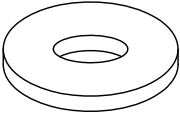
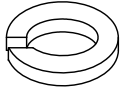
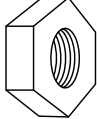
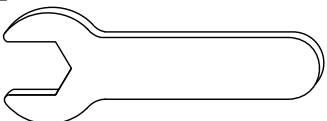
CF501118



PART LIST

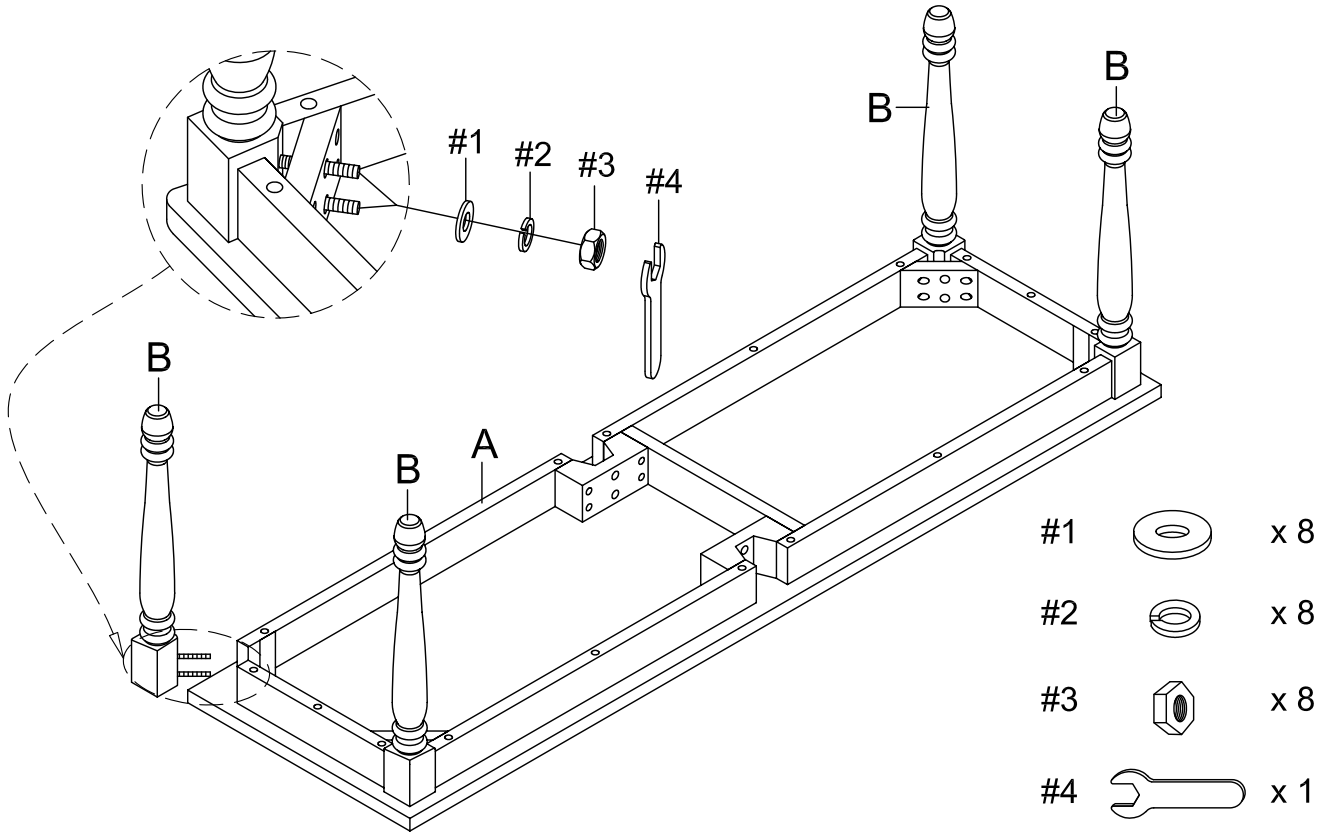
<p>A</p> 	<p>B</p> 	<p>C</p> 
<p>Seat Frame 1 PC</p>	<p>Corner Legs 4 PCS</p>	<p>Center Legs 2 PCS</p>

HARDWARE LIST

<p>#1</p> 	<p>#2</p> 	<p>#3</p> 
<p>Flat Washer 12 PCS</p>	<p>Spring Washer 12 PCS</p>	<p>Nut 12 PCS</p>
<p>#4</p> 		
<p>Wrench 1 PC</p>		

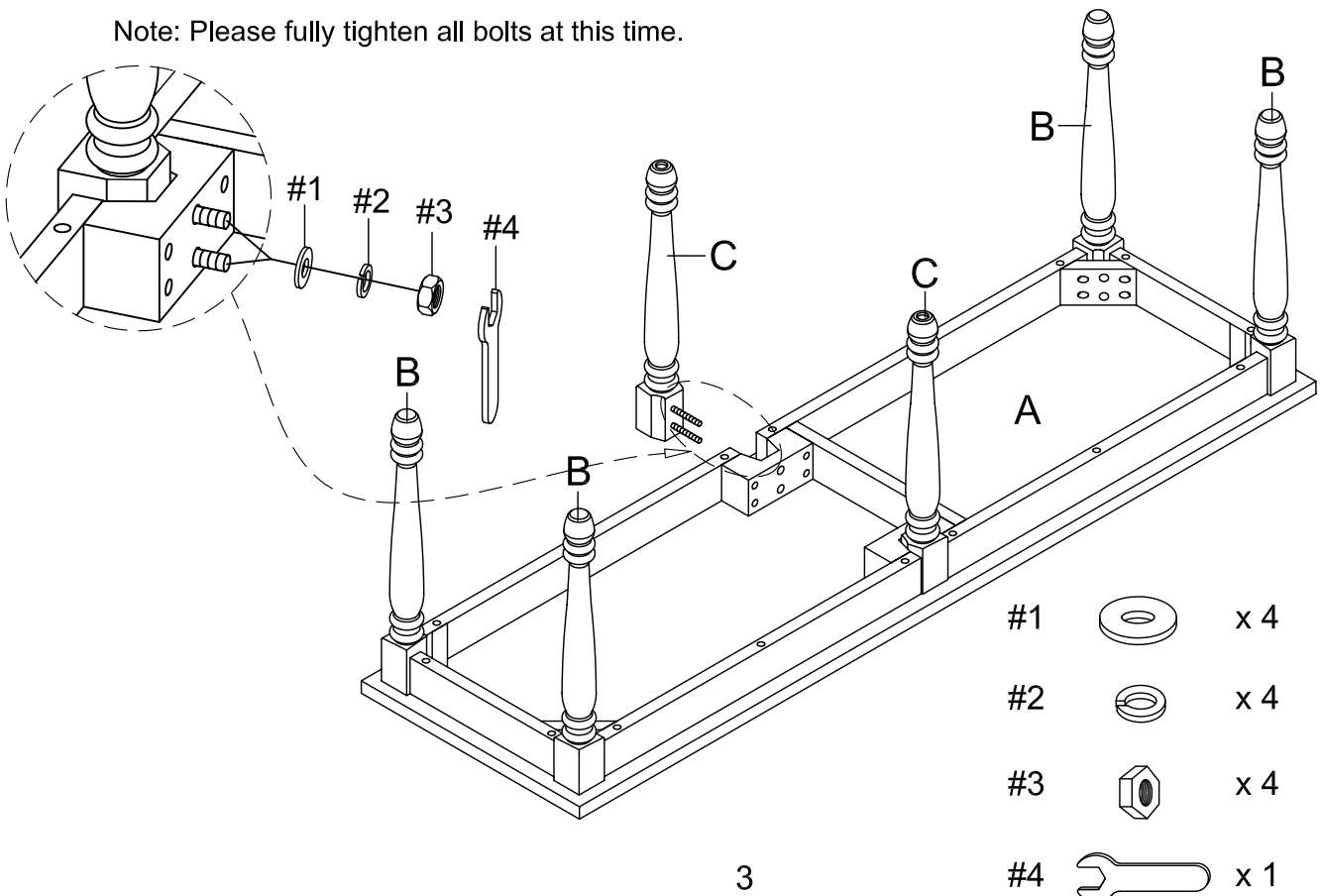
Step 1. Carefully turn seat frame (part #A) upside down on a soft flat surface, such as carpet, as shown below. Attach corner legs (part #B) to seat frame (part #A) using flat washers (part #1), spring washers (part #2), nuts (part #3) and wrench (part #4).

Note: Please do not fully tighten bolts until unit is fully assembled.

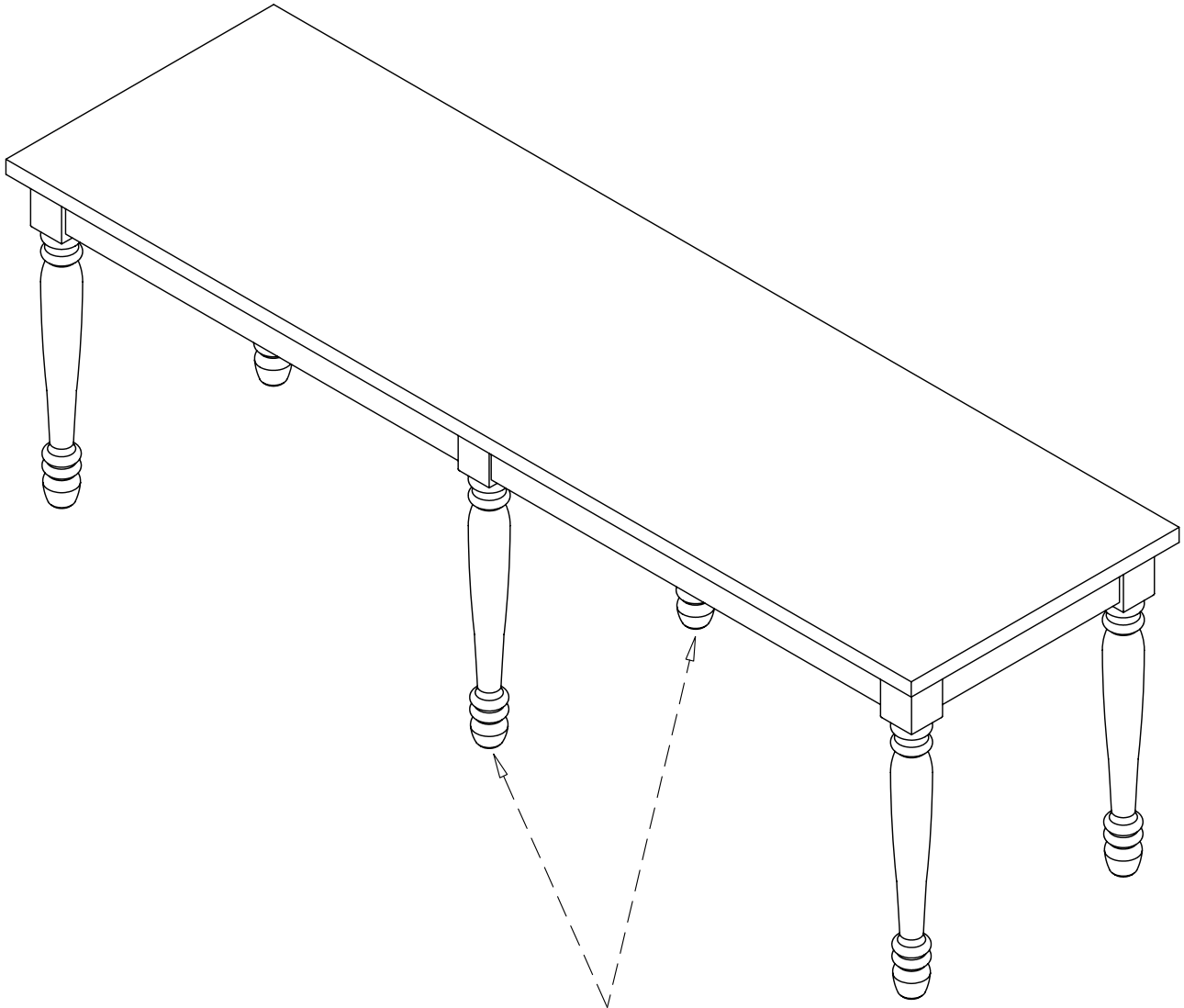


Step 2. Attach center legs (part #C) to seat frame (part #A) using flat washers (part #1), spring washers (part #2), nuts (part #3) and wrench (part #4).

Note: Please fully tighten all bolts at this time.



Step 3. Carefully turn assembled unit over, and unscrew adjustable levelers on center legs (part C) until they are firmly seated on the ground.



Adjustable Levelers