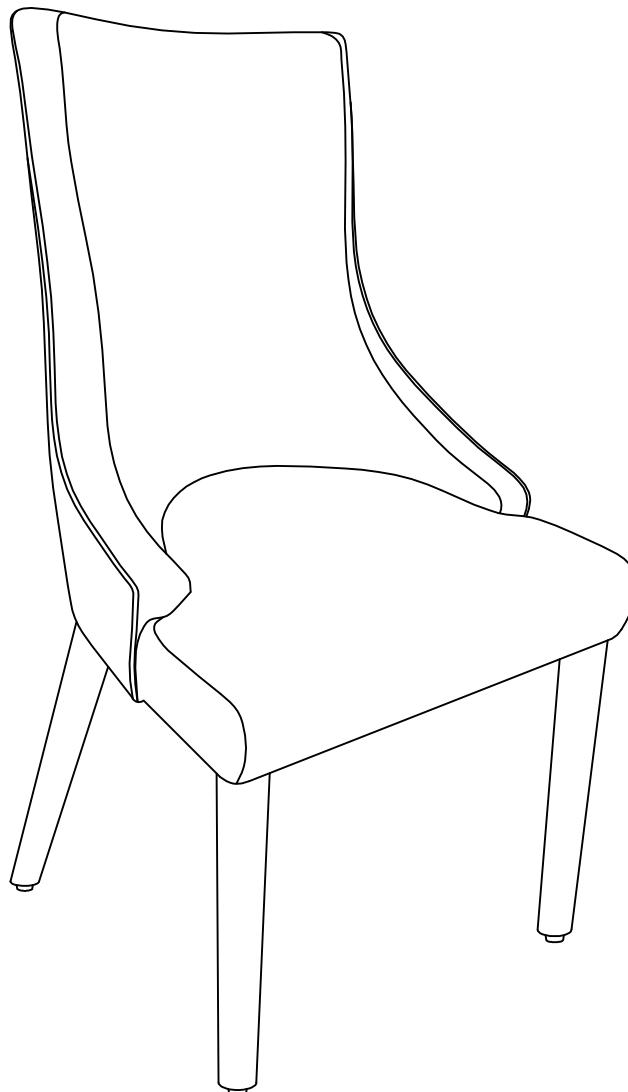

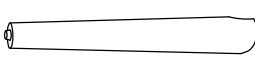





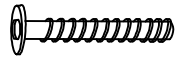
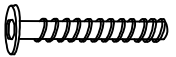
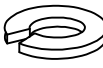


**Upholstered Dining Chair
CF6022**



PART LIST

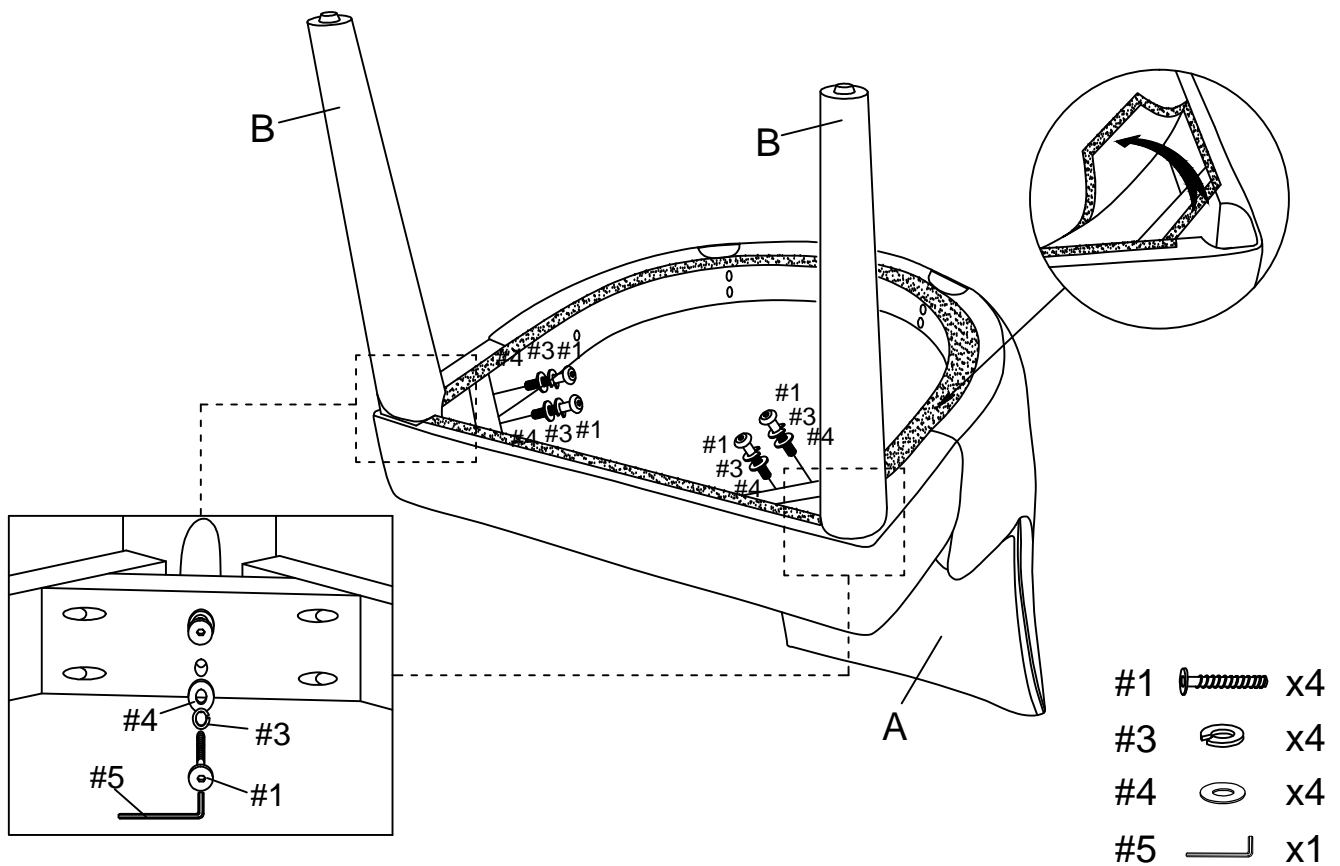
<p>A</p> 	<p>B</p> 	<p>C</p> 
<p>Back and Seat 2 PCS</p>	<p>Front Leg 4 PCS</p>	<p>Back Leg 4 PCS</p>

HARDWARE LIST

<p>#1</p>  <p>M6 x 70mm</p>	<p>#2</p>  <p>M6 x 40mm</p>	<p>#3</p>  <p>1/4"</p>	<p>#4</p>  <p>1/4"</p>	<p>#5</p>  <p>M4</p>
<p>Long Bolt 8 PCS (Extra 2)</p>	<p>Bolt 8 PCS (Extra 2)</p>	<p>Spring Washer 16 PCS (Extra 2)</p>	<p>Flat Washer 16 PCS (Extra 2)</p>	<p>Allen Wrench 1 PC</p>

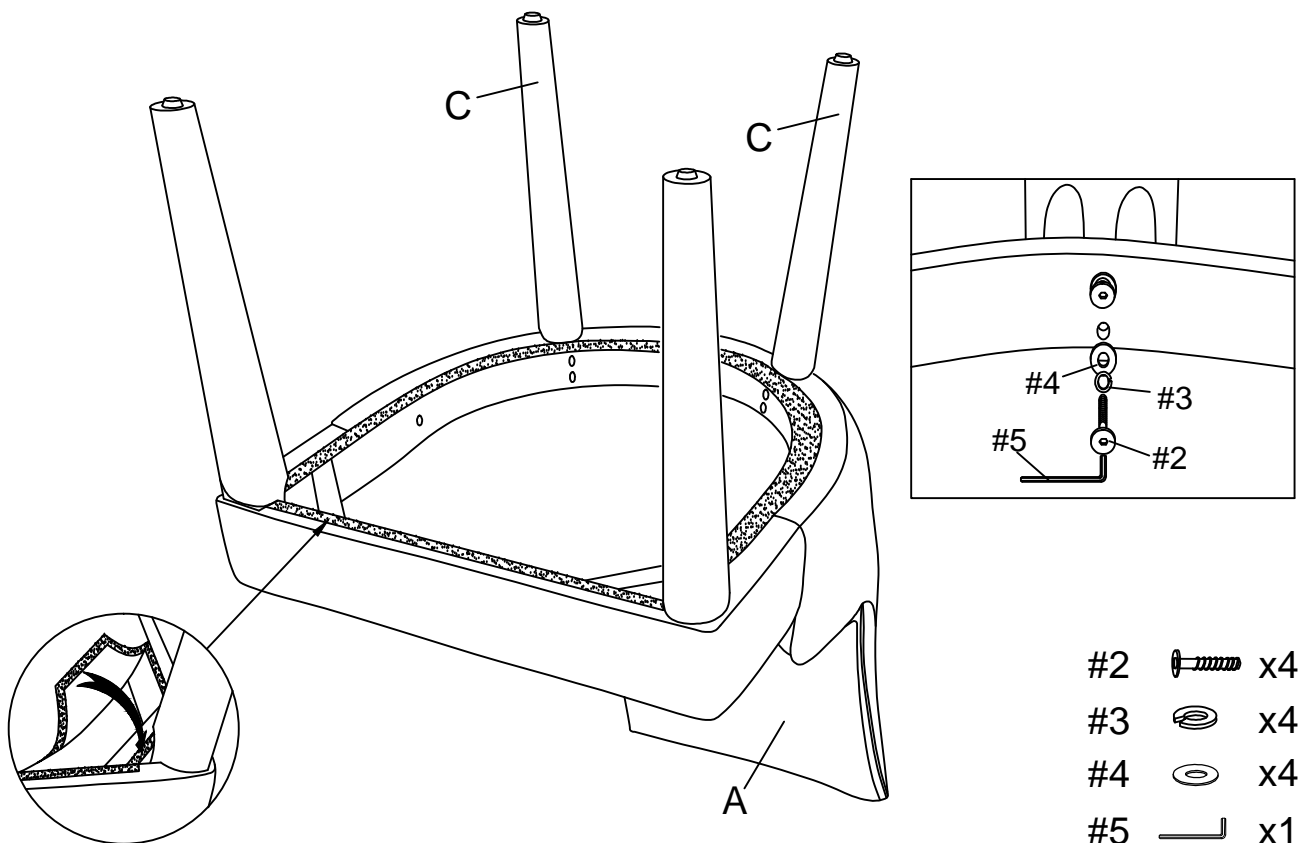
Step 1 . Attach front legs (part B) to back and seat (part A) using long bolts (part #1), spring washers (part #3), flat washers (part #4) and allen wrench (part #5).

NOTE: Please do not fully tighten bolts until unit is fully assembled.



Step 2 . Attach back legs (part C) to back and seat (part A) using bolts (part #2), spring washers (part #3), flat washers (part #4) and allen wrench (part #5).

NOTE: Please fully tighten all bolts at this time.



Step 3 . Carefully turn unit upright. Repeat steps 1-2 to assemble remaining chair.

