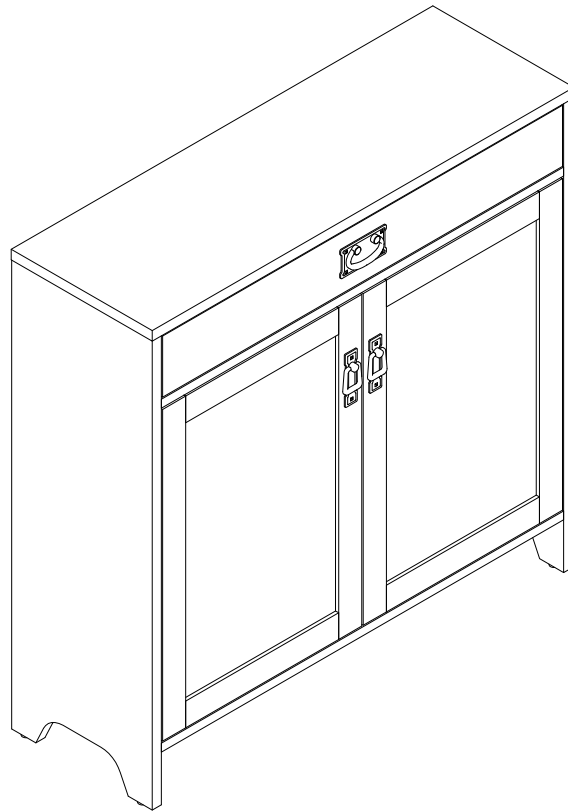
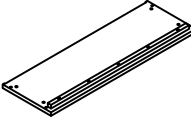
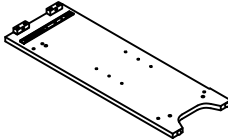
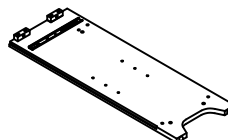
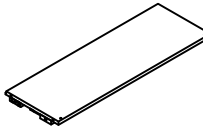
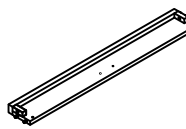
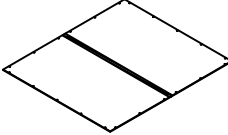
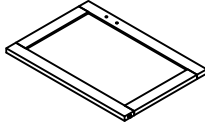
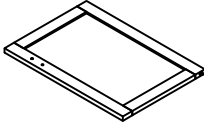
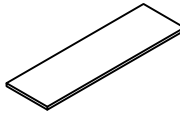
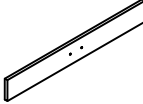
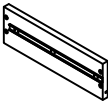
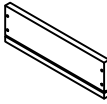
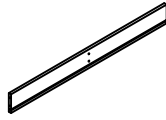
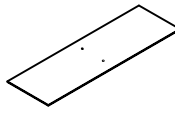
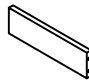








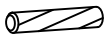
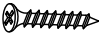
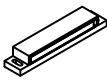



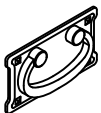




Accent Cabinet CF6124



PART LIST

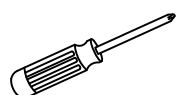
<p>A</p> 	<p>B</p> 	<p>C</p> 	<p>D</p> 	<p>E</p> 
<p>Top Panel 1 PC</p>	<p>Left Panel 1 PC</p>	<p>Right Panel 1 PC</p>	<p>Bottom Panel 1 PC</p>	<p>Rail 1 PC</p>
<p>F</p> 	<p>G</p> 	<p>H</p> 	<p>I</p> 	<p>J</p> 
<p>Back Panel 1 PC</p>	<p>Left Door Panel 1 PC</p>	<p>Right Door Panel 1 PC</p>	<p>Adjustable Shelf 1 PC</p>	<p>Drawer Front Panel 1 PC</p>
<p>K</p> 	<p>L</p> 	<p>M</p> 	<p>N</p> 	<p>O</p> 
<p>Drawer Left Panel 1 PC</p>	<p>Drawer Right Panel 1 PC</p>	<p>Drawer Back Panel 1 PC</p>	<p>Drawer Bottom Panel 1 PC</p>	<p>Drawer Split Panel 1 PC</p>

HARDWARE LIST

 $\phi 1/4 \times 1-1/4$ Short Bolt 10 PCS (Extra 1)	 $\phi 1/4$ Spring Washer 10 PCS (Extra 1)	 $\phi 1/4 \times 16$ mm Flat Washer 10 PCS (Extra 1)	 $\phi 8 \times 30$ mm Large Wood Dowel 8 PCS	 $\phi 6 \times 30$ mm Wood Dowel 2 PCS
 $\phi 8 \times 1$ " Long Screw 10 PCS (Extra 1)	 Magnet 1 PC	 $\phi 3 \times 14$ mm Round Head Screw 2 PCS	 Shelf Holder 4 PCS (Extra 1)	 $\phi 3 \times 14$ mm Screw 23 PCS (Extra 1)
 Large Handle 1 PC	 Handle 2 PCS	 $\phi 5/32 \times 15$ mm Round Head Bolt 6 PCS	 Allen Wrench 1 PC	 Safety Strap Kit 1 SET

ADDITIONAL TOOLS (Not Provided)

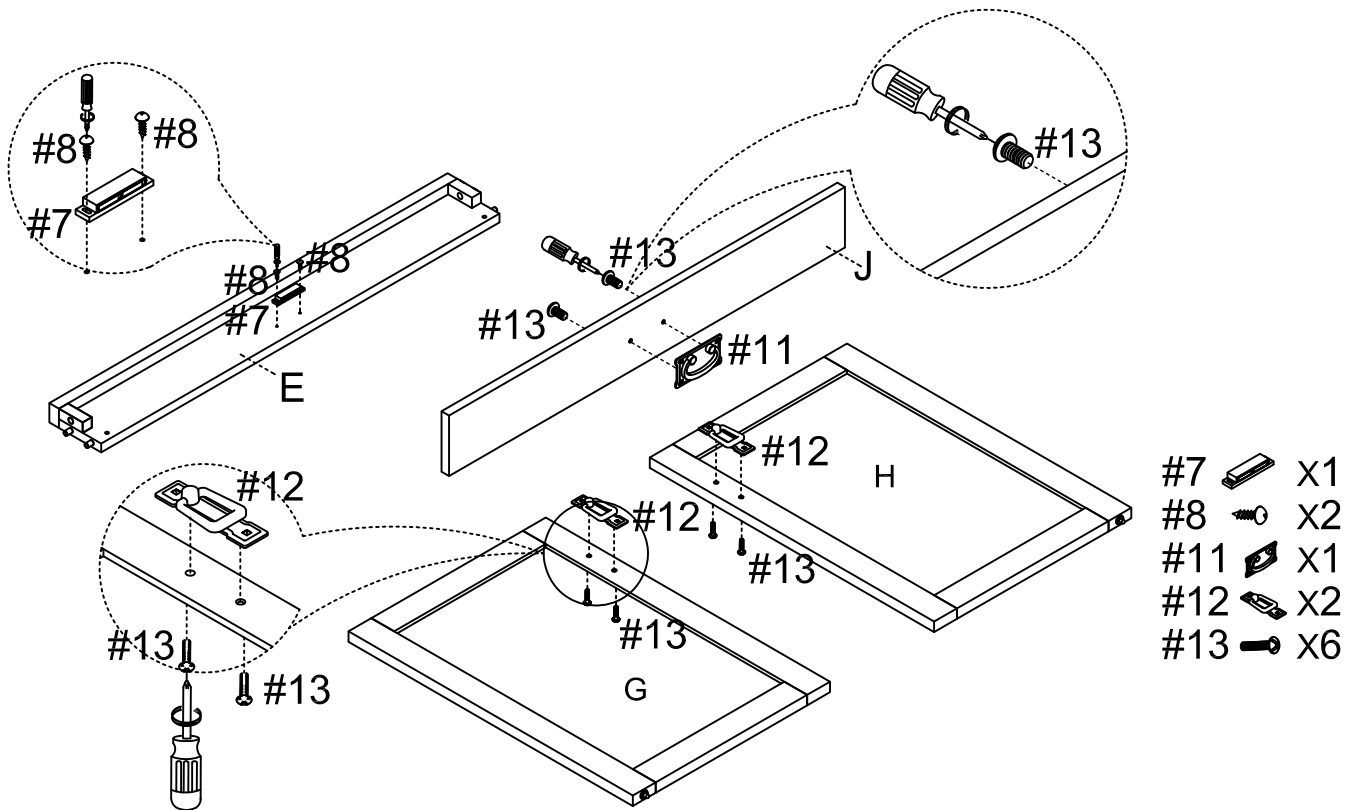
Note: It is not recommended to use power tools during assembly.



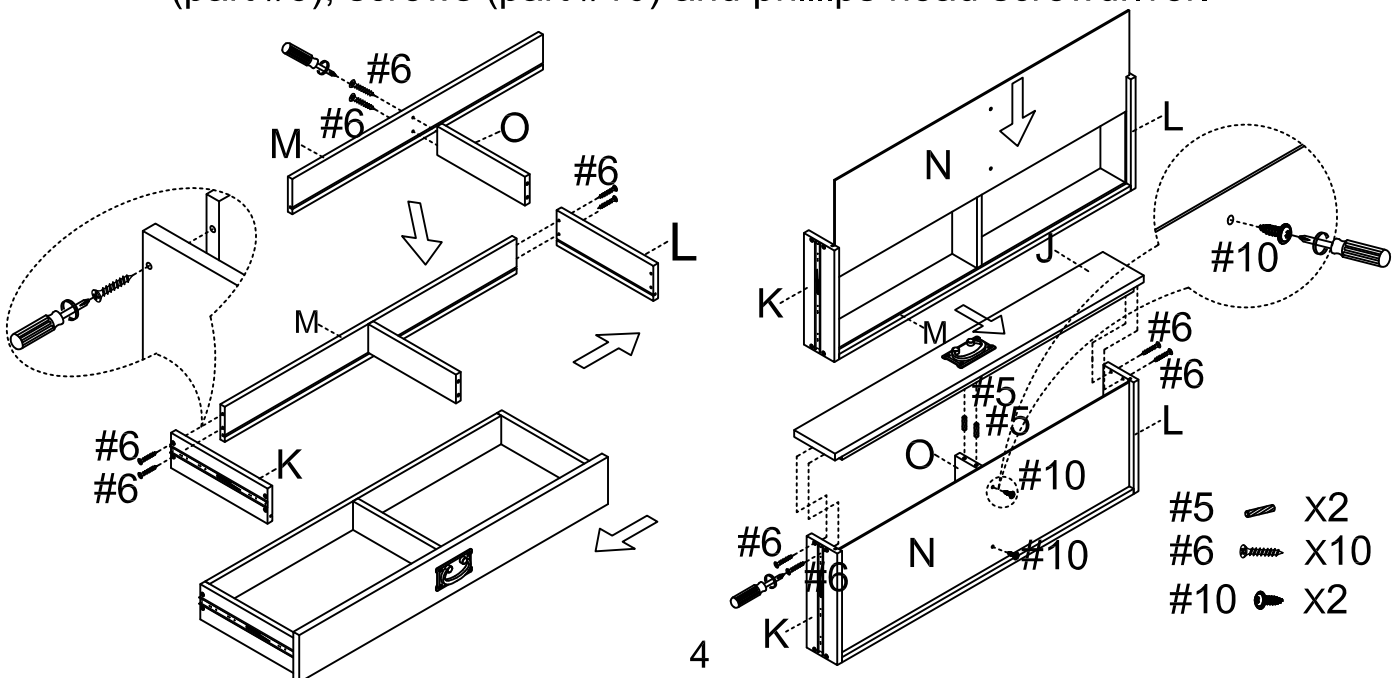
Phillips Head Screwdriver

Note: Wood dowels are intended for alignment. Additional clearance between wood dowel and pre-drilled hole is intentional for ease of assembly.

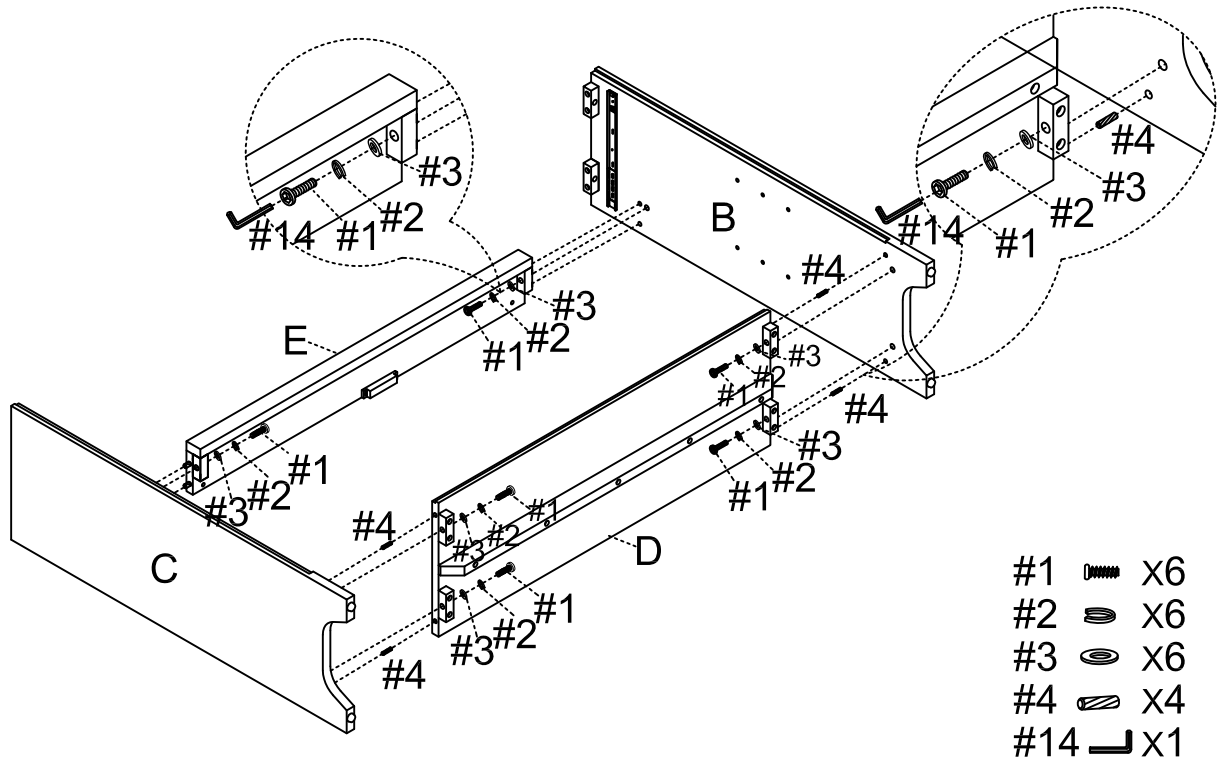
Step 1. Attach handles (parts #11 & #12) to door panels (parts G & H) and drawer front panel (part J) using round head bolts (part #13) and phillips head screwdriver. Attach magnet (part #7) to rail (part E) using round head screws (part #8) and phillips head screwdriver.



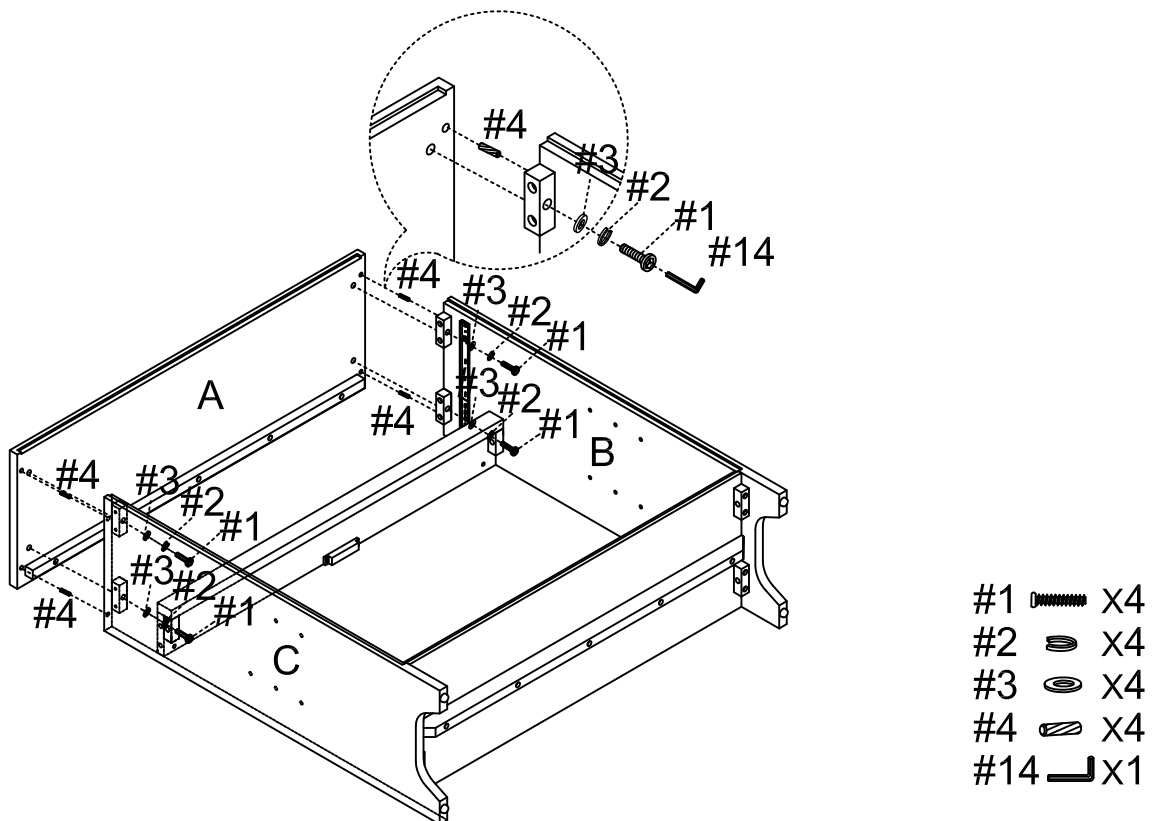
Step 2. Attach drawer back panel (part M) to drawer split panel (part O) using long screws (part #6) and phillips head screwdriver. Attach drawer panels (parts K & L) to drawer back panel (part M) using long screws (part #6) and phillips head screwdriver. Slide drawer bottom panel (part N) into the grooves of assembled unit (parts K, L & M). Attach drawer front panel (part J) to assembled unit (parts K, L & O) using long screws (part #6), wood dowels (part #5), screws (part #10) and phillips head screwdriver.



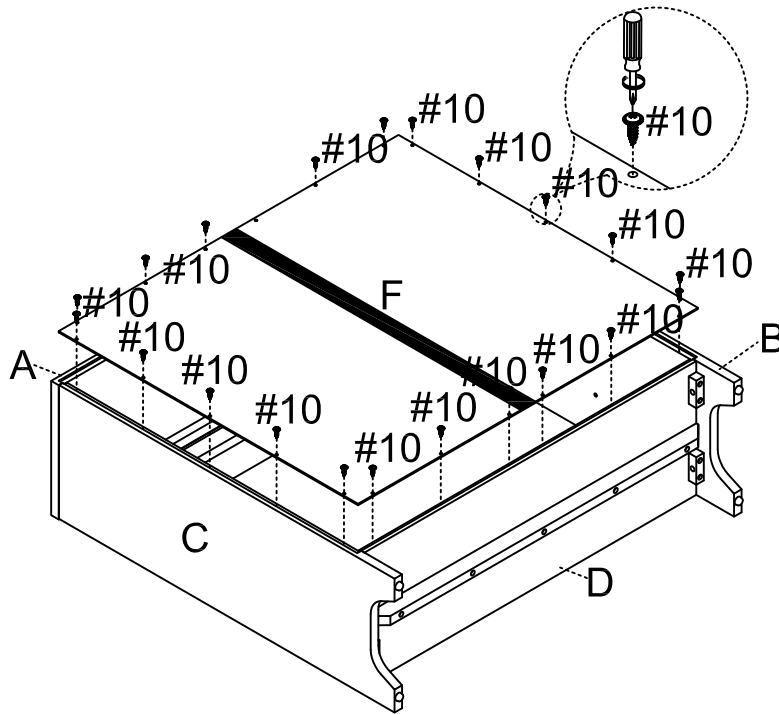
Step 3. Attach rail (part E) and bottom panel (part D) to panels (parts B & C) using large wood dowels (part #4), short bolts (part #1), spring washers (part #2), flat washers (part #3) and allen wrench (part #14).



Step 4. Attach top panel (part A) to panels (parts B & C) using large wood dowels (part #4), short bolts (part #1), spring washers (part #2), flat washers (part #3) and allen wrench (part #14).

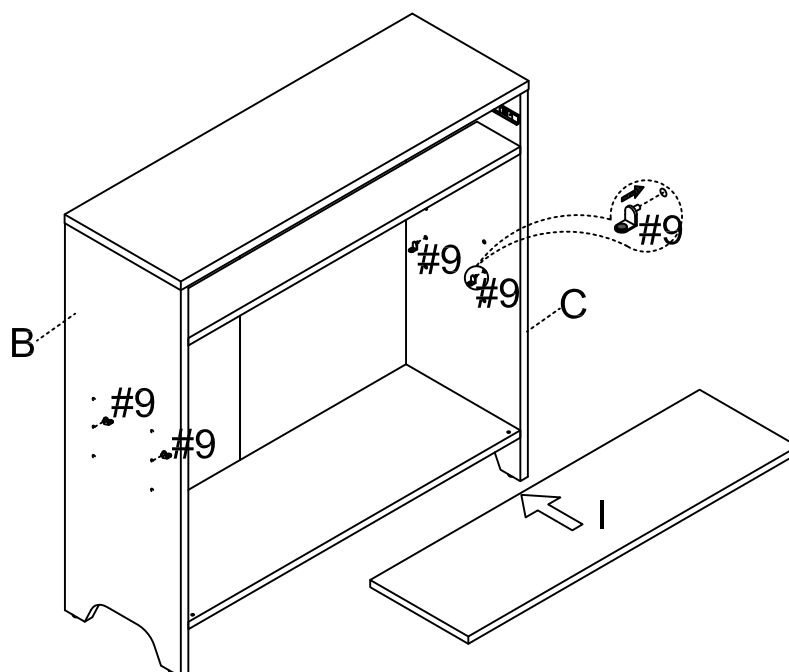


Step 5. Attach back panel (part F) to assembled unit (parts A, B, C & D) using screws (part #10) and phillips head screwdriver.



#10  x21

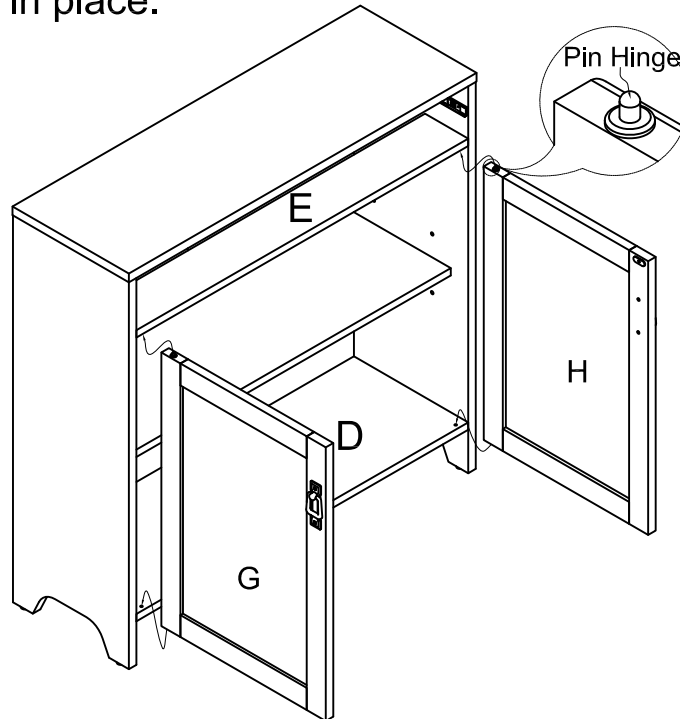
Step 6. Carefully turn unit upright. Place shelf holders (part #9) into desired position and slide adjustable shelf (part I) into place.



#9  x 4

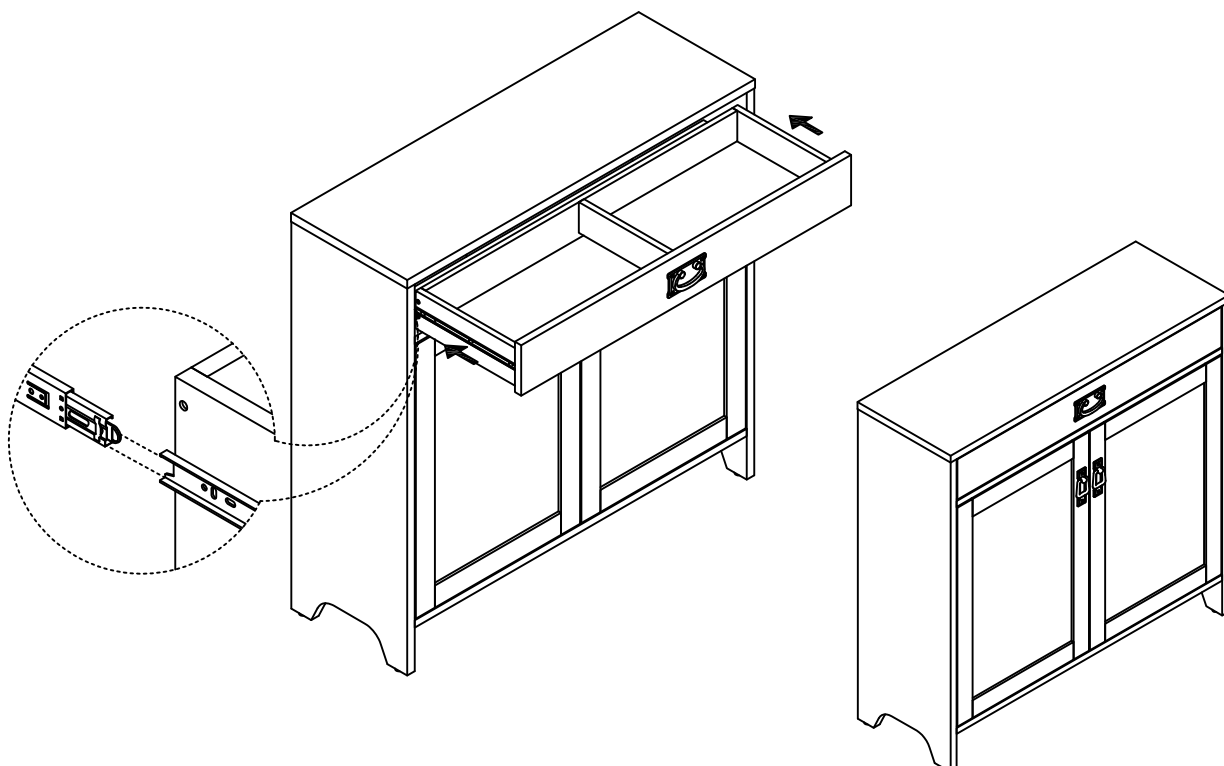
Step 7. Attach door panels (parts G & H) by placing bottom pin hinge (pre-installed in door) in the pre-drilled hole of bottom panel (part D). Then depress the top spring-loaded pin hinge so it can be placed in the pre-drilled hole of rail (part E).


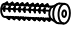




Note: Be sure top and bottom pin hinges are fully extended to secure doors in place.



Step 8. Slide assembled drawer into place.

Important: Safety strap kit (part #15) must be installed to prevent tipping, damage and/or injury.



#15	A	B	C	D	E
					
Safety Strap Kit 1 SET	Wall Anchor 1 PC	Bracket 2 PCS	5/8"x φ3xD8 Short Screw 1 PC	1-1/2"x φ4xD8 Long Screw 1 PC	Safety Wall Strap 1 PC

SAFETY WALL STRAP INSTALLATION

Note: It is highly recommended to install this safety strap kit to prevent tipping, damage and/or injury.

1. Insert short screw (C) and safety wall strap (E) through bracket (B) and attach to top panel (part A) using phillips head screwdriver.
2. Drill a 11/32" hole where you want to secure the unit. The drilled hole will be at the same height as the hole in top panel (part A) where bracket (B) is attached. Tap wall anchor (A) into the hole.
3. Insert long screw (D) and safety wall strap (E) through bracket (B) into wall anchor (A) using phillips head screwdriver.

Note: This item is not intended for clothing storage use.

