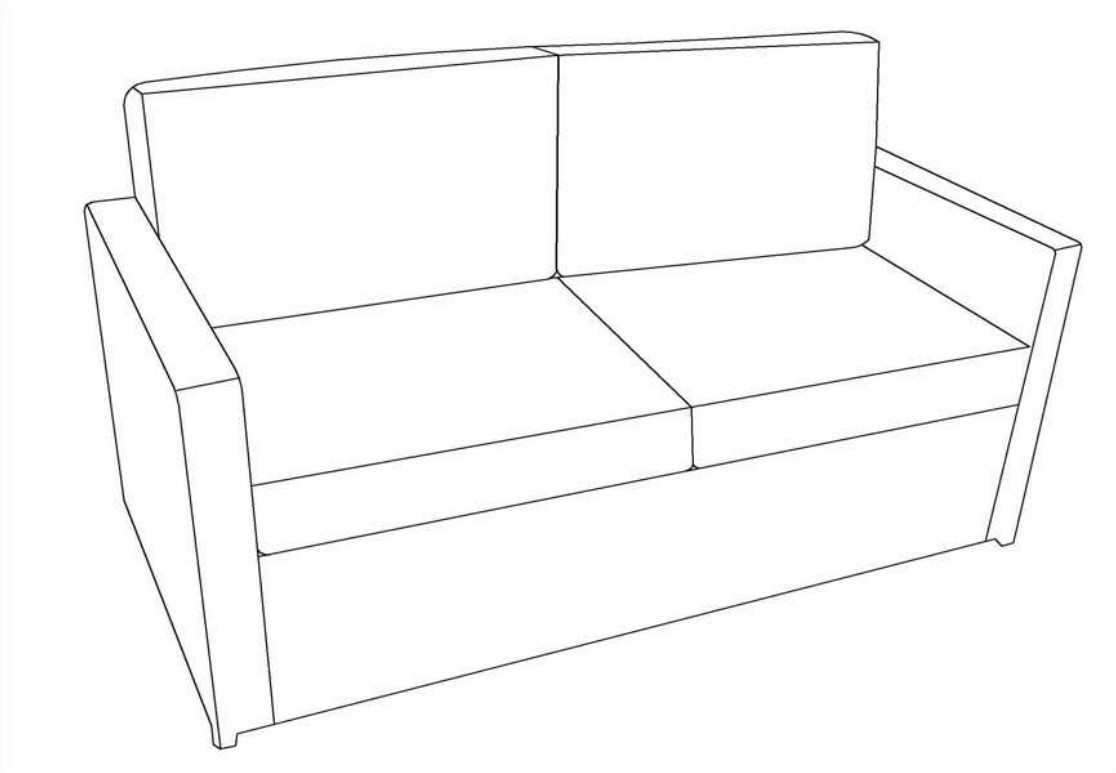


C R O S L E Y
F U R N I T U R E

OUTDOOR WICKER LOVE SEAT BROWN

CO7101-BR



C R O S L E Y

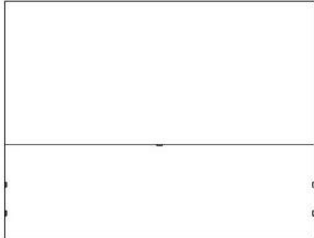

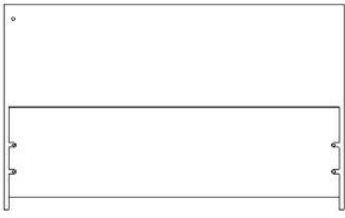

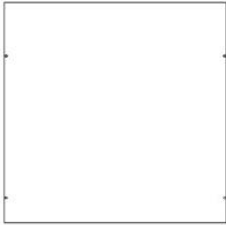
F U R N I T U R E

Congratulations! You have purchased a stylish piece of Crosley Furniture. We strive to provide fine furniture products, built with quality materials and hand finished details. Please carefully follow the assembly instructions to ensure your furniture is assembled correctly to provide long lasting enjoyment.

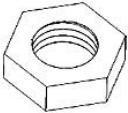

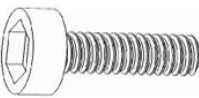
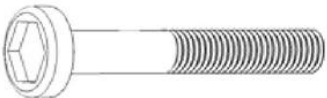


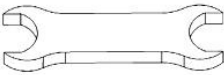

Should you experience any missing or damaged parts, **do not return to the store.** Please contact us directly at 800-815-4796.

Care: Use a soft clean cloth that will not scratch the surface when dusting. Use of furniture polish is not necessary. Should you choose to use polishes, test in an inconspicuous area first. Use of solvents of any kind may damage your furniture's finish. To clean, simply use a soft clean cloth moistened with lukewarm water, then buff with a dry soft clean cloth.

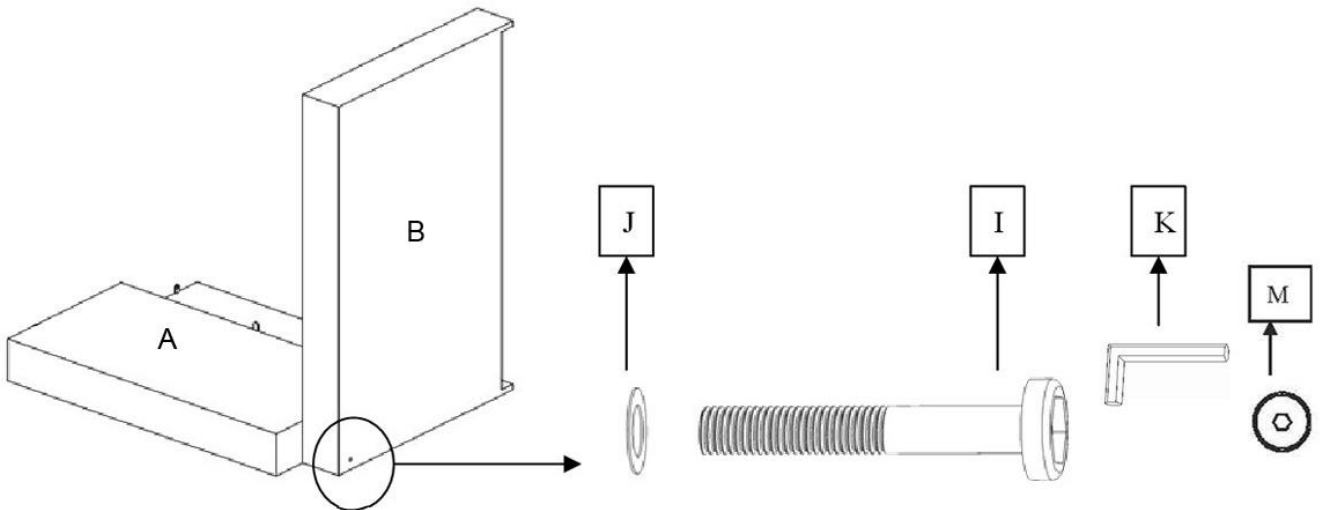
PART LIST

					
Back Panel		Left Arm Panel		Right Arm Panel	
A	1pc	B	1pc	C	1pc
					
Lower Front Panel		Seat Panel			
D	1pc	E	1pc		

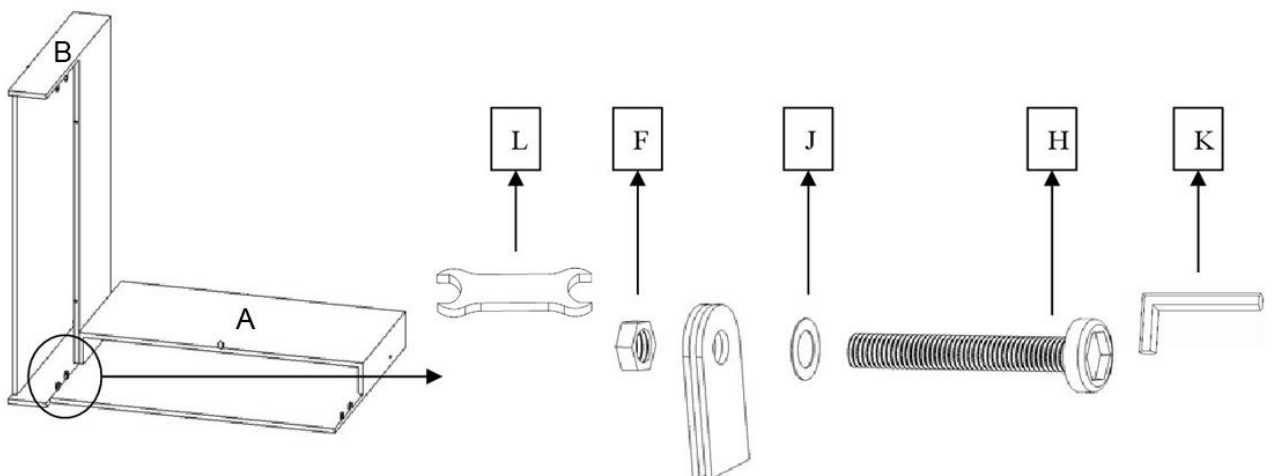
HARDWARE LIST

							
M6mm Nut		Short Bolt		Medium Bolt		Long Bolt	
F	8pcs	G M6x15mm	5pcs	H M6x30mm	8pcs	I M6x100mm	2pcs
							
M6mm Washer		M6mm Allen Key		M6mm Wrench		Bolt cap	
J	15pcs	K	1pc	L	1pc	M	2pcs

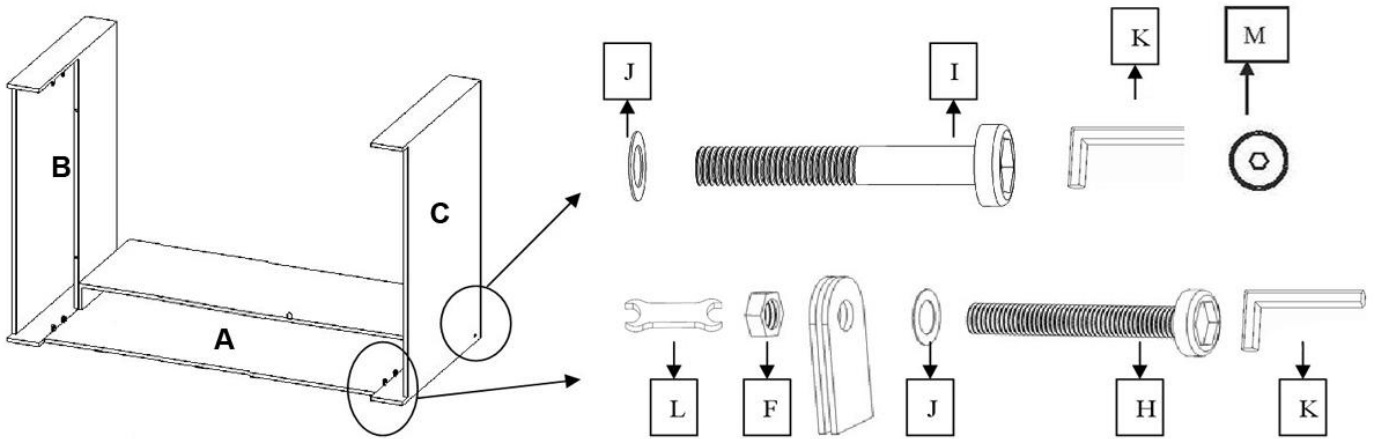
Step 1. Lay Back Panel A down on a flat surface. Attach Left Arm Panel (B) through the hole on the top side of the arm panel using the Long Bolt (I) & Washer (J) and Allen Key (K). using the Bolt Cap(M) cover the Long Bolt(I).



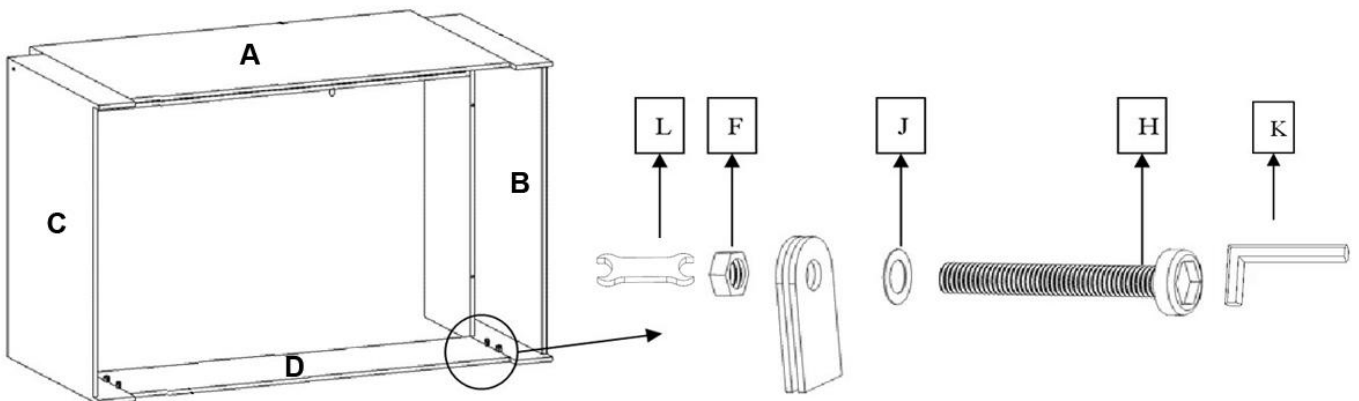
Step 2. Now attach Left Arm Panel (B) to Back Panel (A) using Washer (J), Medium Bolt (H), Nut (F), Allen Key (K), and Wrench (L) through the brackets on the inside of the frame.



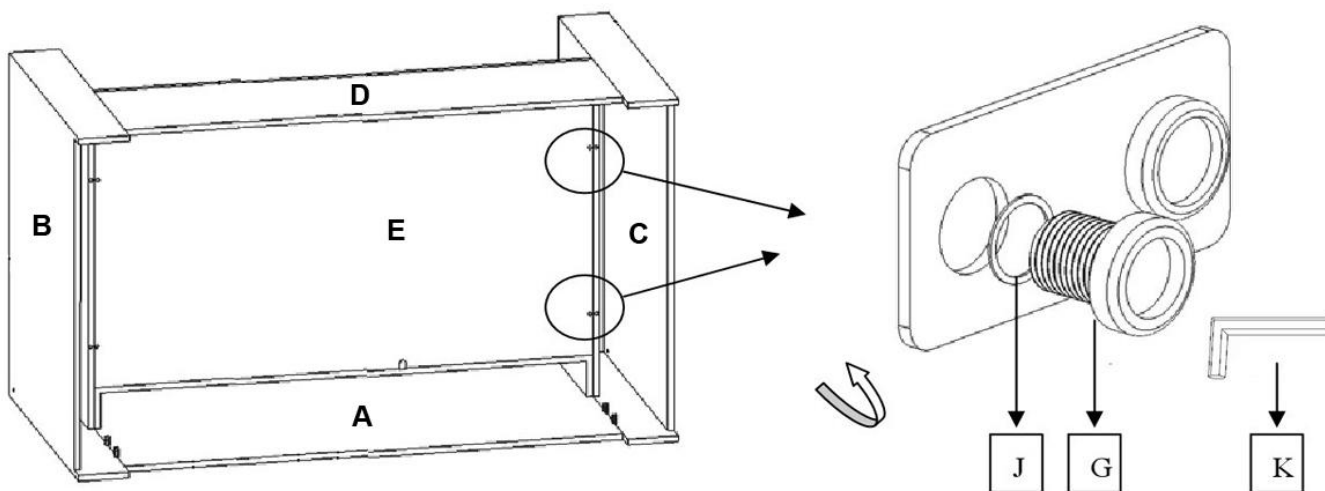
Step 3. Repeat Steps 1 & 2 to attach Side Panel (C) to Back Panel (A).
using the Bolt Cap(I) cover the Long Bolt(I).



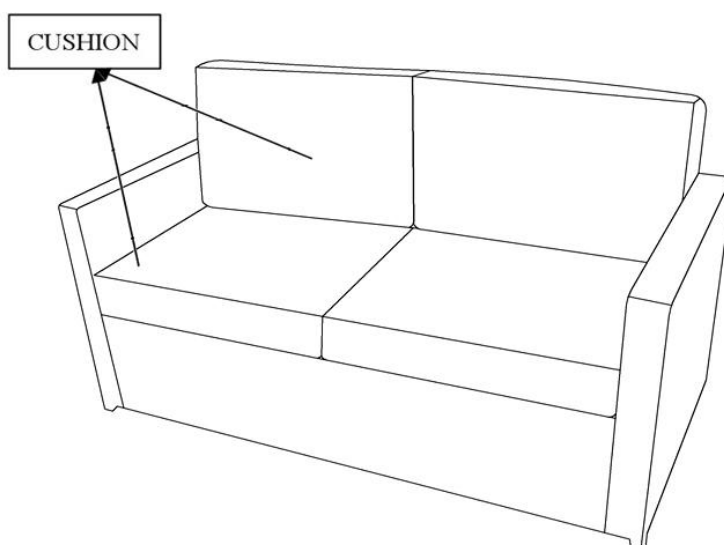
Step 4. Turn assembled parts (A, B & C) over with Back Panel (A) facing up. Attach Lower Front Panel (D) to Left & Right Arm Panels (B & C) using Medium Nuts (F), Medium Bolts (H), Washers (J), Allen Key (K) & Wrench (L).



Step 5. Turn assembled parts (A, B, C & D) over with Back Panel (A) on a flat surface. From the underside of the assembled pieces, attach Seat Panel (E) to the frame using Short Bolt (G), Washer (J) & Allen Key (K).



Step 6. Turn the assembled Loveseat upright on a flat surface. Add the Seat and Back Cushions. Congratulations! You are finished.



C R O S L E Y

F U R N I T U R E

Limited Manufacturers Warranty

Crosley Furniture Products are warranted against defects in material and workmanship for a period of 90 days beginning from the date of sale. Should any parts be missing or defective, we will replace or repair the parts for a period of 90 days from the date of purchase.

Should you experience any missing or damaged parts, do not return to the store. Please contact us directly at 800-815-4796 from 9 AM to 5 PM (EST) Monday to Friday.

This warranty gives the purchaser specified legal rights in addition to any rights which may vary from state to state.

In accordance with the "Moss-Magnuson Warranty Act" of July 10, 1975, this is termed a "limited warranty" which in no way compromises Crosley Furniture's high standards of Quality and Workmanship.