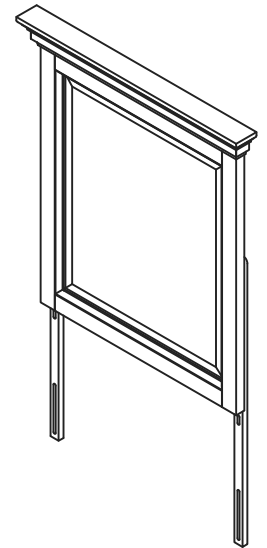


# 88 5523 78

## Mirror



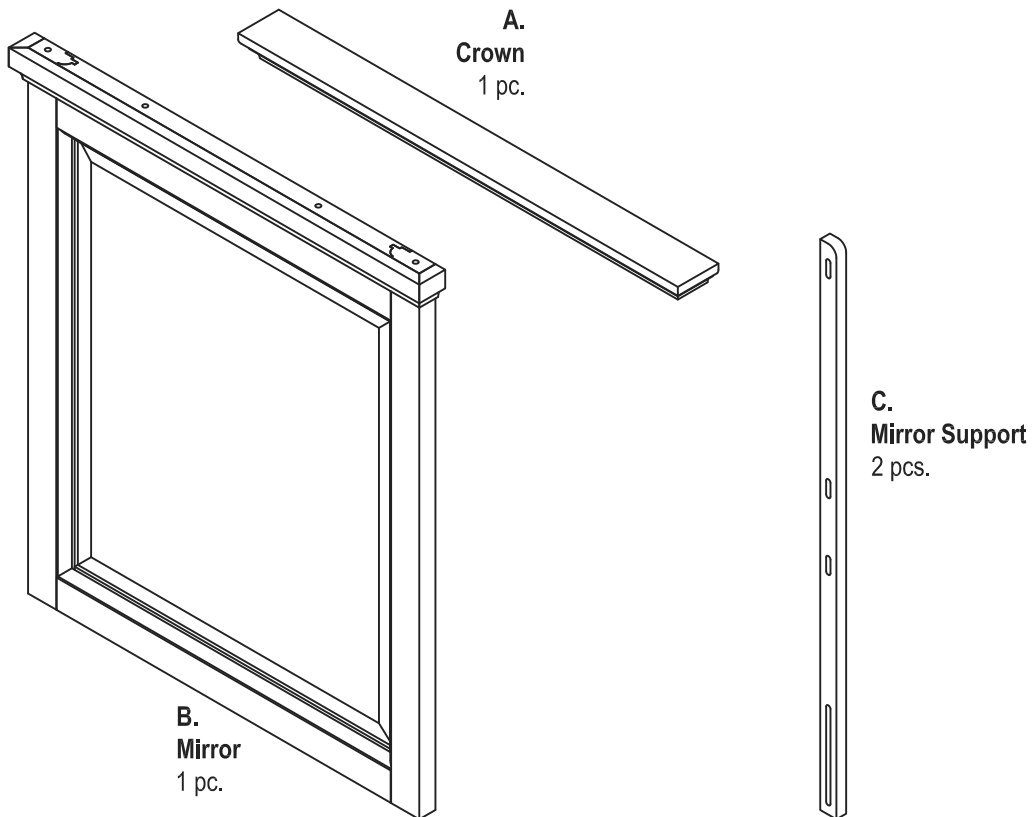
### IMPORTANT NOTE

Carefully remove all the parts from the carton and put them individually on a soft cloth to prevent scratches or other damages occurring to the wood parts.

We have taken great care in the design of this product and request that you carefully and strictly follow our assembly instructions to ensure a completed product as it was designed.

*Home Styles*

## Part List



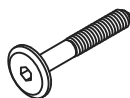
## Hardware List



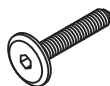
Cam Lock Screw  
4 pcs. (+2 extra)



Cam Lock  
4 pcs. (+2 extra)



(M6x40)  
Head Cap Bolt (Long)  
4 pcs. (+1 extra)



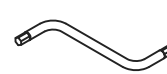
(M6x30)  
Head Cap Bolt (Short)  
4 pcs. (+1 extra)



Spring Washer  
8 pcs. (+1 extra)



Flat Washer  
8 pcs. (+1 extra)



Key Wrench  
1 pc.



Small Key Wrench  
1 pc.

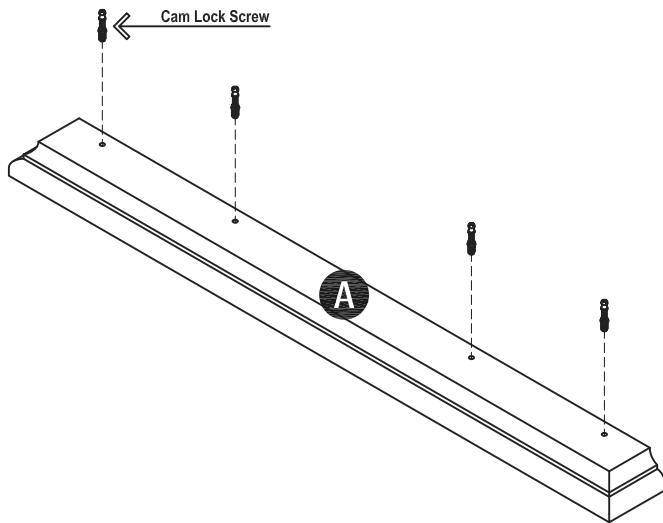
Tools Required For Assembly : Phillips screwdriver

## Assembly Instructions 2/3

### IMPORTANT

- \* Do not tighten up all the bolts until each part is properly assembled.
- \* You should keep Key Wrench in a safe place as you may need to tighten up the Head Cap Bolts in the future.
- \* Use a soft cloth between these parts and the floor.

### STEP 1



Insert Cam Lock Screws into the pre-drilled holes of Crown (A).

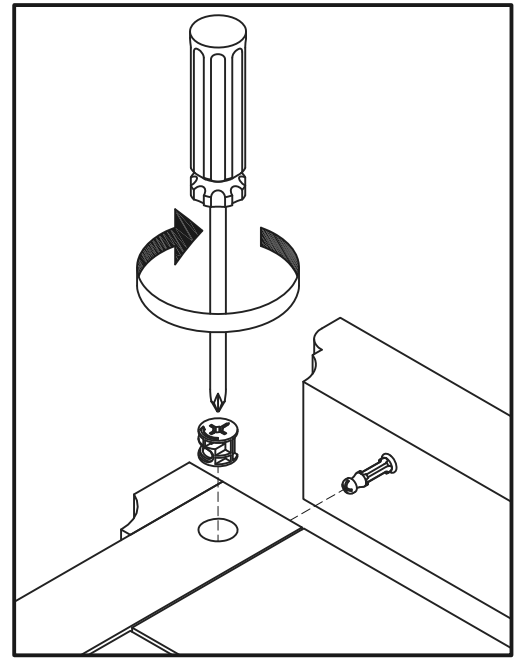
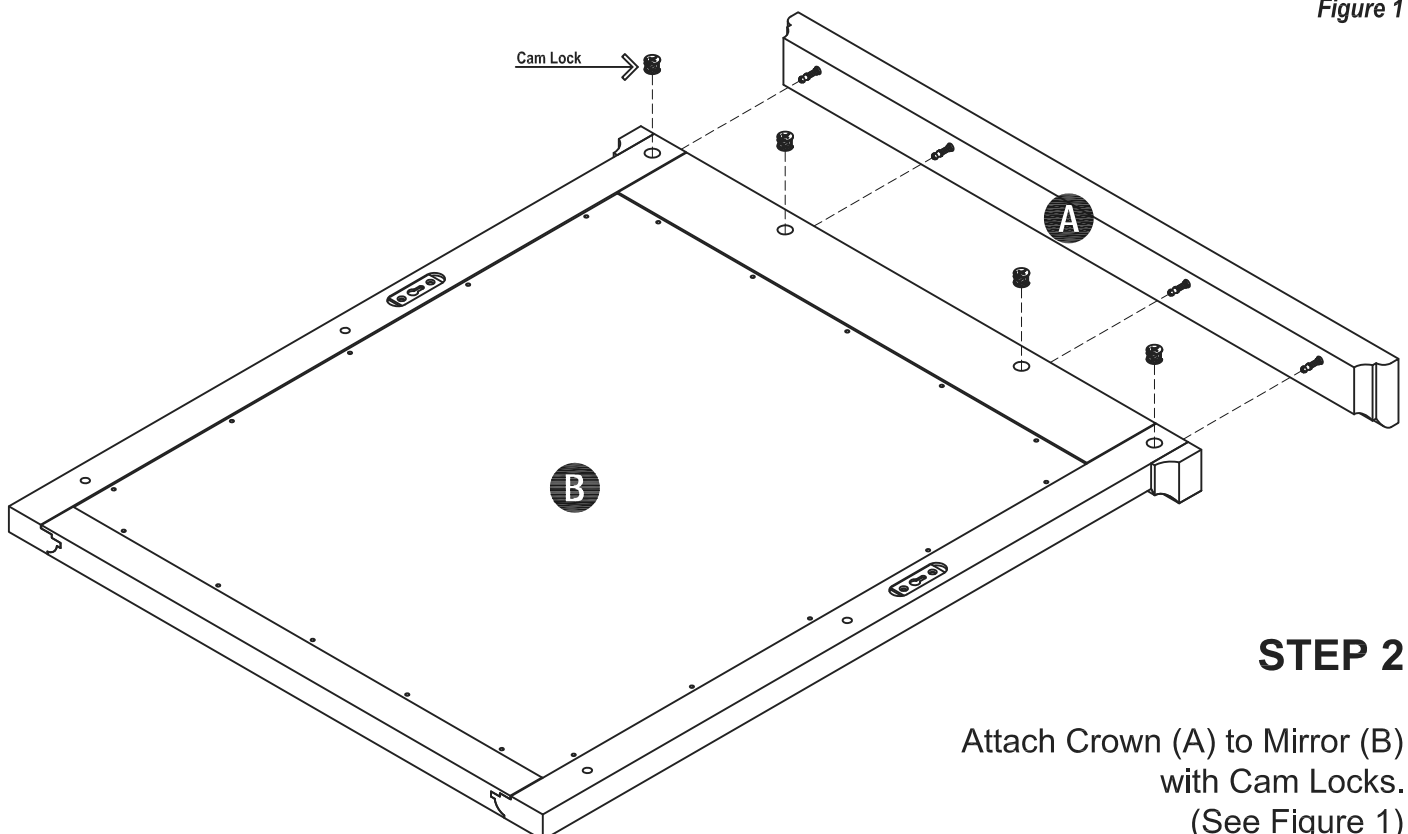


Figure 1

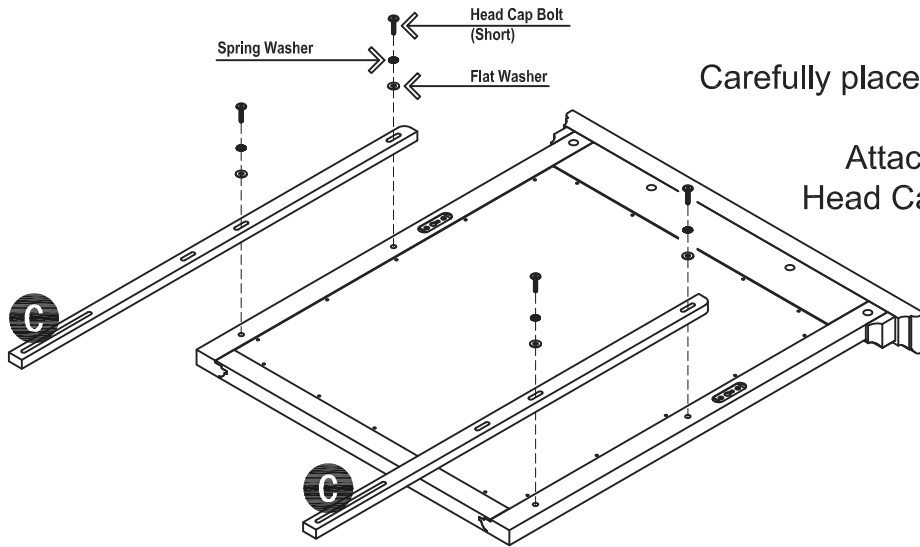


### STEP 2

Attach Crown (A) to Mirror (B) with Cam Locks.  
(See Figure 1)

# Assembly Instructions 3/3

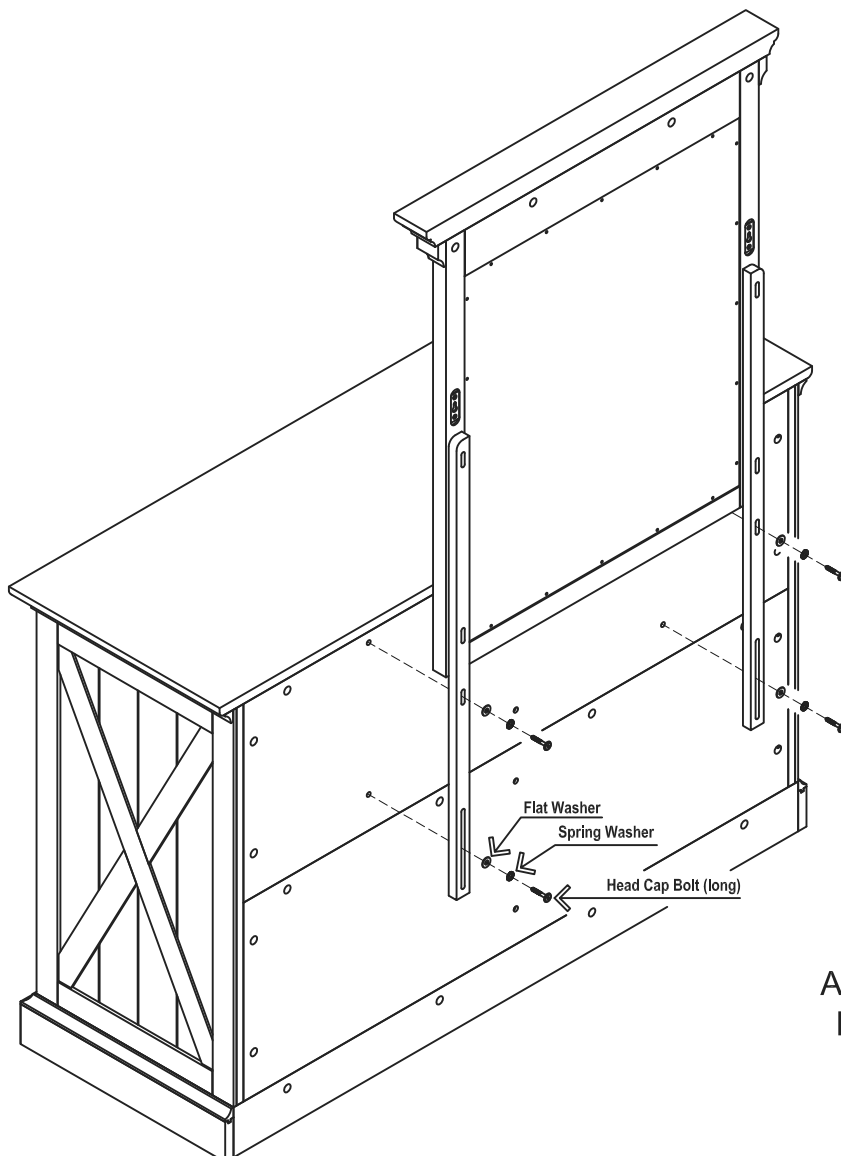
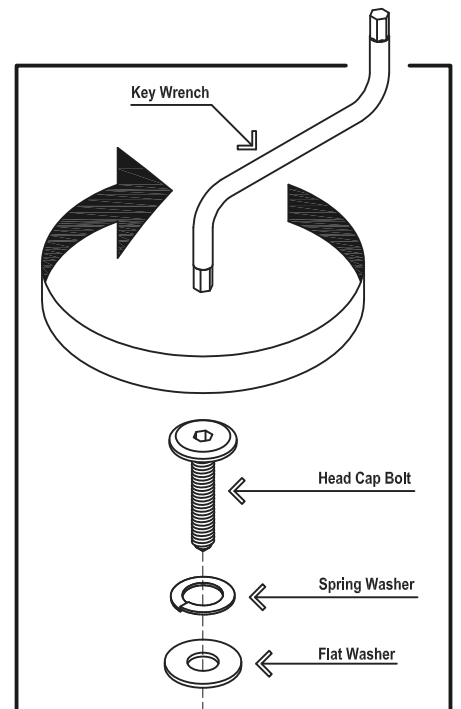
## STEP 3



Carefully place Mirror face down on a soft cloth.

Attach Mirror Supports (C) to unit with Head Cap Bolts (Short), Spring Washers and Flat Washers.

Tighten with Key Wrench.  
(See Figure 1)



## STEP 4

Attach Mirror to Dresser with Head Cap Bolts (Long), Spring Washers and Flat Washers.

Tighten with Key Wrench.

# VERY IMPORTANT !!

## CARE INSTRUCTIONS

### NEVER

USE GLASS CLEANERS ON FINISHED FURNITURE. AMMONIA WILL CHEMICALLY ATTACK THE FINISH.

### NEVER

ALLOW LIQUIDS OF ANY KIND TO REMAIN ON THE FURNITURE. ABSORPTION CAUSES PART TO WARP AND SPLIT AND FINISHES TO DELAMINATE.

DO NOT WRITE DIRECTLY ON SURFACE.



**PREVENT MARKING**

DO NOT PLACE IN DIRECT SUNLIGHT.



**PREVENT FADING**

DO NOT USE COMMERCIAL WAXES AND POLISHES.



**PREVENT YELLOWING**

DO NOT PLACE HOT OBJECTS ON SURFACE.



**PREVENT FINISH DAMAGE**

DO NOT USE RUBBER BASED PLACE MATS.



**PREVENT DISCOLORING**

## TO CLEAN

USE A SOFT CLOTH MOISTENED IN LUKEWARM SOAP AND WATER, THEN BUFF WITH A DRY CLEAN CLOTH.



Home Styles will provide replacements free of charge for missing or damaged hardware or parts within 30 days of purchase. Digital images of the defective parts may be required. If this product was not purchased from an authorized retail affiliate, Home Styles is under no obligation to provide replacement parts. Parts are not available for fully assembled items nor are parts available for sale. Replacements for missing or damaged hardware or parts may be requested at:

[www.homestyles-furniture.com/customer\\_service](http://www.homestyles-furniture.com/customer_service)

[serviceesk@kitchensource.com](mailto:serviceesk@kitchensource.com)

**kitchensource.com**

1.800.667.8721

10, 011-031-0319