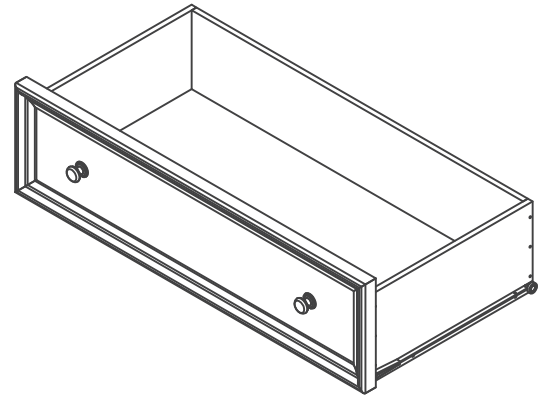
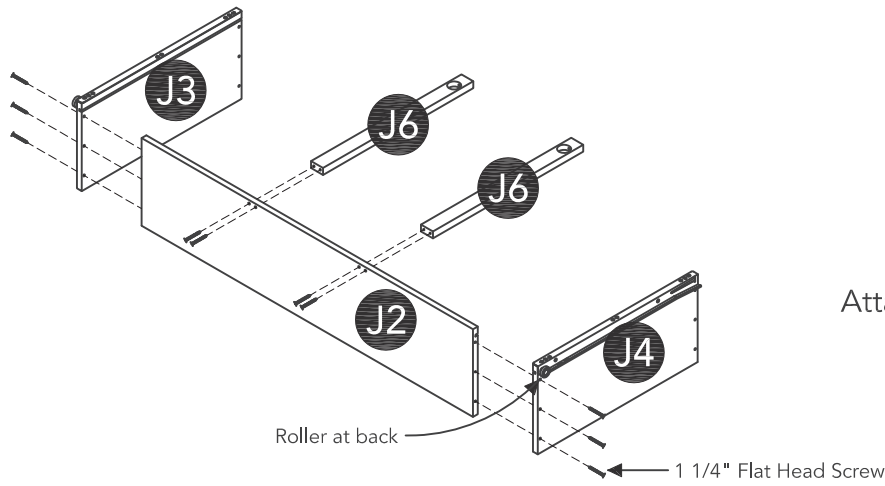


# Assembly Instructions 6/9

## Drawer (J)



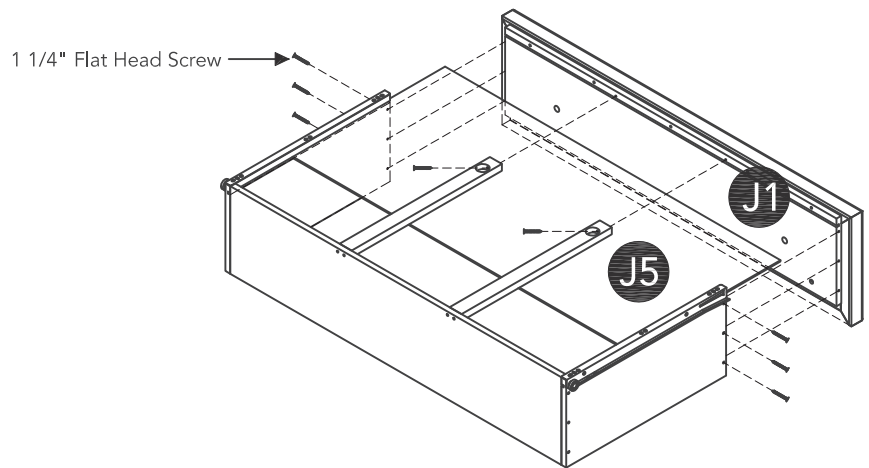
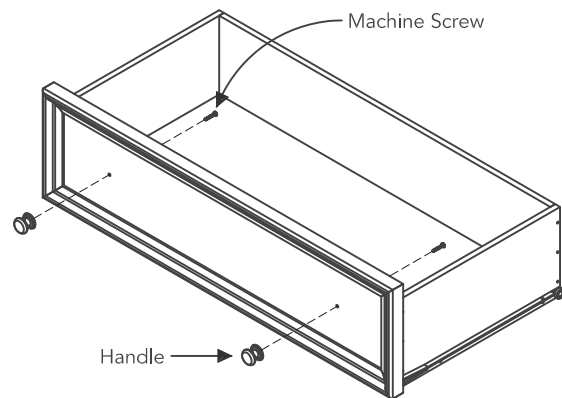
### STEP 8

Attach Drawer Sides (J3), (J4) and Drawer Supports (J6) to Drawer Back (J2) with 1 1/4" Flat Head Screws.

### STEP 9

Insert Drawer Bottom (J5) into groove.

Attach Drawer Front (J1) to unit with 1 1/4" Flat Head Screws.

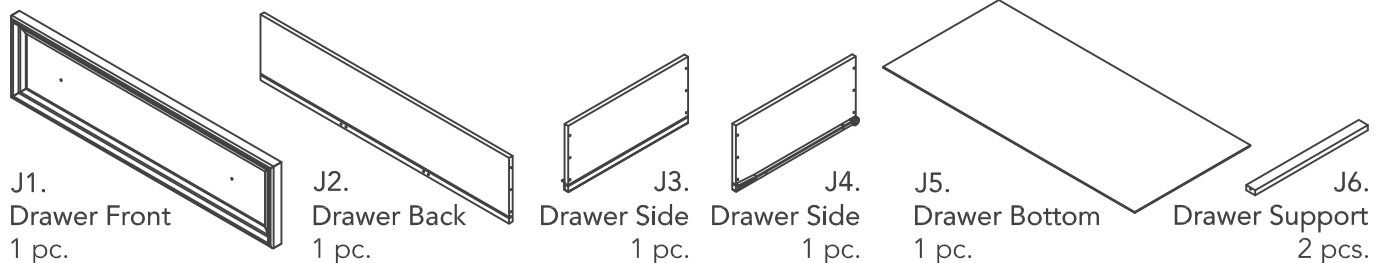


### STEP 10

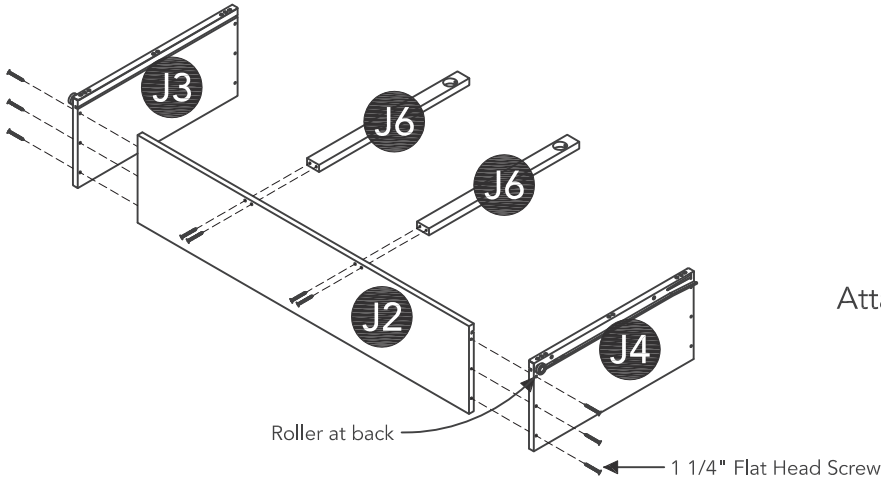
Attach Handles with Machine Screws.

Note: Drawer assembly is not complete until 3/4" Flat Head Screws are installed in a later step.

### Part List



# Drawer (K)



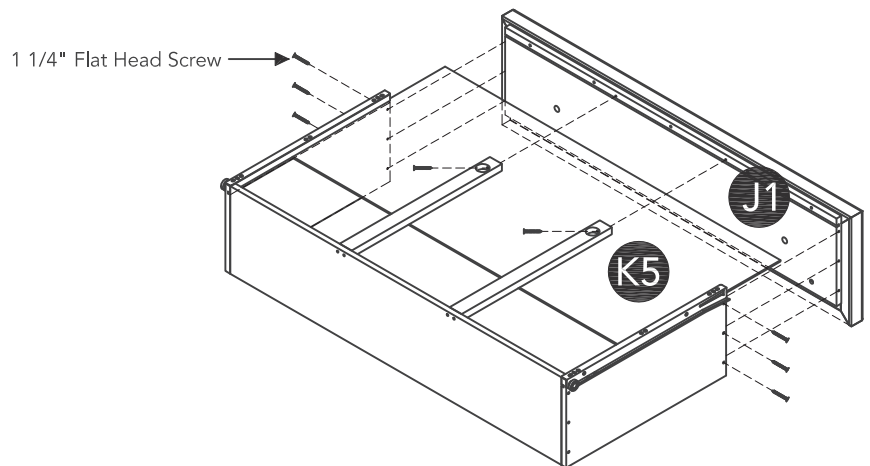
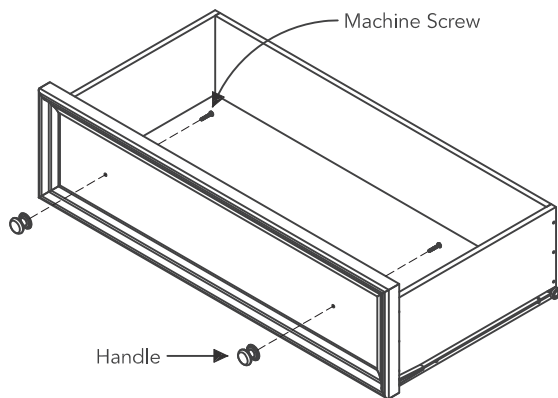
## STEP 11

Attach Drawer Sides (J3), (J4) and Drawer Supports (J6) to Drawer Back (J2) with 1 1/4" Flat Head Screws.

## STEP 12

Insert Drawer Bottom (K5) into groove.

Attach Drawer Front (J1) to unit with 1 1/4" Flat Head Screws.

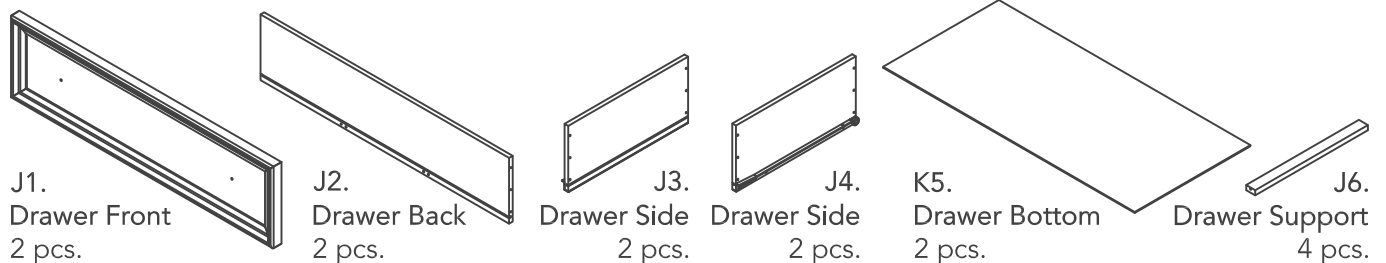


## STEP 13

Attach Handles with Machine Screws.

Note: Drawer assembly is not complete until 3/4" Flat Head Screws are installed in a later step.

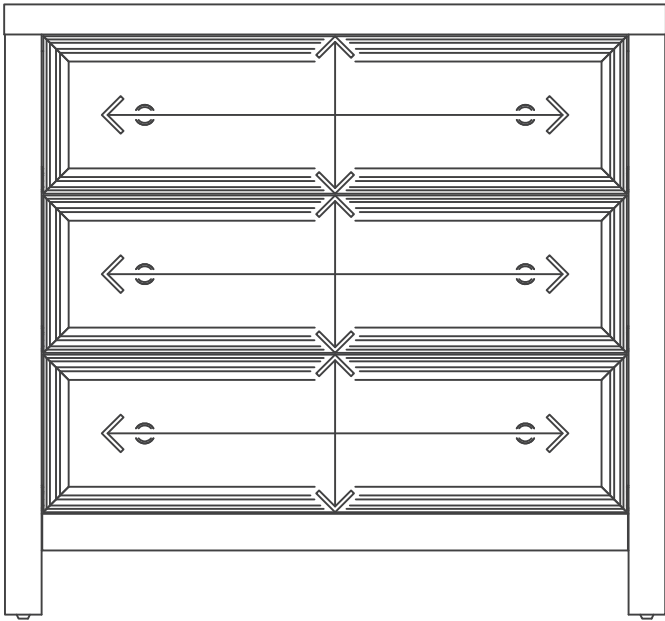
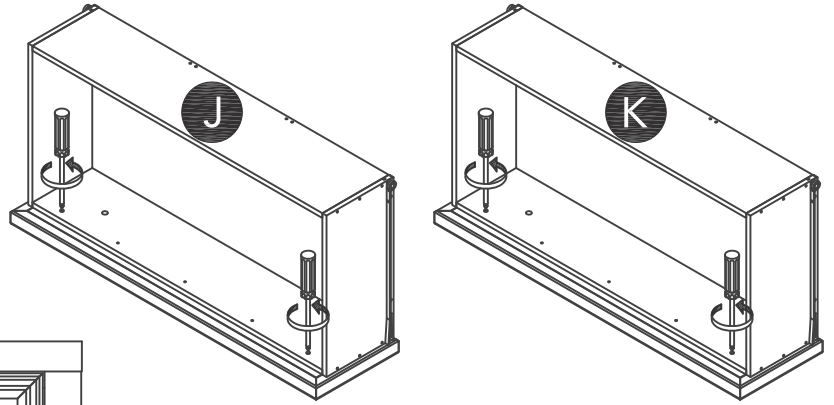
## Part List



## Assembly Instructions 8/9

### STEP 14

Loosen slightly the screws pre-installed on back of drawer fronts.



### STEP 15

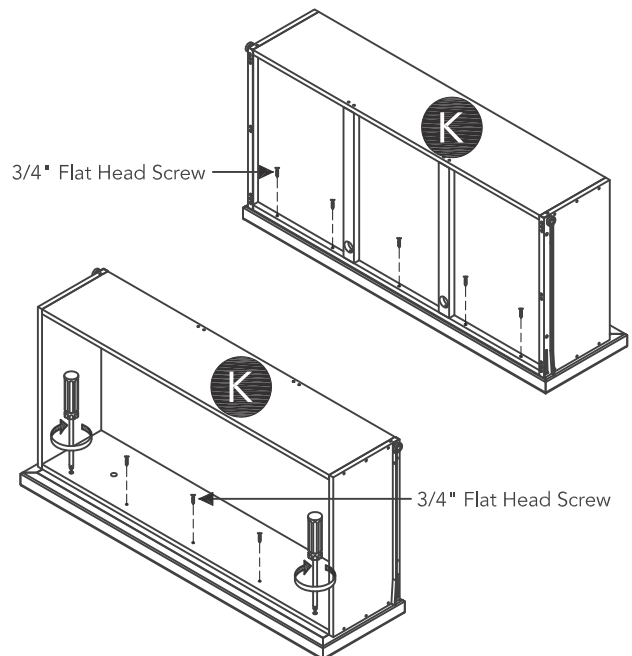
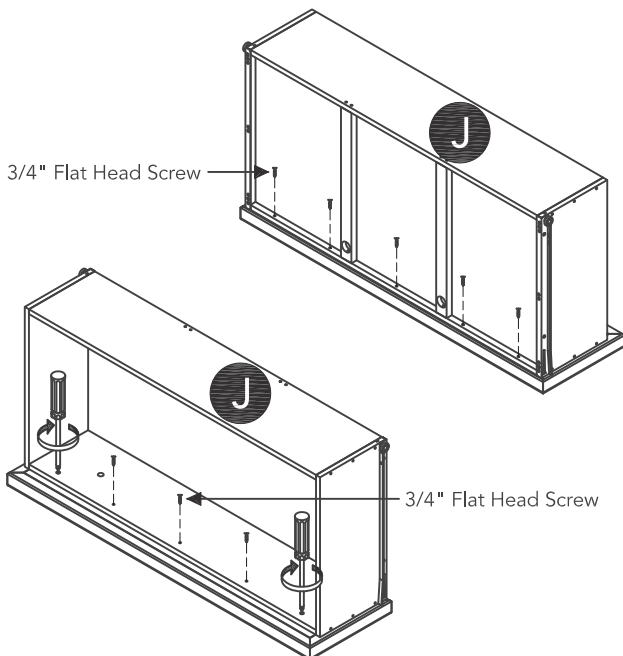
Insert drawers into unit, then adjust drawer front panels left or right and up or down until drawer gaps look proportional.

### STEP 16

Pull each drawer open slowly and re-tighten screws from Step 14.

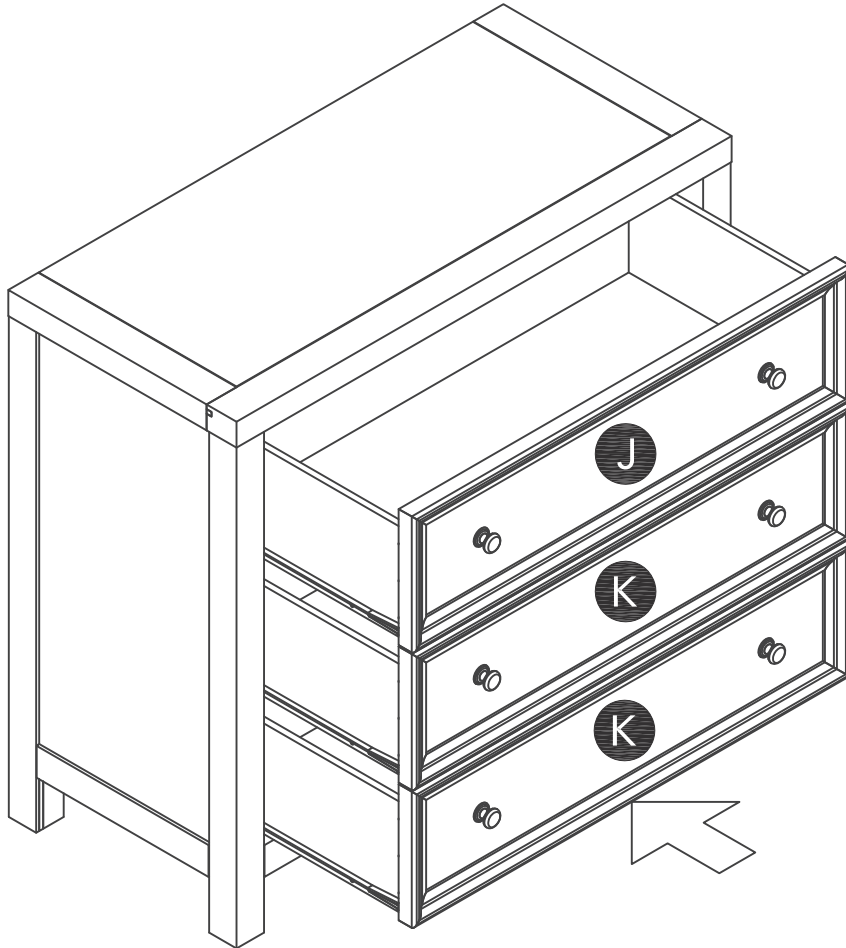
Make sure drawer front panels do not move and lock drawer front panels into position with 3/4" Flat Head Screws.

Note: These 3/4" Flat Head Screws must be installed to complete the drawer assembly.



STEP 17

Slide Drawers (J) and (K) into place.



# CARE INSTRUCTIONS

## NEVER

allow liquids to remain on furniture.  
Absorption causes parts to warp  
and split and finishes to delaminate.

## NEVER

use glass cleaners on  
finished furniture. Ammonia  
chemically attacks the finish.



Do not use power tools  
above 8 volts to assemble.

**PREVENT  
CRACKING**



Do not place  
in direct sunlight.

**PREVENT  
FADING**



Do not write  
directly on surface.

**PREVENT  
MARKING**



Do not place hot  
objects on surface.

**PREVENT  
FINISH DAMAGE**



Do not use rubber  
based placemats.

**PREVENT  
DISCOLORING**



Do not use commercial  
waxes and polishes.

**PREVENT  
YELLOWING**

## CLEAN

with a soft cloth moistened  
in lukewarm soap and water.  
Buff with a dry clean cloth.



Home Styles will provide replacements free of charge for missing or damaged hardware or parts within 30 days of purchase. Digital images of the defective parts may be required. If the product was not purchased from an authorized retail affiliate, Home Styles is under no obligation to provide replacement parts. Parts are not available for fully assembled items nor are parts available for sale. Replacements for missing or damaged hardware or parts may be requested at:

[www.homestyles-furniture.com/customer-service/replacement-parts](http://www.homestyles-furniture.com/customer-service/replacement-parts)

Home Styles Customer Service: [www.homestyles-furniture.com](http://www.homestyles-furniture.com),  
[servicedesk@homestyles-furniture.com](mailto:servicedesk@homestyles-furniture.com), 888-680-7460, 877-831-0319