

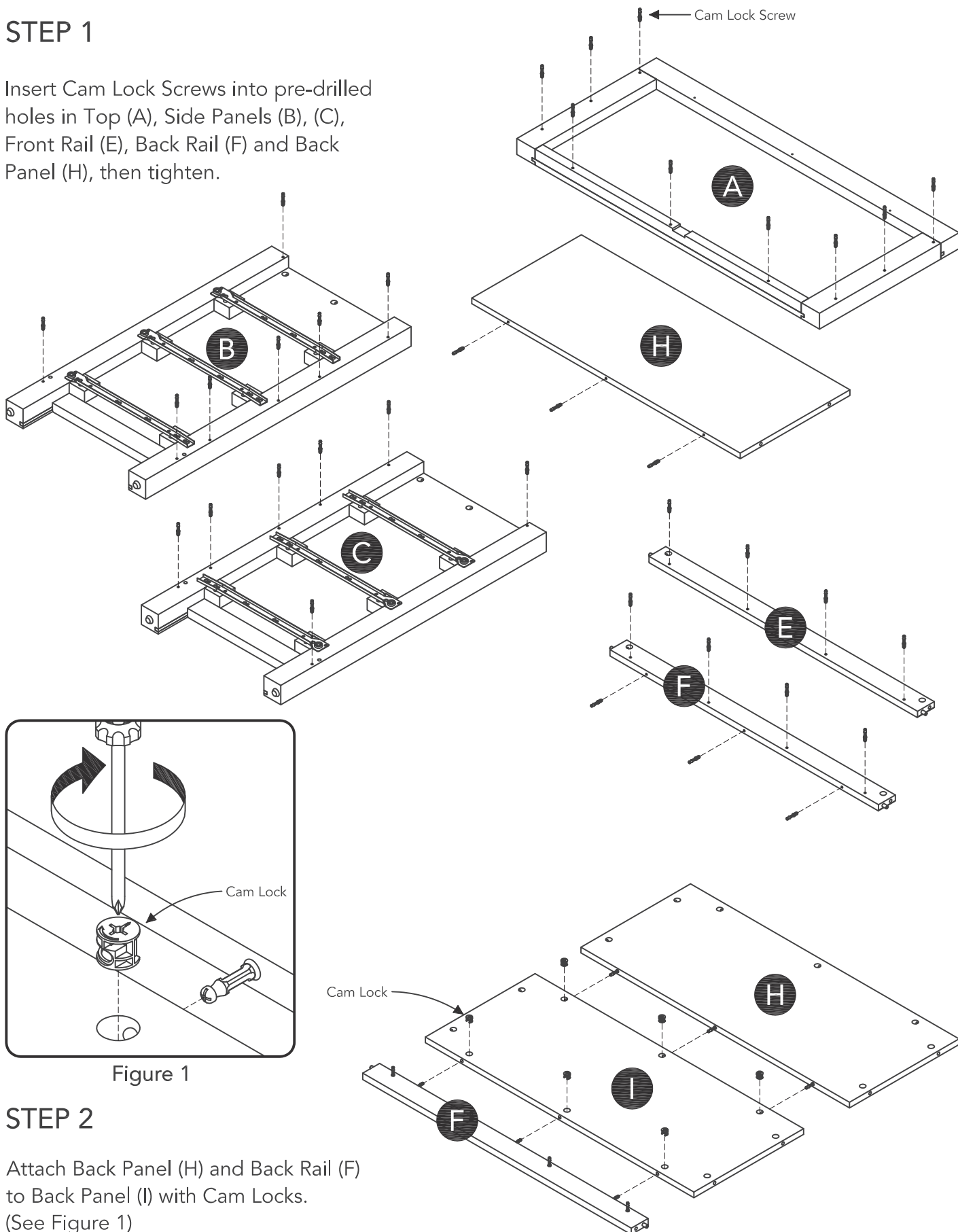
Assembly Instructions 2/9

IMPORTANT

- Use a soft cloth between these parts and the floor.
- Do not use power tools above 8 volts to assemble.
- Do not tighten all the screws until each part is properly assembled.
- The unit must be level to work properly. Use the included adjustable levelers to level.

STEP 1

Insert Cam Lock Screws into pre-drilled holes in Top (A), Side Panels (B), (C), Front Rail (E), Back Rail (F) and Back Panel (H), then tighten.

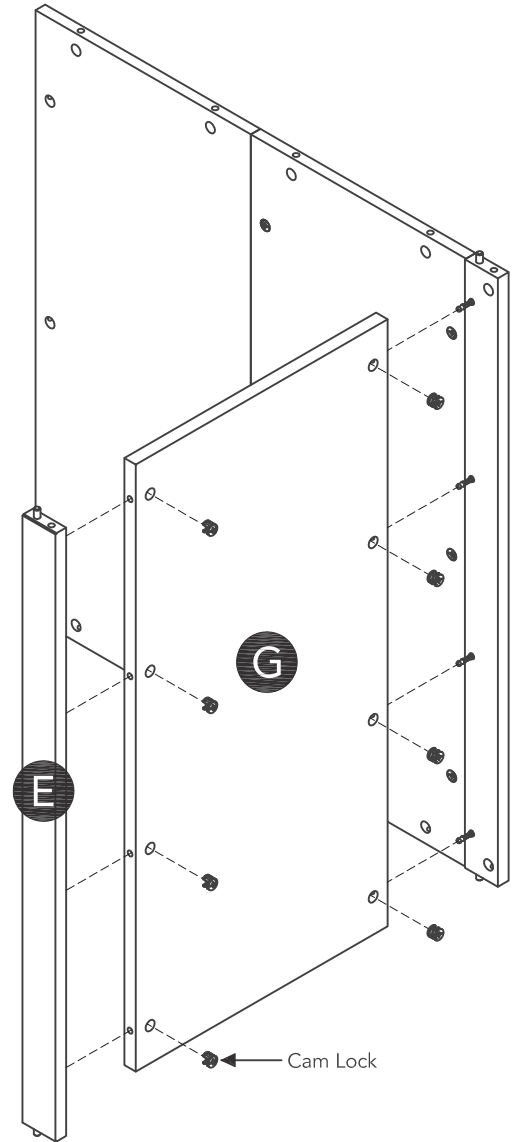
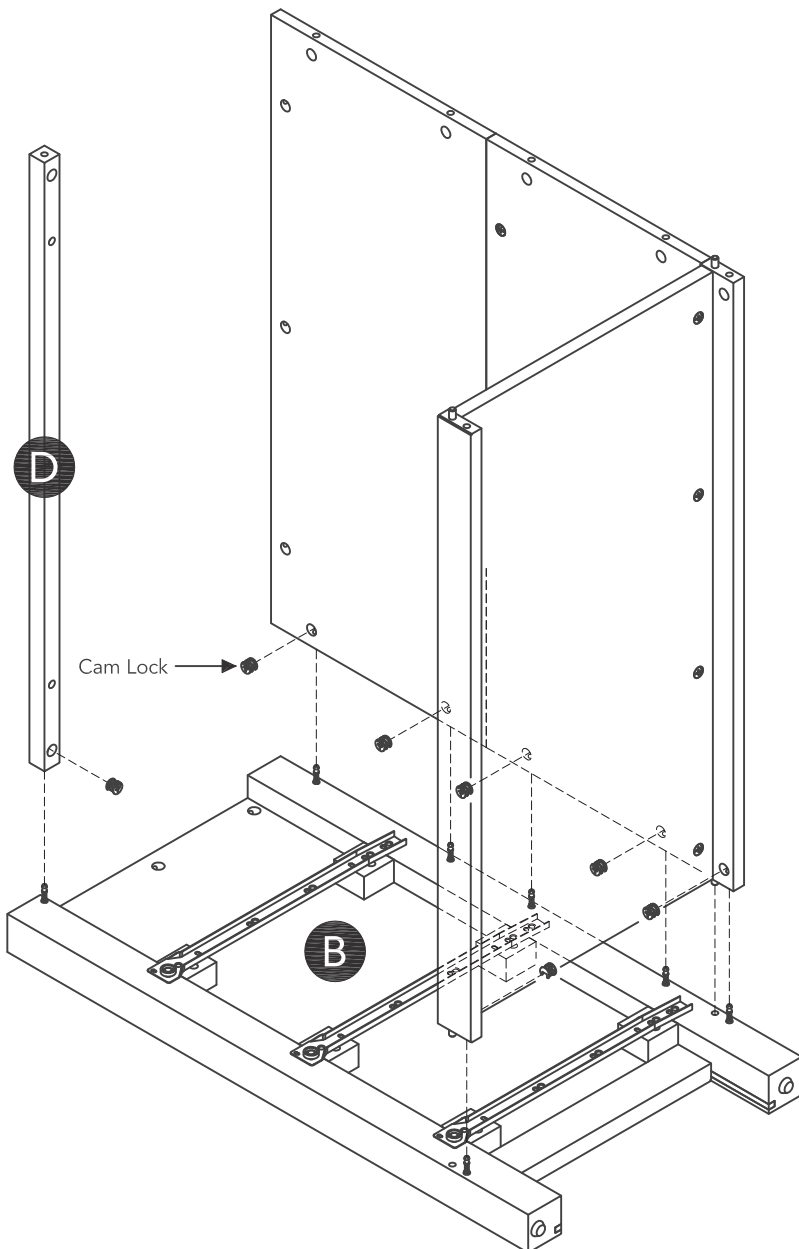


STEP 2

Attach Back Panel (H) and Back Rail (F) to Back Panel (I) with Cam Locks. (See Figure 1)

STEP 3

Attach Front Rail (E) and unit to Base (G) with Cam Locks.



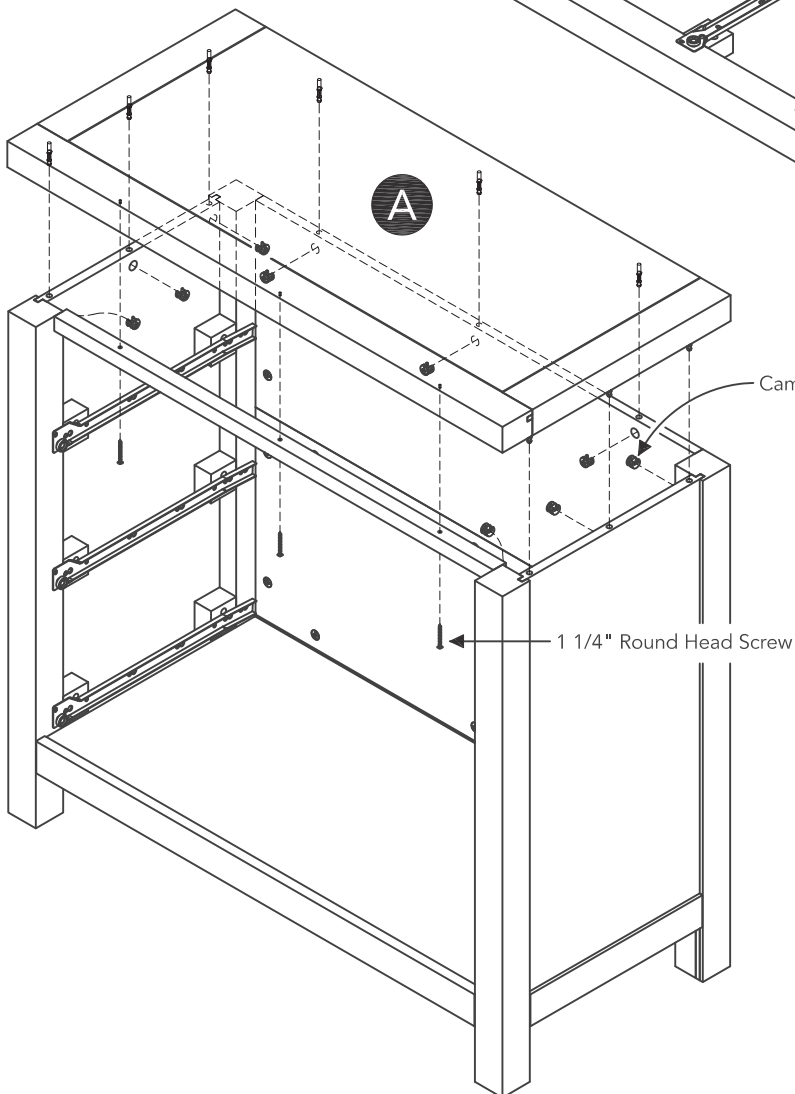
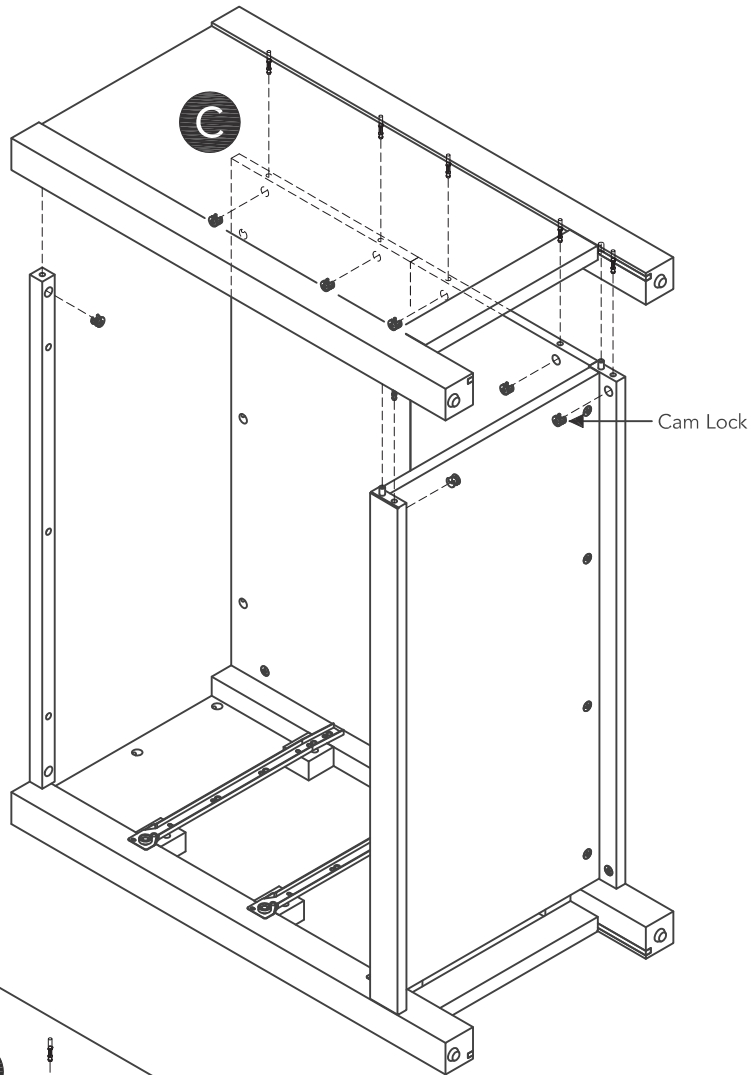
STEP 4

Attach Front Rail (D) and unit to Side Panel (B) with Cam Locks.

Assembly Instructions 4/9

STEP 5

Attach Side Panel (C) to unit with Cam Locks.



STEP 6

Attach Top (A) to unit with Cam Locks and 1 1/4" Round Head Screws.

Level unit by adjusting the adjustable levelers on bottom of unit. (See Figure 2)

Note: Unit must be level to work properly.

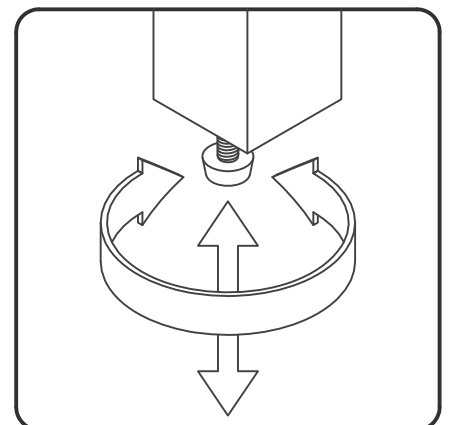


Figure 2

Assembly Instructions 5/9

IMPORTANT

- To help reduce the risk of the unit tipping over, the Tip-over Restraint must be installed following these instructions exactly.

STEP 7

Place unit at desired location.

Mark wall with pencil just above and in-line with hole in Top (A). (See Figure 3)

Move unit.

Drill a 3/8" hole in wall 2" below mark.

Insert Anchor into the wall hole and attach Tip-over Restraint to Anchor with 1 1/2" Round Head Screw and Flat Washer. (See Figure 4)

Move unit back into place and insert Tip-over Restraint into unit through hole in Top (A). (See Figure 5)

Attach Tip-over Restraint to unit with 1/2" Round Head Screw and Flat Washer. (See Figure 6)

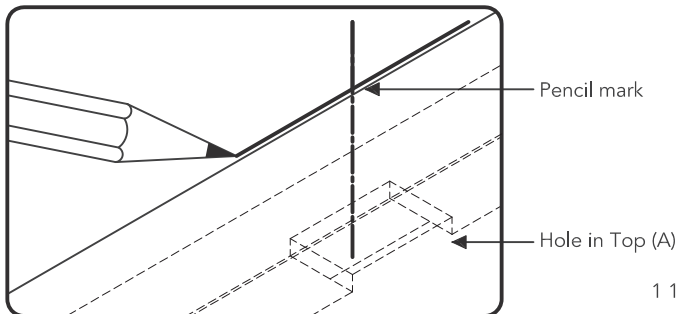
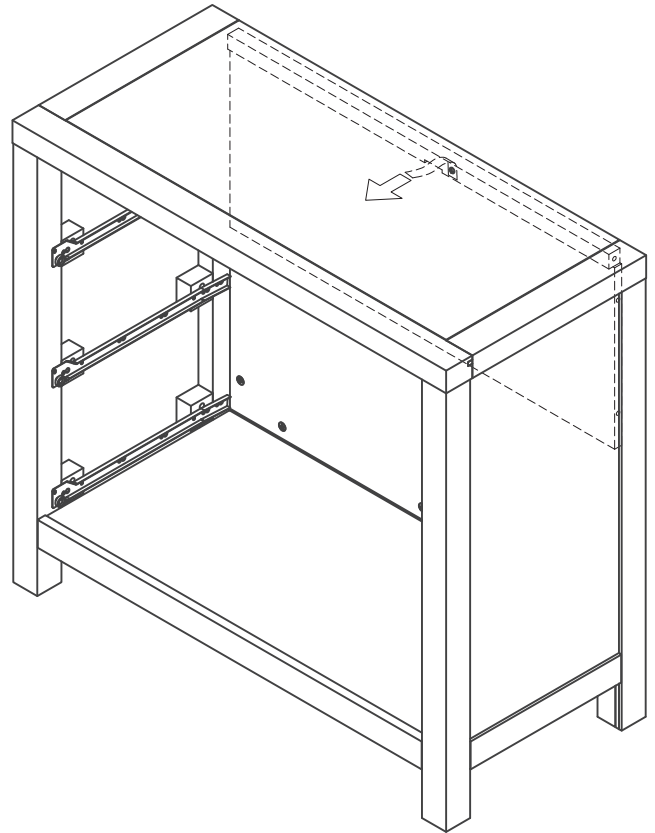


Figure 3

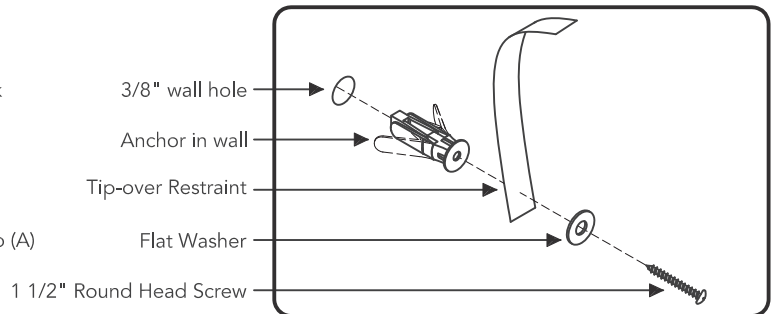


Figure 4

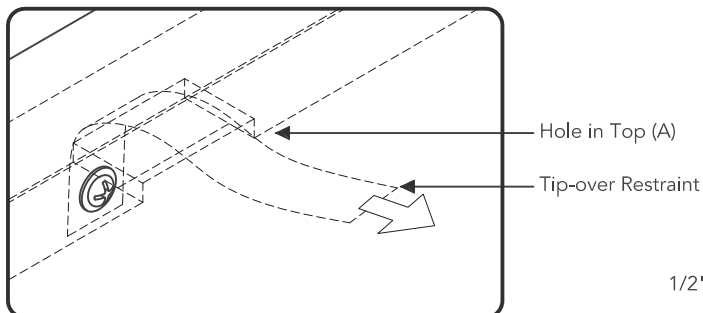


Figure 5

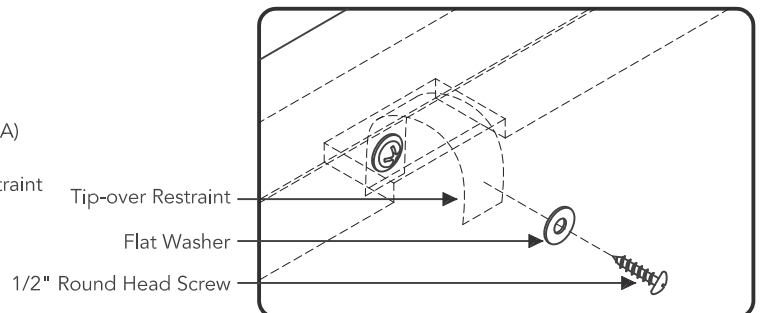


Figure 6

Hardware List



Tip-over Restraint
1 pc.



Anchor
1 pc. (+1 extra)



(M3x38)
1 1/2" Round Head Screw
1 pc. (+1 extra)



(M3x13)
1/2" Round Head Screw
1 pc. (+1 extra)



Flat Washer
2 pcs. (+1 extra)