

Assembly Instructions 7/11

IMPORTANT

• To help reduce the risk of the unit tipping over, the Tip-over Restraint must be installed following these instructions exactly.

STEP 11

Place the unit at desired location.

Mark wall with pencil to show position of hole in Back Panel (N). (See Figure 5)

Move unit.

Drill a 3/8" hole in wall 1" below mark.

Insert Anchor into the wall hole and attach Tip-over Restraint to Anchor with 1 1/2" Round Head Screw and Flat Washer. (See Figure 6)

Move unit back into place and insert Tip-over Restraint into unit through hole in Back Panel (N). (See Figure 7)

Attach Tip-over Restraint to unit with 1/2" Round Head Screw and Flat Washer. (See Figure 8)

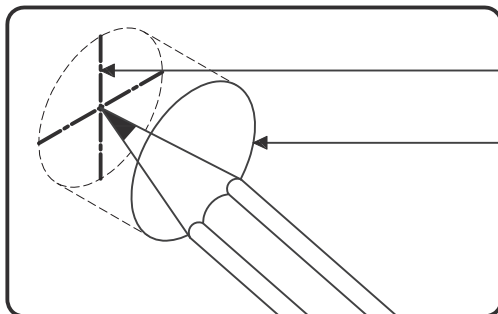
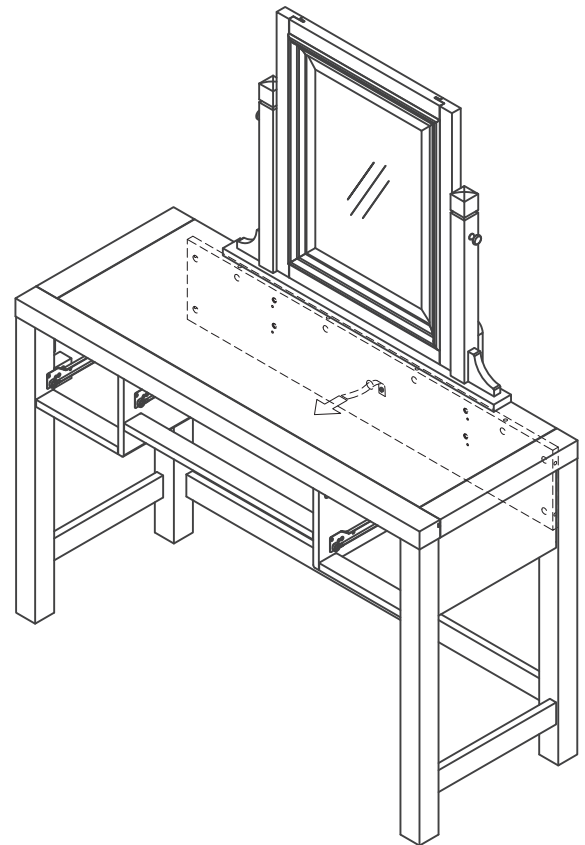


Figure 5

Pencil mark
Hole in Back Panel (N)

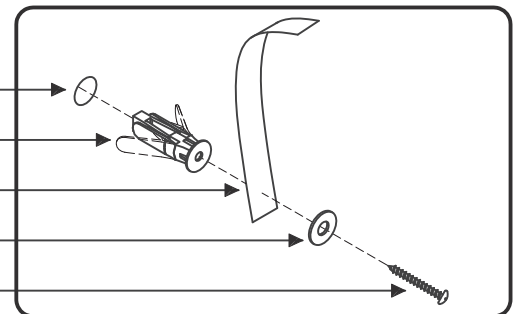


Figure 6

3/8" wall hole
Anchor in wall
Tip-over Restraint
Flat Washer
1 1/2" Round Head Screw

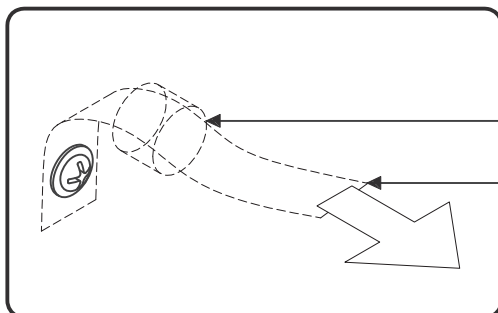


Figure 7

Hole in Back Panel (N)
Tip-over Restraint

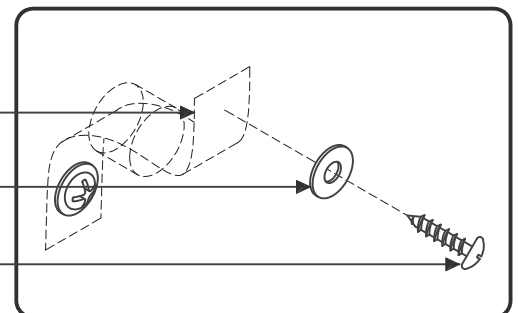







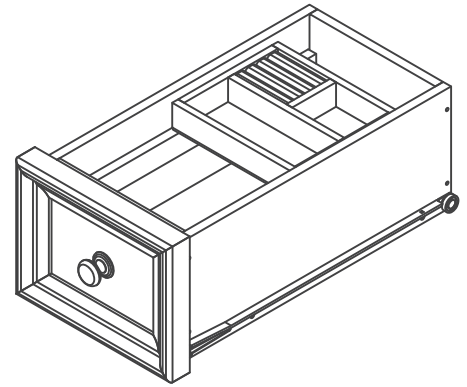
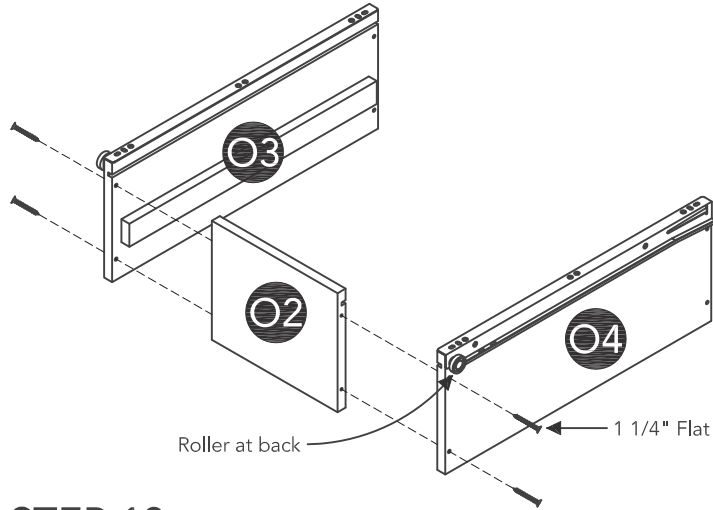
Figure 8

Tip-over Restraint
Flat Washer
1/2" Round Head Screw

Hardware List				
 Tip-over Restraint 1 pc.	 Anchor 1 pc. (+1 extra)	 (M3x38) 1 1/2" Round Head Screw 1 pc. (+1 extra)	 (M3x13) 1/2" Round Head Screw 1 pc. (+1 extra)	 Flat Washer 2 pcs. (+1 extra)

Assembly Instructions 8/11

Drawer (O)



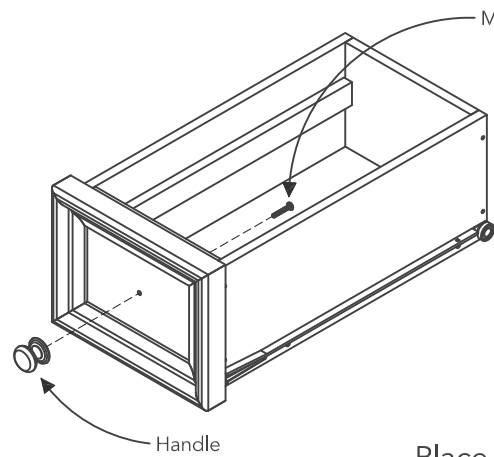
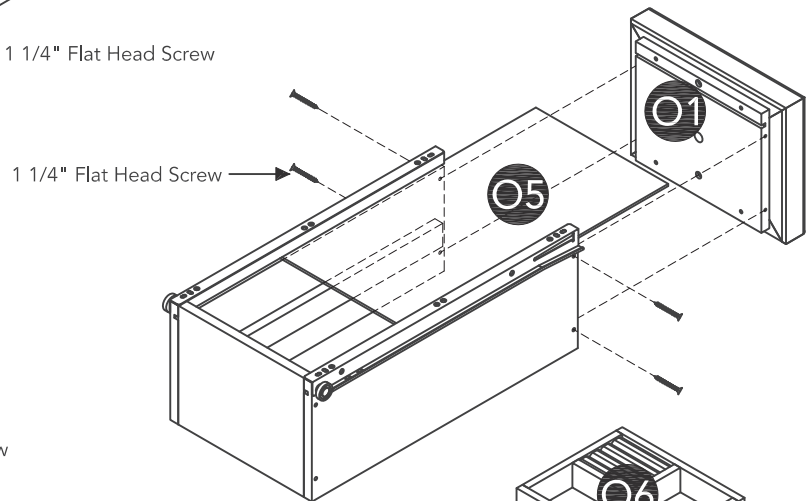
STEP 12

Attach Drawer Sides (O3) and (O4) to Drawer Back (O2) with 1 1/4" Flat Head Screws.

STEP 13

Insert Drawer Bottom (O5) into groove.

Attach Drawer Front (O1) to unit with 1 1/4" Flat Head Screws.

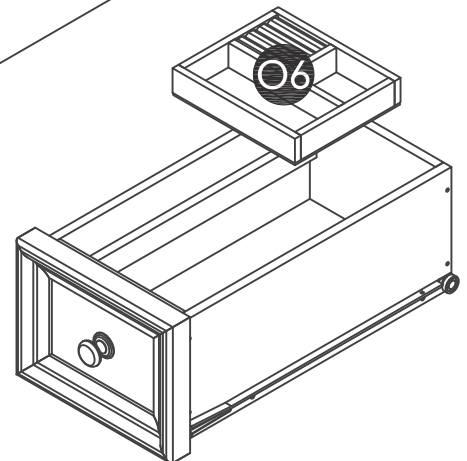


STEP 14

Attach Handle with Machine Screw.

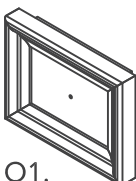
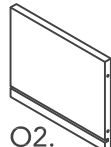
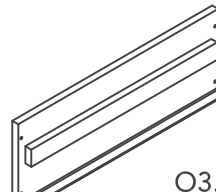
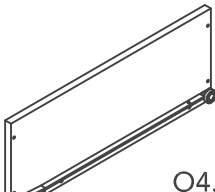
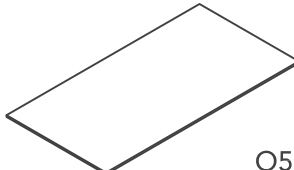
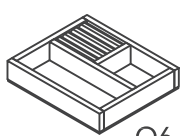
STEP 15

Place Jewelry Box (O6) into position.



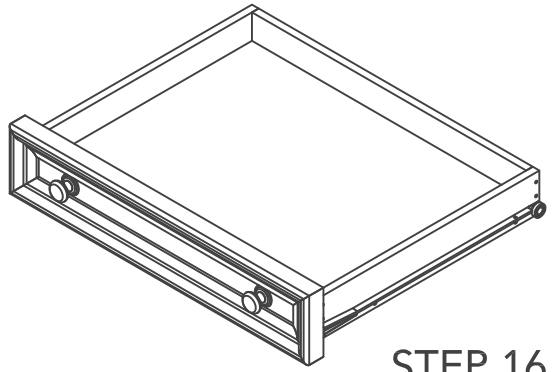
Note: Drawer assembly is not complete until 3/4" Flat Head Screws are used in a later step.

Part List

					
O1. Drawer Front 2 pcs.	O2. Drawer Back 2 pcs.	O3. Drawer Side 2 pcs.	O4. Drawer Side 2 pcs.	O5. Drawer Bottom 2 pcs.	O6. Jewelry Box 2 pcs.

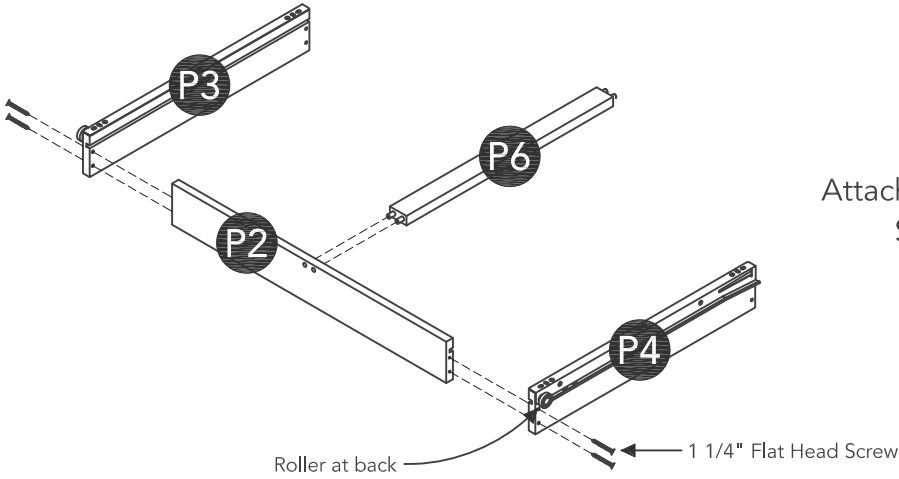
Assembly Instructions 9/11

Drawer (P)



STEP 16

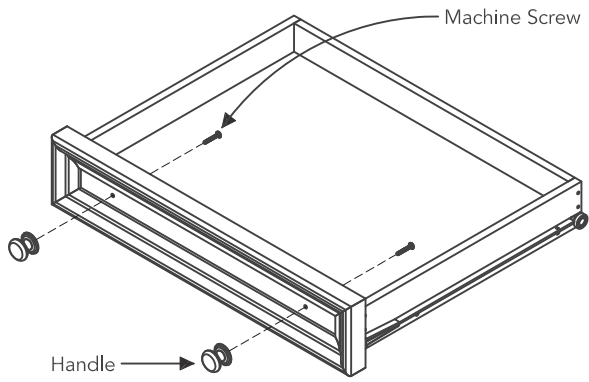
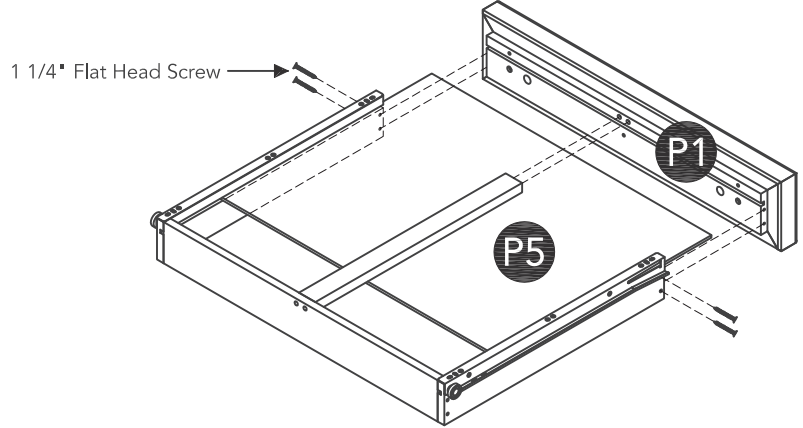
Attach Drawer Sides (P3), (P4), and Drawer Support (P6) to Drawer Back (P2) with 1 1/4" Flat Head Screws.



STEP 17

Insert Drawer Bottom (P5) into groove.

Attach Drawer Front (P1) to unit with 1 1/4" Flat Head Screws.


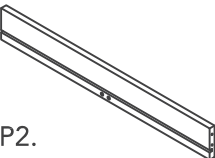
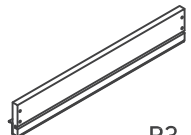
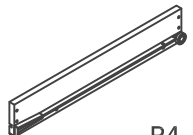
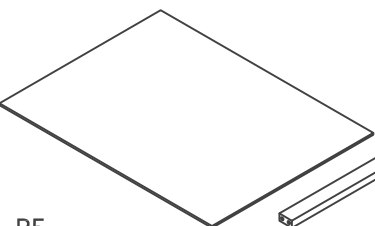
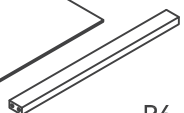


STEP 18

Attach Handles with Machine Screws.

Note: Drawer assembly is not complete until 3/4" Flat Head Screws are used in a later step.

Part List

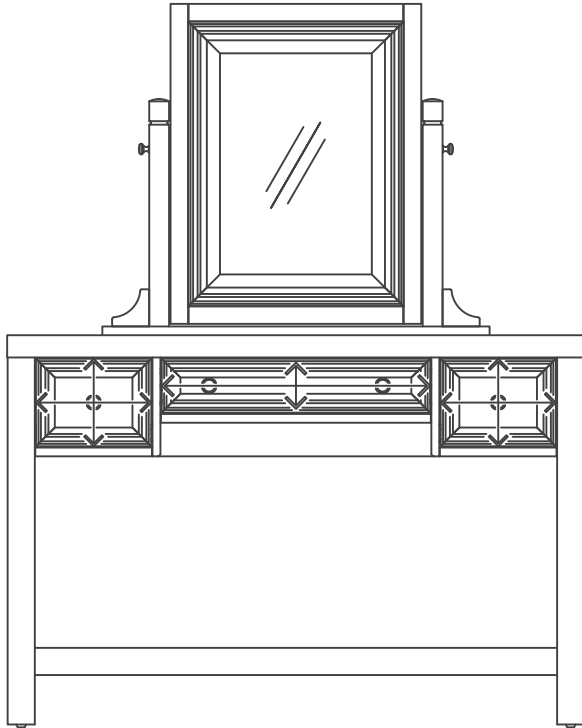
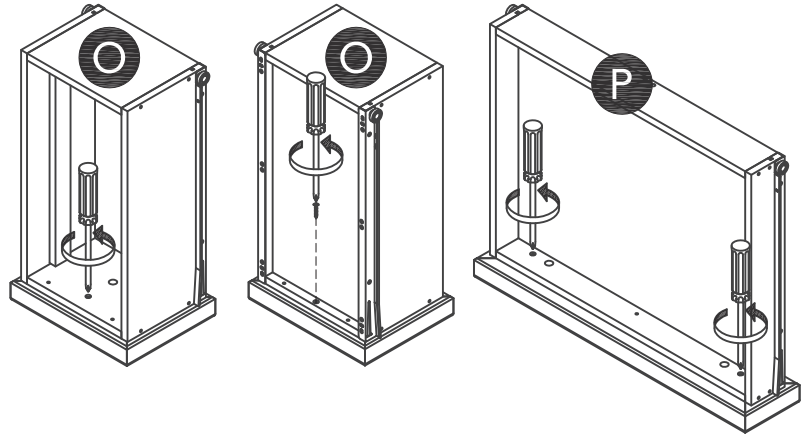
					
P1. Drawer Front 1 pc.	P2. Drawer Back 1 pc.	P3. Drawer Side 1 pc.	P4. Drawer Side 1 pc.	P5. Drawer Bottom 1 pc.	P6. Drawer Support 1 pc.

Assembly Instructions 10/11

STEP 19

For Drawer (O) loosen slightly upper center screw and uninstall lower center screw.

For Drawer (P) loosen slightly screws pre-installed on back of drawer fronts.



STEP 20

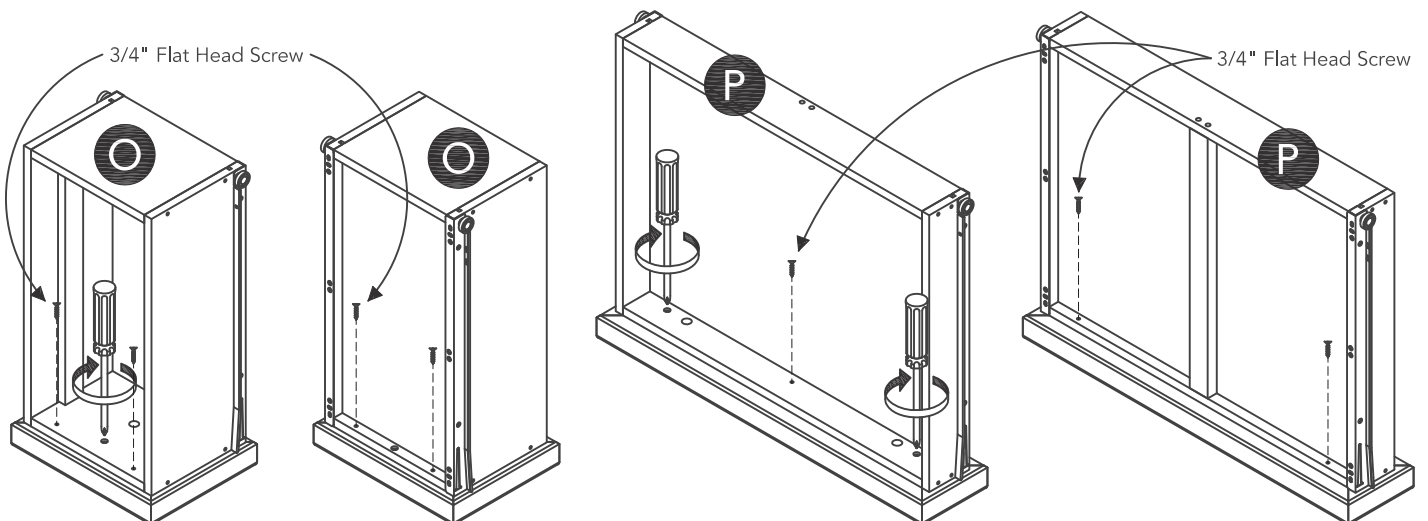
Insert drawers into unit, then adjust drawer front panels left or right and up or down until drawer gaps look proportional.

STEP 21

Pull each drawer open slowly, then retighten screws loosened in Step 19.

Make sure drawer front panels do not move and lock drawer front panels into position with 3/4" Flat Head Screws.

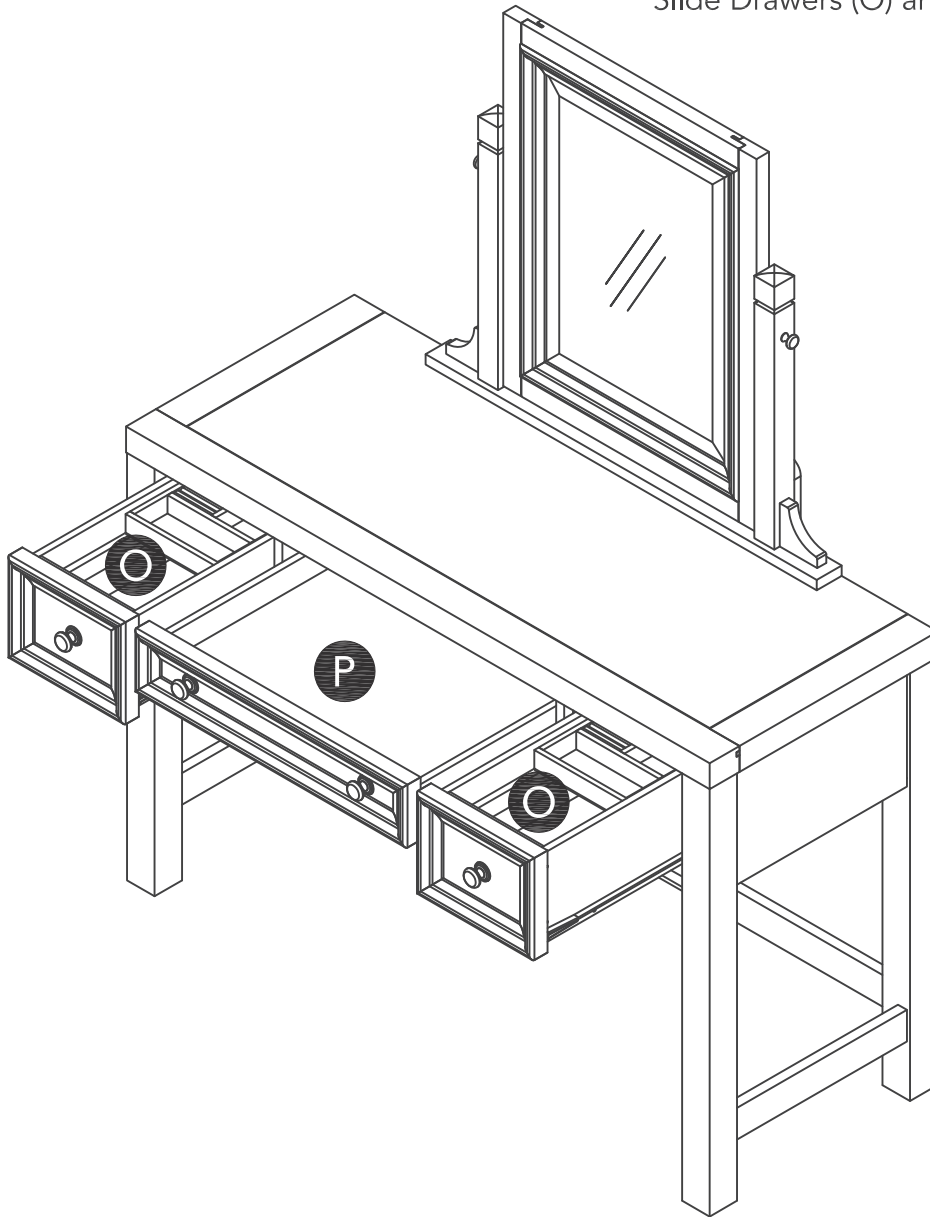
Note: These 3/4" Flat Head Screws must be installed to complete the drawer assembly.



Assembly Instructions 11/11

STEP 22

Slide Drawers (O) and (P) into position.



CARE INSTRUCTIONS

NEVER

allow liquids to remain on furniture.
Absorption causes parts to warp
and split and finishes to delaminate.

NEVER

use glass cleaners on
finished furniture. Ammonia
chemically attacks the finish.



Do not use power tools
above 8 volts to assemble.

**PREVENT
CRACKING**



Do not place
in direct sunlight.

**PREVENT
FADING**



Do not write
directly on surface.

**PREVENT
MARKING**



Do not place hot
objects on surface.

**PREVENT
FINISH DAMAGE**



Do not use rubber
based placemats.

**PREVENT
DISCOLORING**



Do not use commercial
waxes and polishes.

**PREVENT
YELLOWING**

CLEAN

with a soft cloth moistened
in lukewarm soap and water.
Buff with a dry clean cloth.



Home Styles will provide replacements free of charge for missing or damaged hardware or parts within 30 days of purchase. Digital images of the defective parts may be required. If the product was not purchased from an authorized retail affiliate, Home Styles is under no obligation to provide replacement parts. Parts are not available for fully assembled items nor are parts available for sale. Replacements for missing or damaged hardware or parts may be requested at:

www.homestyles-furniture.com/customer-service/replacement-parts

Home Styles Customer Service: www.homestyles-furniture.com,
servicedesk@homestyles-furniture.com, 888-680-7460, 877-831-0319