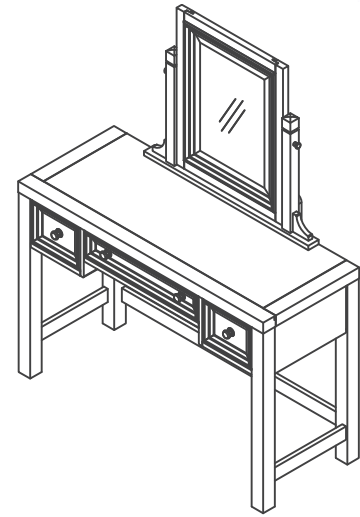


homestyles

20 05420 0070

Vanity with Mirror



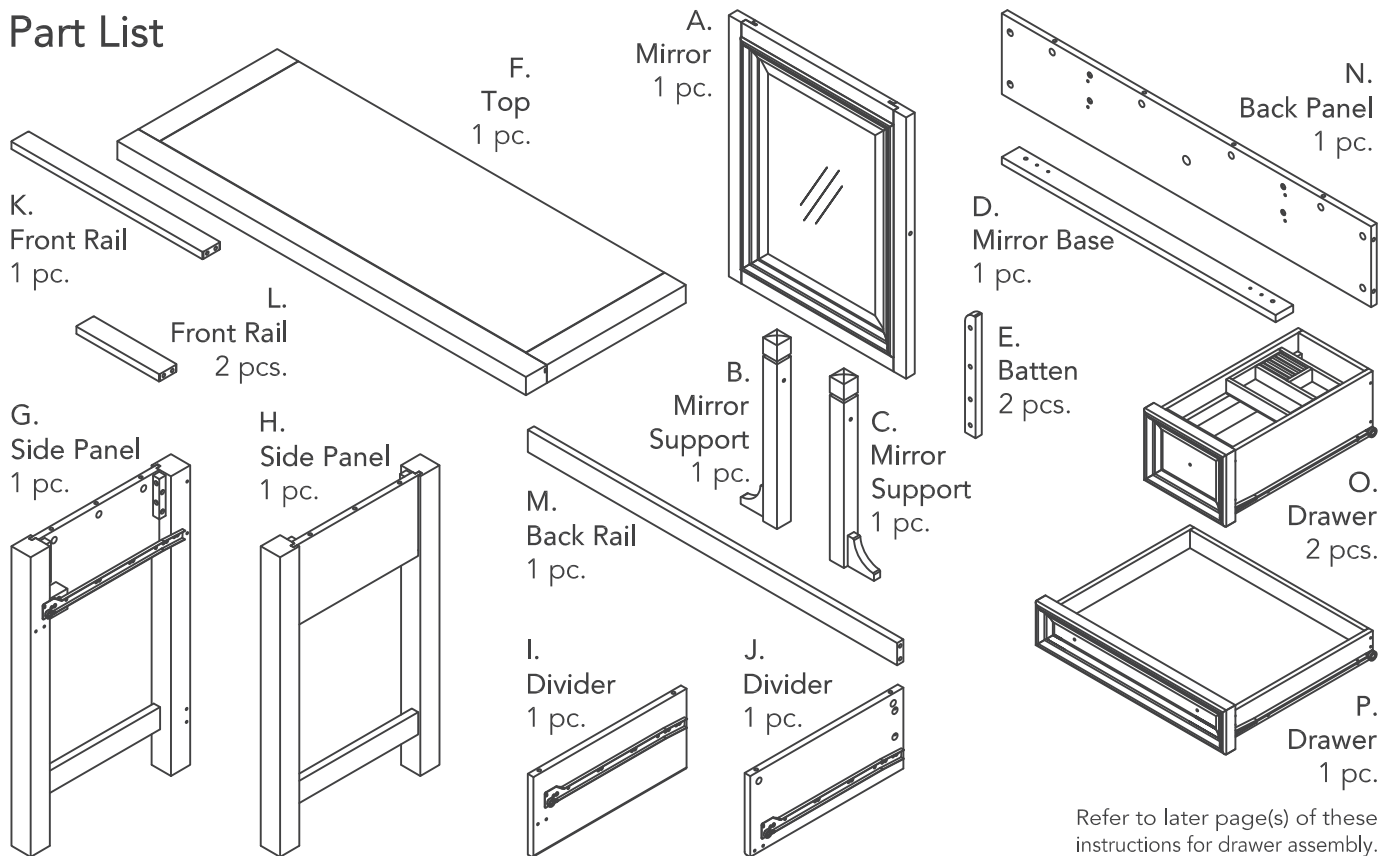
IMPORTANT

Carefully remove all the parts from the carton and place them individually on a soft cloth to prevent scratches or other damage.

Carefully and strictly follow these assembly instructions to ensure a completed product as designed.

Do not use power tools above 8 volts to assemble.

Part List



Refer to later page(s) of these instructions for drawer assembly.

Hardware List



Cam Lock Screw
38 pcs. (+4 extra)



Cam Lock
38 pcs. (+4 extra)



**M4x25
1" Round Head Screw**
4 pcs. (+1 extra)



**M3x32
1 1/4" Flat Head Screw**
24 pcs. (+1 extra)



**M3x19
3/4" Flat Head Screw**
11 pcs. (+1 extra)



**M6x30
Bolt**
8 pcs. (+1 extra)



Flat Washer
8 pcs. (+1 extra)



Spring Washer
8 pcs. (+1 extra)



**M6x68
Axis Bolt**
2 pcs.



Mirror Axis
2 pcs.



Plastic Washer
2 pcs. (+1 extra)



**5/32"x1"
Machine Screw**
4 pcs.



Handle
4 pcs.



Hex Wrench
1 pc.



Hex Wrench (Small)
1 pc.

Tool(s) required for assembly: Phillips screwdriver, Pencil, Drill (8 volts or less), 3/8" Drill Bit

Home Styles Customer Service: www.homestyles-furniture.com,
servicedesk@homestyles-furniture.com, 888-680-7460, 877-831-0319

Assembly Instructions 2/11

IMPORTANT

- Use a soft cloth between these parts and the floor.
- Do not use power tools above 8 volts to assemble.
- Do not tighten all the screws until each part is properly assembled.
- The unit must be level to work properly. Use the included adjustable levelers to level.
- Keep Hex Wrench as the Bolts may need to be tightened in the future.

STEP 1

Insert Cam Lock Screws into pre-drilled holes in Top (F), Side Panels (G), (H), Dividers (I), (J) and Back Panel (N), then tighten.

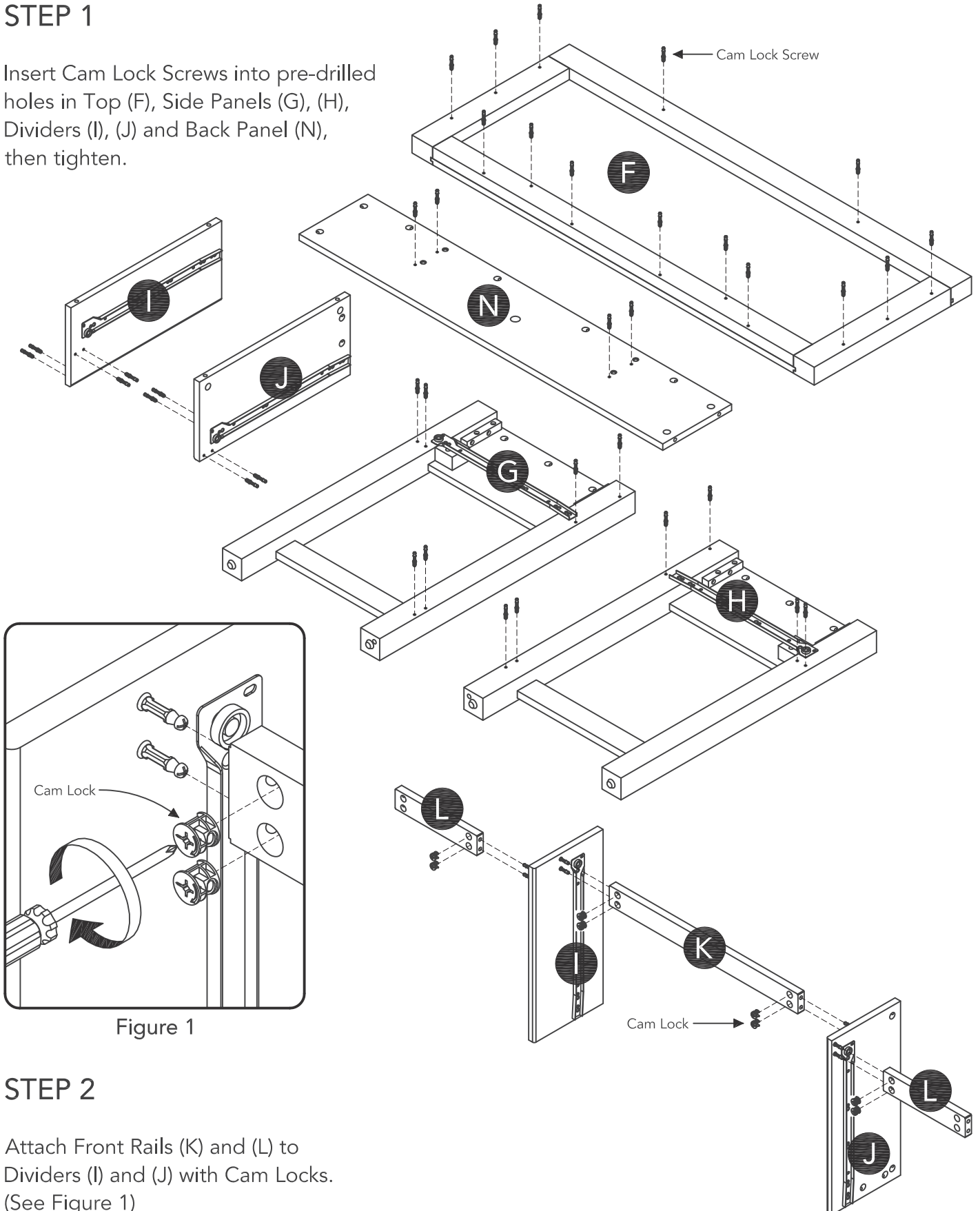


Figure 1

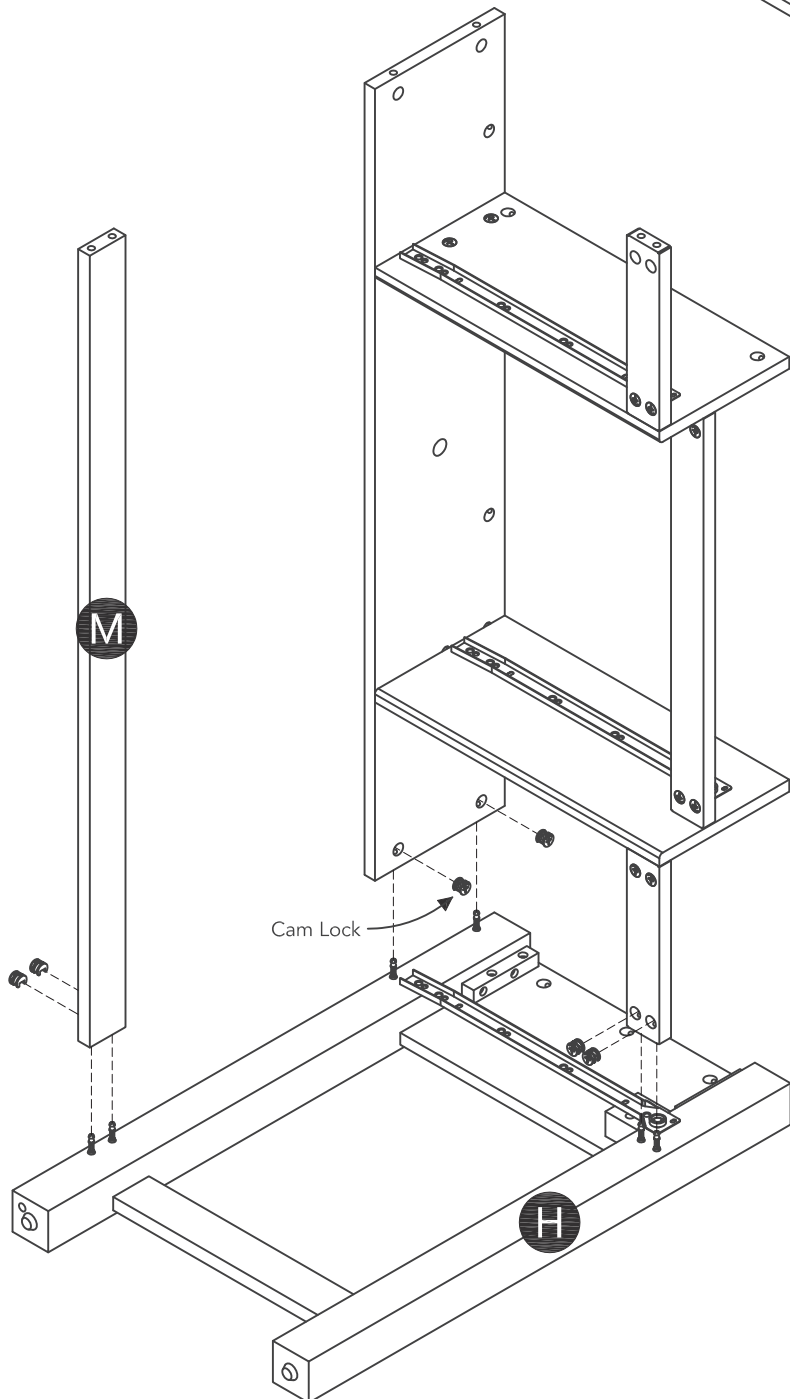
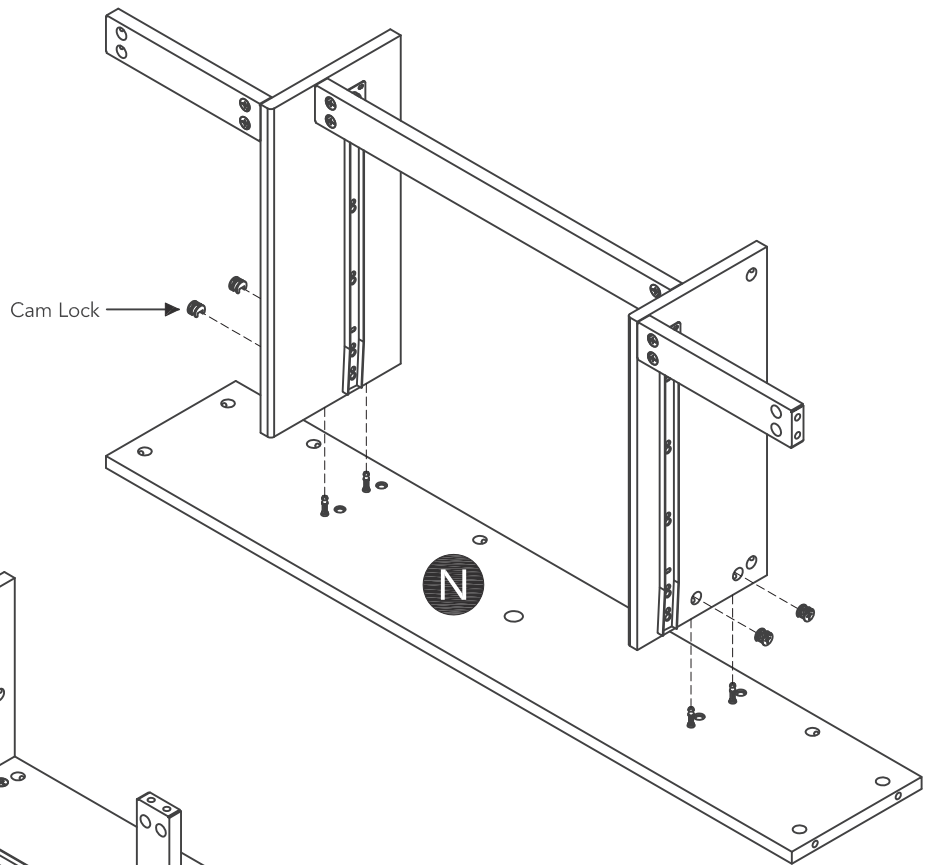
STEP 2

Attach Front Rails (K) and (L) to Dividers (I) and (J) with Cam Locks. (See Figure 1)

Assembly Instructions 3/11

STEP 3

Attach unit to Back Panel (N) with Cam Locks.

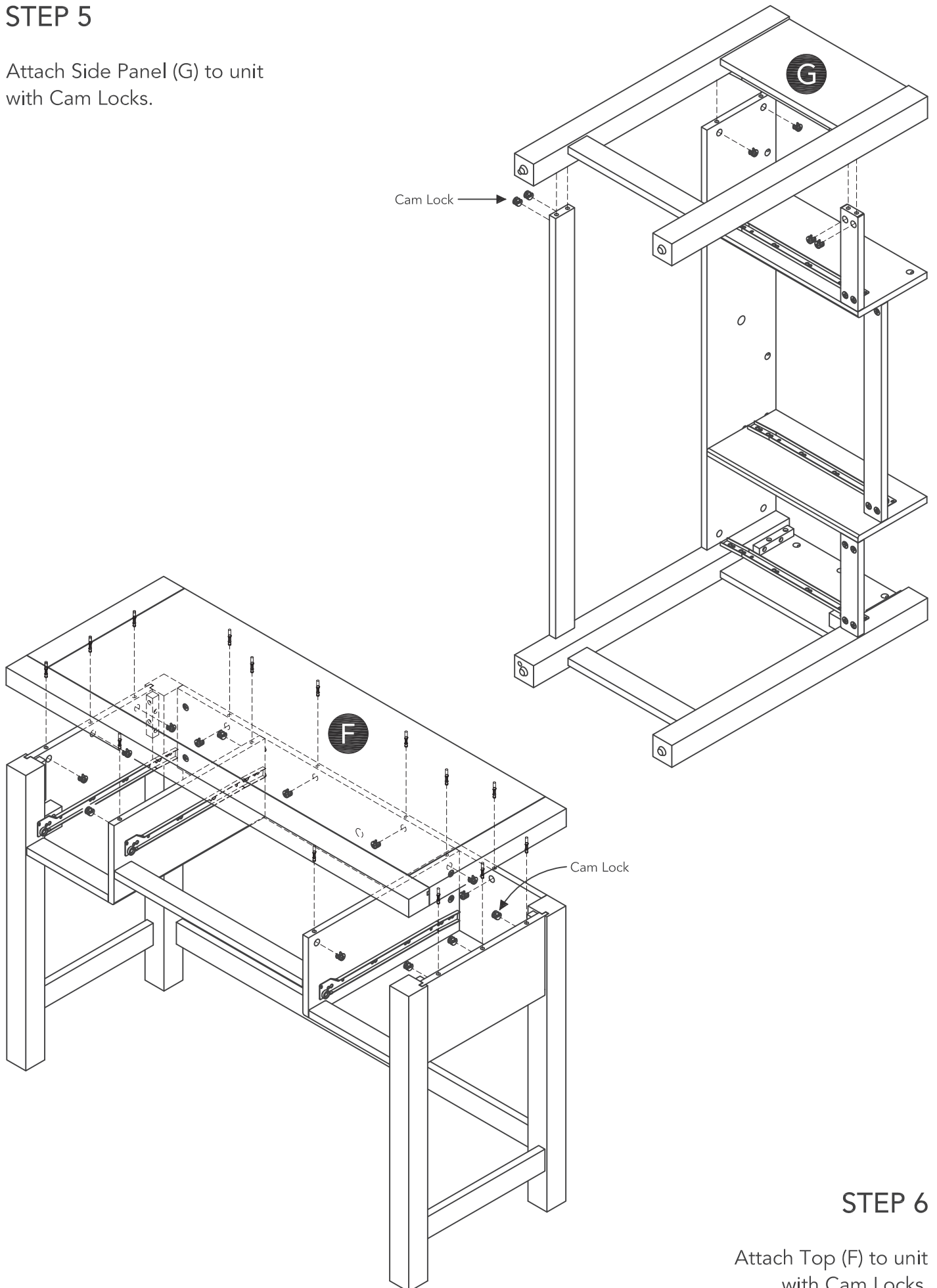


STEP 4

Attach unit and Back Rail (M) to Side Panel (H) with Cam Locks.

STEP 5

Attach Side Panel (G) to unit with Cam Locks.



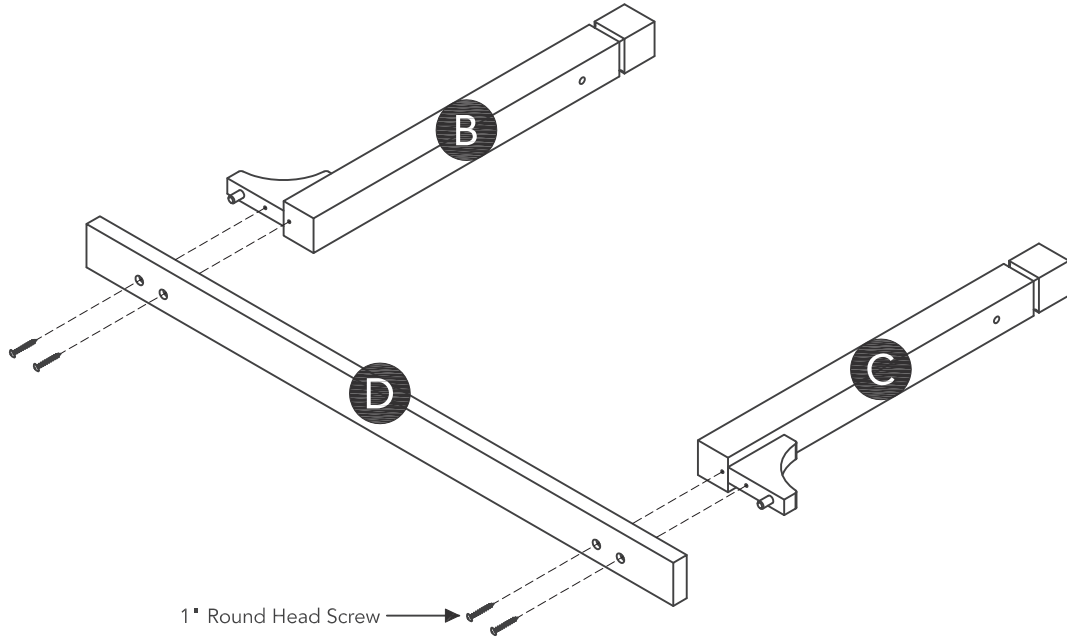
STEP 6

Attach Top (F) to unit with Cam Locks.

Assembly Instructions 5/11

STEP 7

Attach Mirror Base (D) to Mirror Supports (B) and (C) with 1" Round Head Screws.



STEP 8

Attach Mirror (A) to unit with Axis Bolts, Mirror Axes and Plastic Washers.
(See Figure 2)

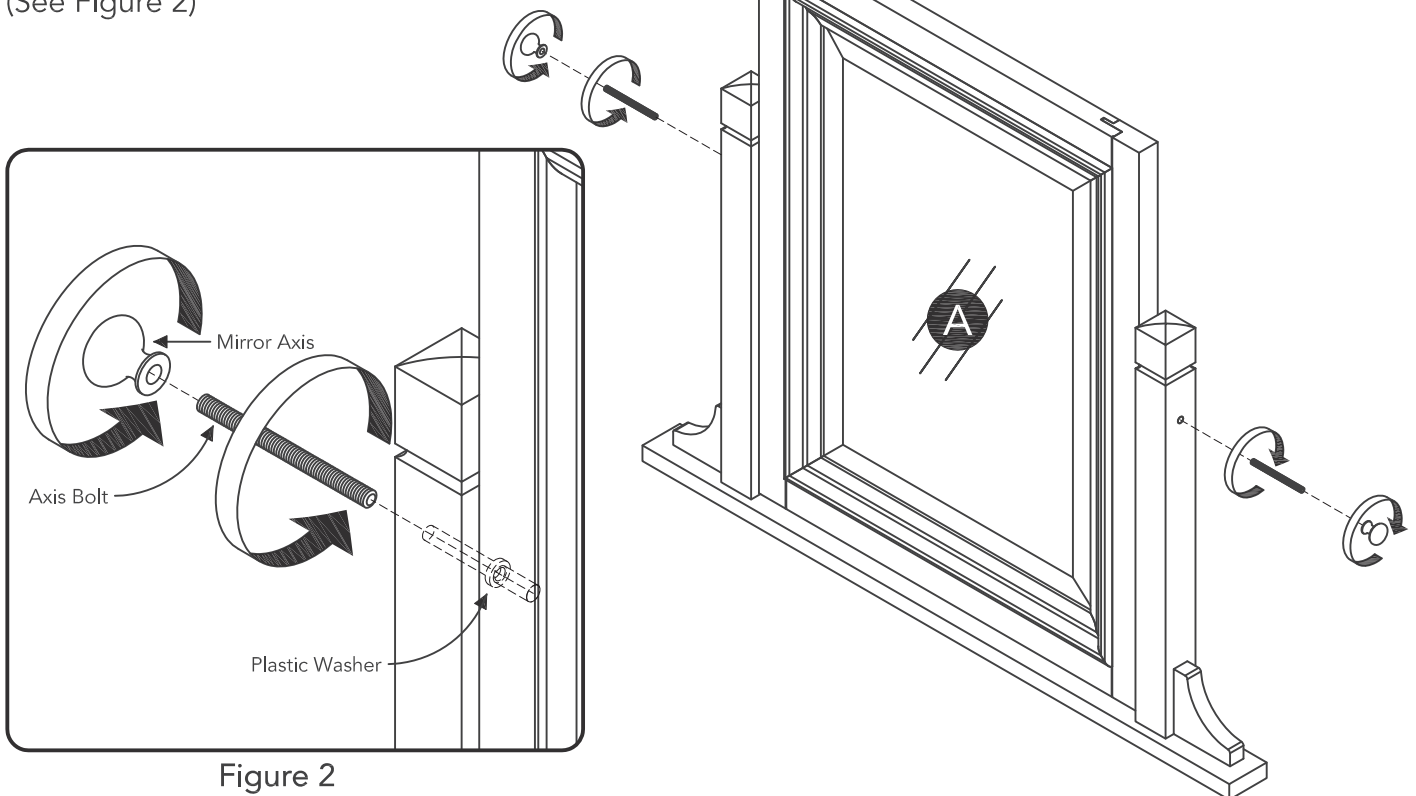


Figure 2

Assembly Instructions 6/11

STEP 9

Attach Battens (E) to unit from Step 6 and unit from Step 8 with Bolts, Spring Washers and Flat Washers.

Tighten Bolts with Hex Wrench. (See Figure 3)

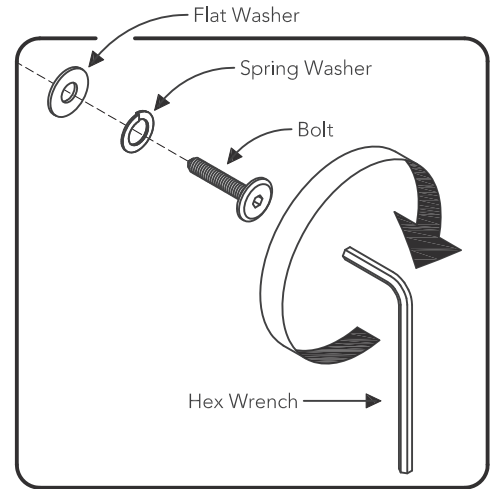
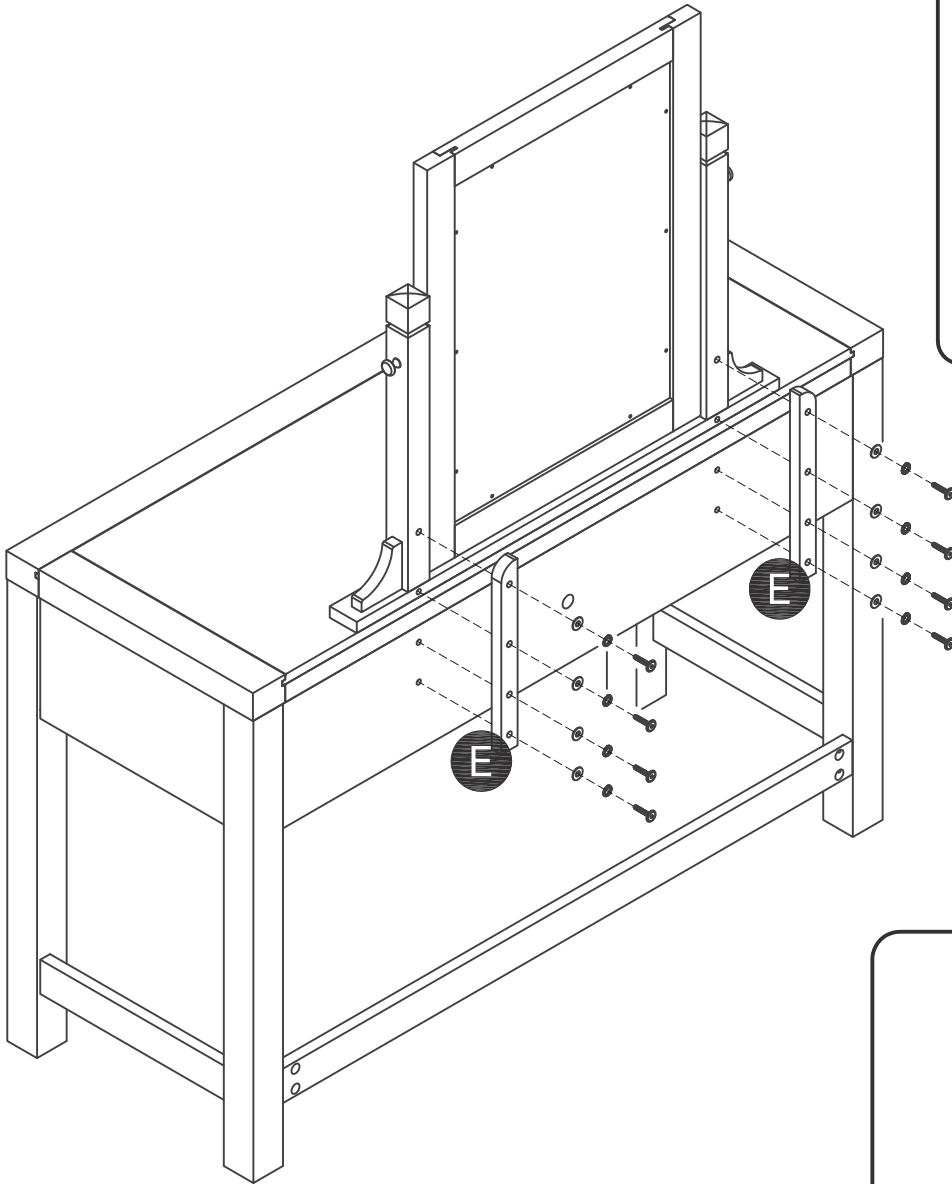


Figure 3

STEP 10

Level unit by adjusting the adjustable levelers on bottom of unit. (See Figure 4)

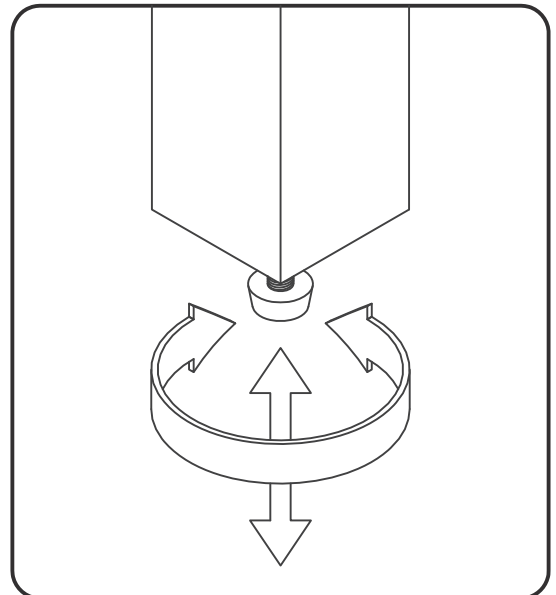


Figure 4