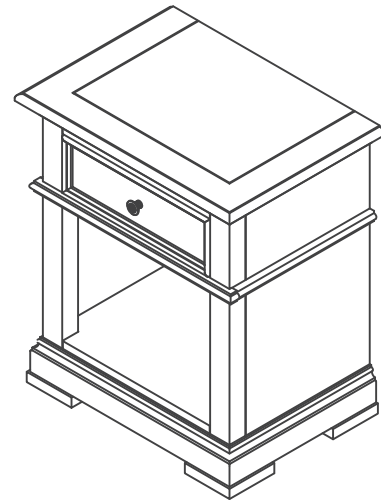




20 05504 0042

# Night Stand



## IMPORTANT

Carefully remove all the parts from the carton and place them individually on a soft cloth to prevent scratches or other damage.

Carefully and strictly follow these assembly instructions to ensure a completed product as designed.

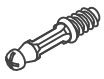











Do not use power tools above 8 volts to assemble.

### Part List

- A. Top 1 pc.
- B. Side Panel 1 pc.
- C. Side Panel 1 pc.
- D. Front Rail 1 pc.
- E. Front Rail 1 pc.
- F. Back Rail 1 pc.
- G. Bottom Panel 1 pc.
- H. Bottom 1 pc.
- I. Feet 2 pcs.
- J. Feet 2 pcs.
- K. Back Panel 1 pc.
- L. Drawer 1 pc.

Refer to later page(s) of these instructions for drawer assembly.

### Hardware List

					
Cam Lock Screw 16 pcs. (+2 extra)	Cam Lock 16 pcs. (+2 extra)	M4x63 2 1/2" Round Head Screw 6 pcs. (+1 extra)	M4x32 1 1/4" Round Head Screw 20 pcs. (+1 extra)	M4x25 1" Round Head Screw 4 pcs. (+1 extra)	M3x32 1 1/4" Flat Head Screw 8 pcs. (+1 extra)
					
M3x19 3/4" Flat Head Screw 4 pcs. (+1 extra)	M3x13 1/2" Flat Head Screw 8 pcs. (+1 extra)	Wedge 8 pcs. (+1 extra)	Dowel 10 pcs. (+1 extra)	Machine Screw 1 pc.	Knob 1 pc.

Tool(s) required for assembly: Phillips screwdriver, Level, Pencil, Drill (8 volts or less), 3/8" Drill Bit

Home Styles Customer Service: [www.homestyles-furniture.com](http://www.homestyles-furniture.com),  
servicedesk@homestyles-furniture.com, 888-680-7460, 877-831-0319

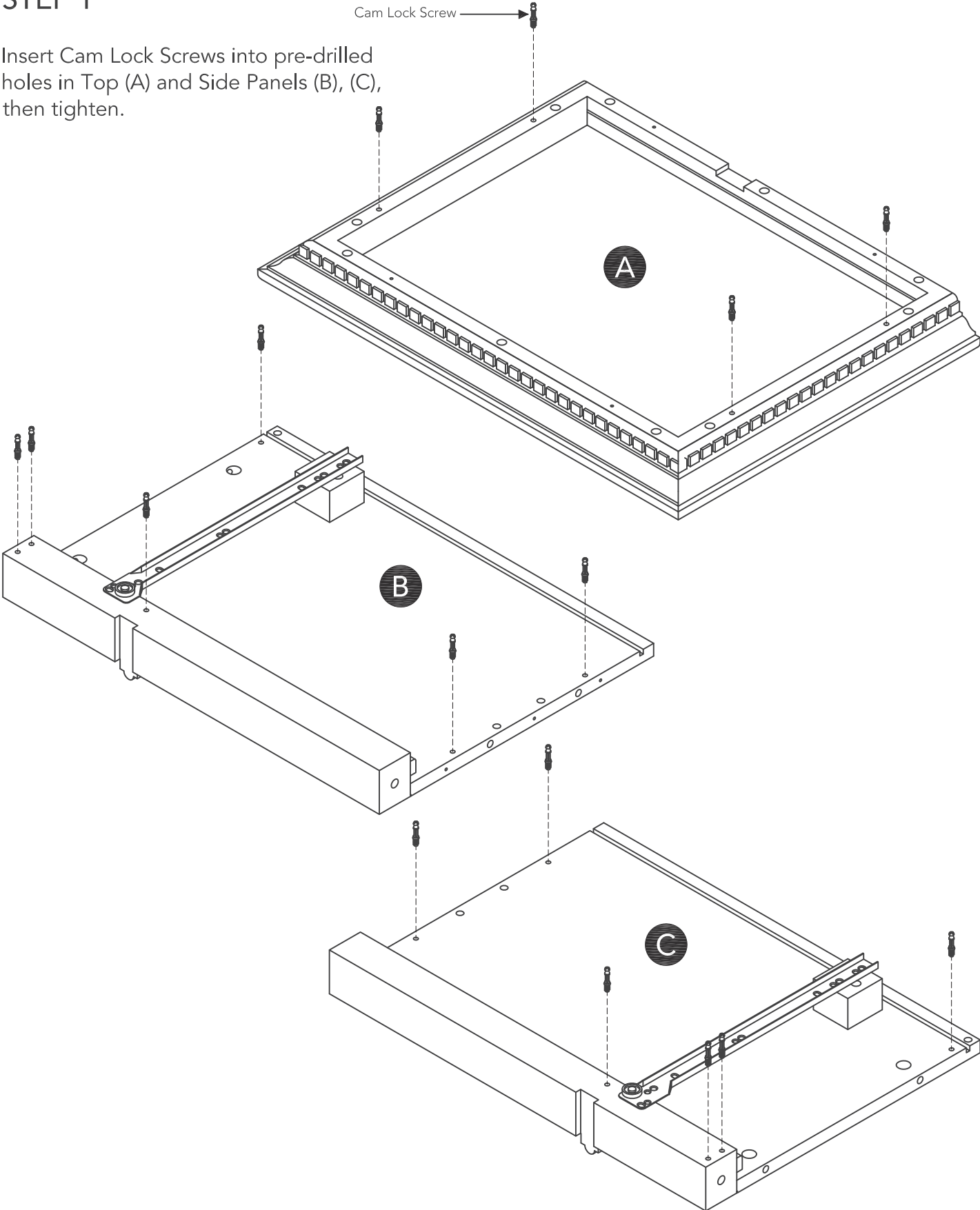
# Assembly Instructions 2/10

## IMPORTANT

- Use a soft cloth between these parts and the floor.
- Do not use power tools above 8 volts to assemble.
- Do not tighten all the screws until each part is properly assembled.
- The unit must be level to work properly. Use the included adjustable levelers to level.

## STEP 1

Insert Cam Lock Screws into pre-drilled holes in Top (A) and Side Panels (B), (C), then tighten.



STEP 2

Attach Front Rails (D), (E) and Back Rail (F) to Side Panel (C) with Dowel and Cam Locks.  
(See Figure 1)

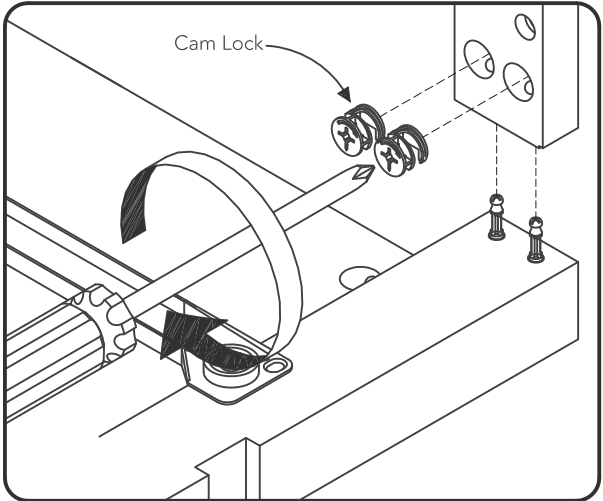
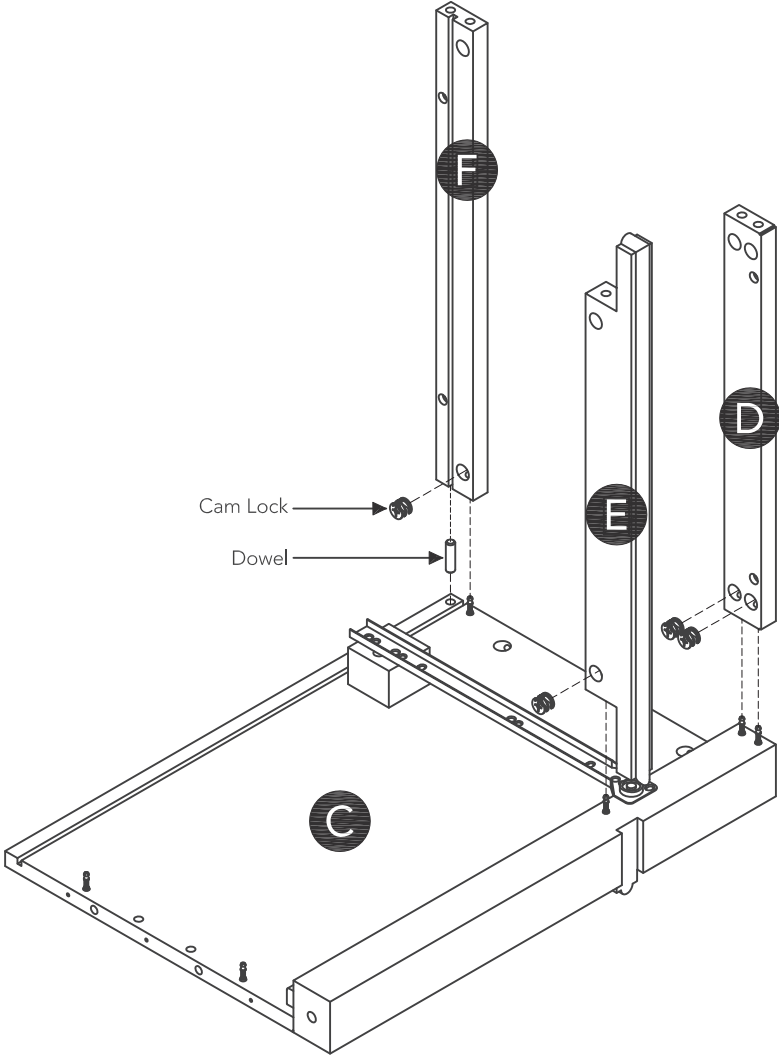
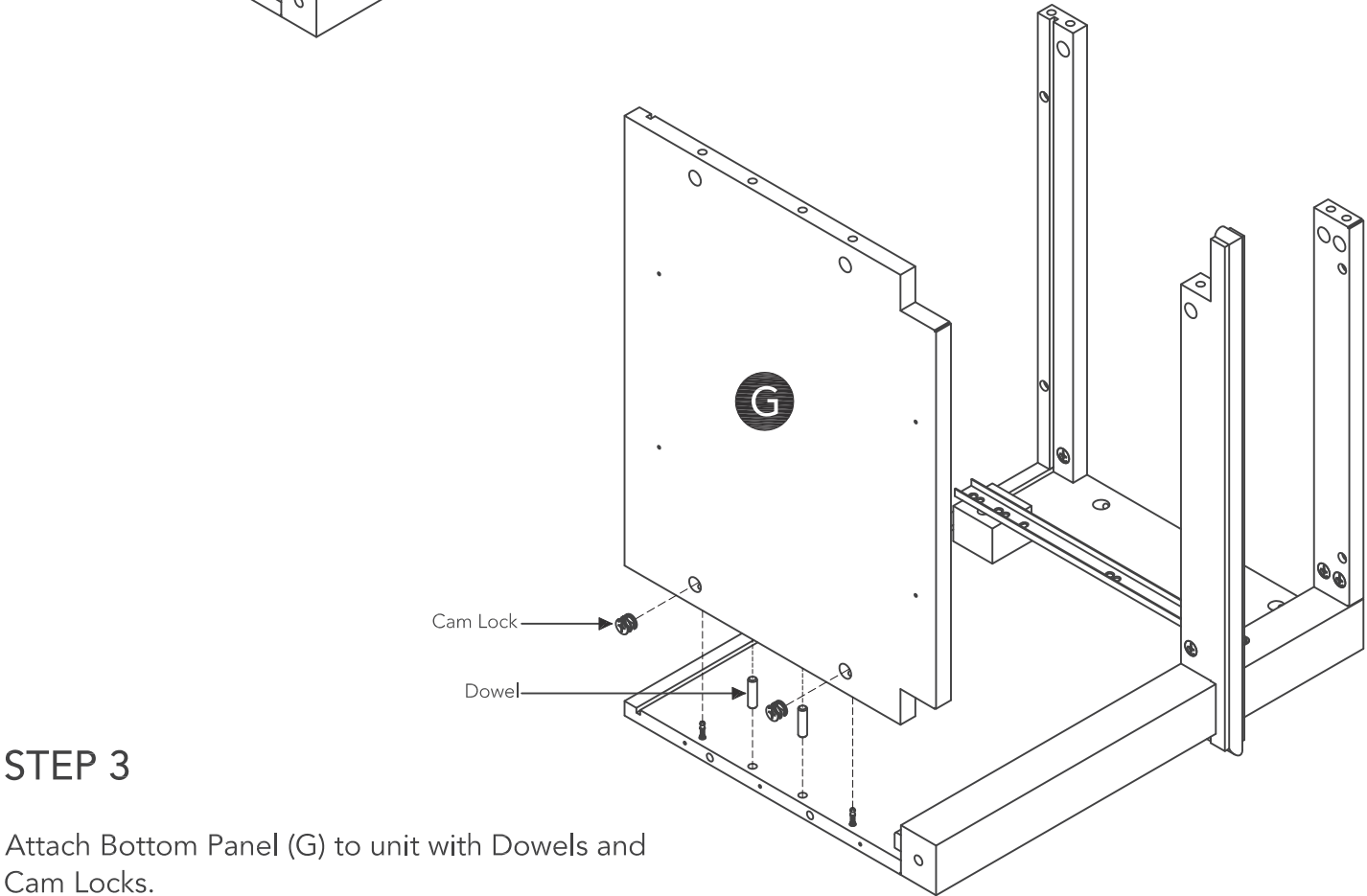


Figure 1



STEP 3

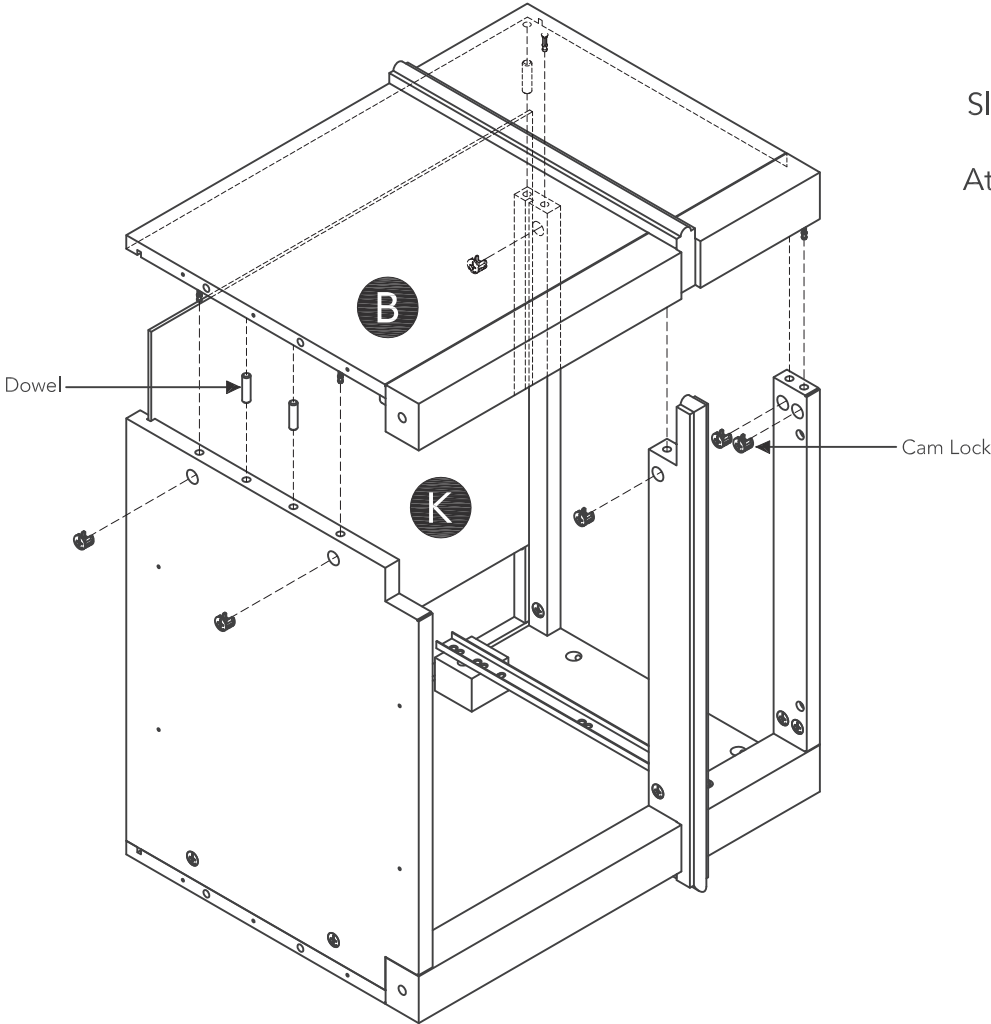
Attach Bottom Panel (G) to unit with Dowels and Cam Locks.

# Assembly Instructions 4/10

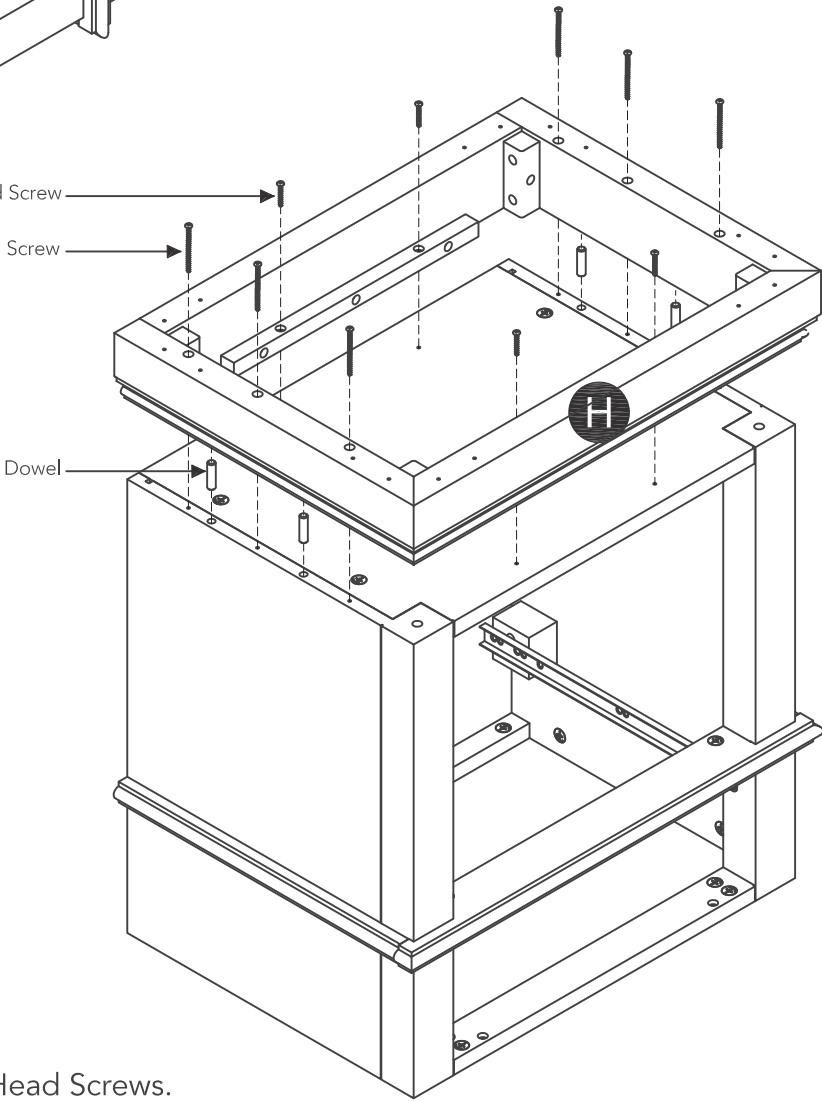
## STEP 4

Slide Back Panel (K) into groove.

Attach Side Panel (B) to unit with Dowels and Cam Locks.



1" Round Head Screw  
2 1/2" Round Head Screw



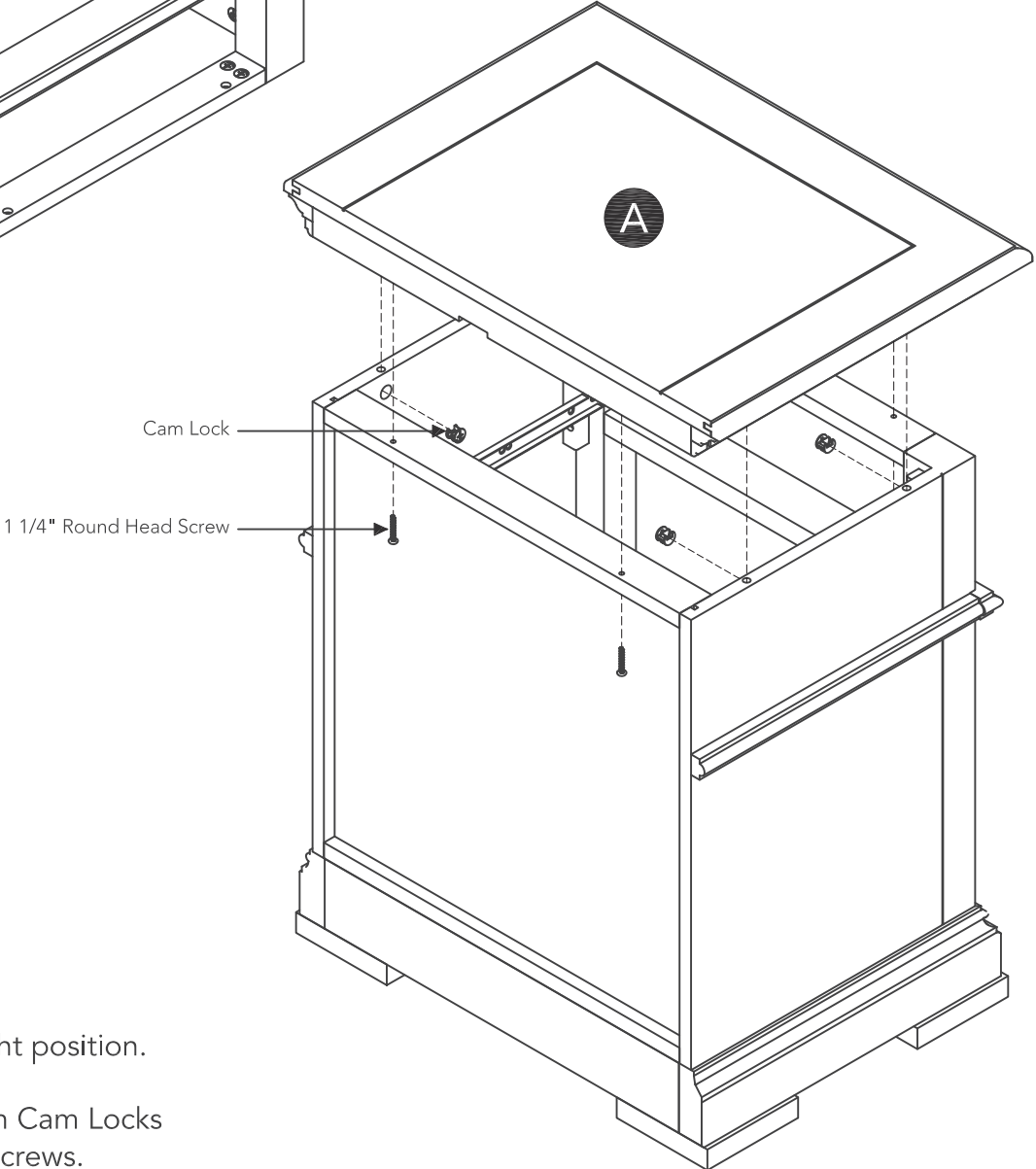
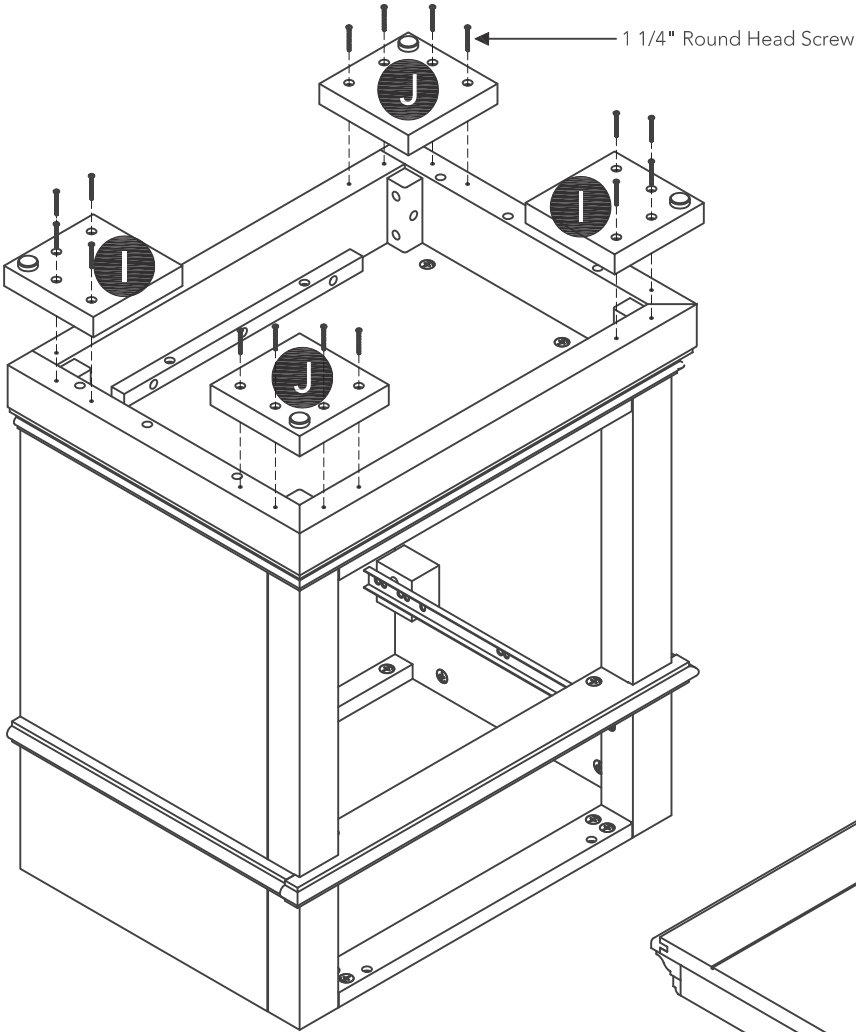
## STEP 5

Attach Bottom (H) to unit with Dowels, 1" Round Head Screws and 2 1/2" Round Head Screws.

# Assembly Instructions 5/10

## STEP 6

Attach Feet (I) and (J) to unit with 1 1/4" Round Head Screws.



## STEP 7

Turn unit over to its upright position.

Attach Top (A) to unit with Cam Locks and 1 1/4" Round Head Screws.

STEP 8

Level unit by adjusting the adjustable levelers on bottom of feet. (See Figure 2)

Note: Unit must be level to proceed.

Attach Wedges to unit with 1/2" Flat Head Screws. (See Figure 3)

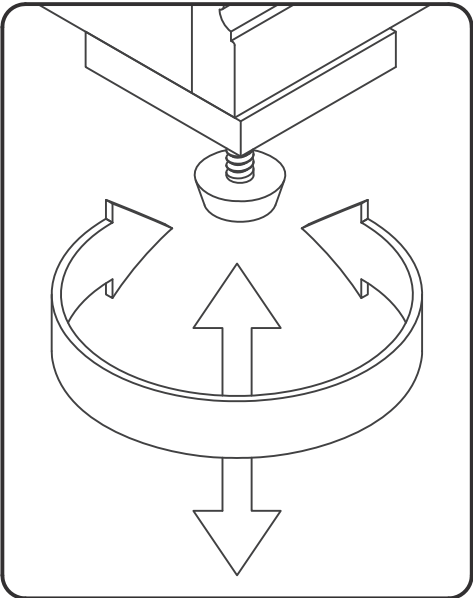
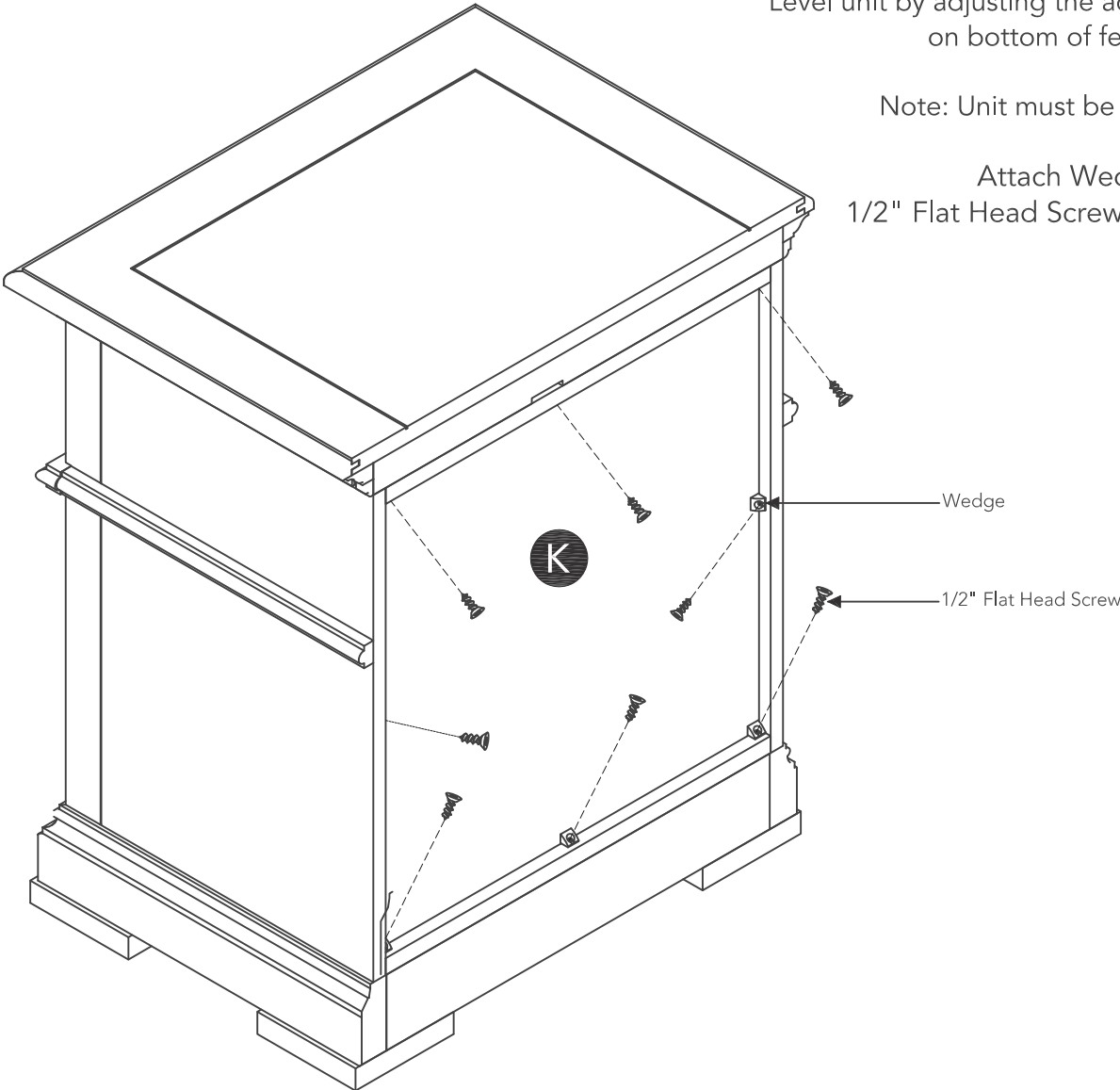


Figure 2

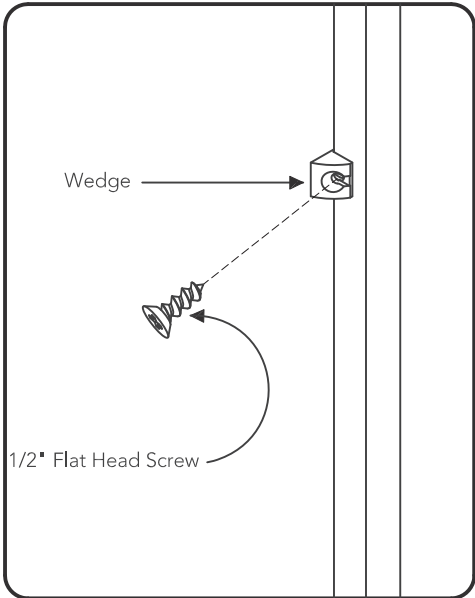


Figure 3

# Assembly Instructions 7/10

## IMPORTANT

- To help reduce the risk of the unit tipping over, the Tipover Restraint must be installed following these instructions exactly.

## STEP 9

Place unit at desired location.

Mark wall with pencil just above and in-line with hole in Top (A). (See Figure 4)

Move unit.

Drill a 3/8" hole in wall 1 1/2" below mark.

Insert Anchor into the wall hole and attach Tipover Restraint to Anchor with 1 1/2" Round Head Screw and Flat Washer. (See Figure 5)

Move unit back into place and insert Tipover Restraint into unit through hole in Top (A). (See Figure 6)

Attach Tipover Restraint to unit with 1/2" Round Head Screw and Flat Washer. (See Figure 7)

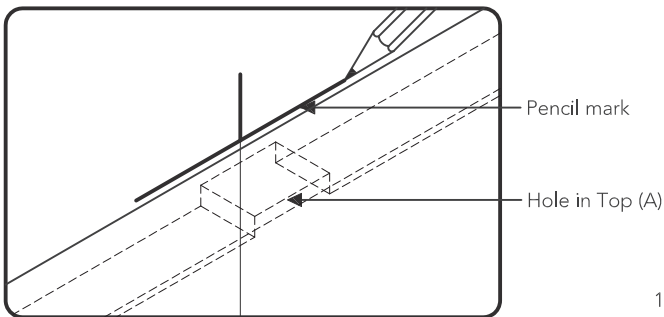
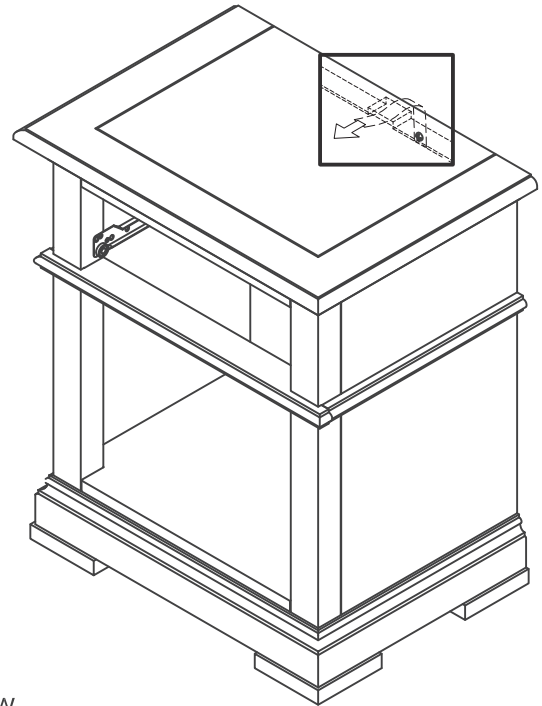


Figure 4

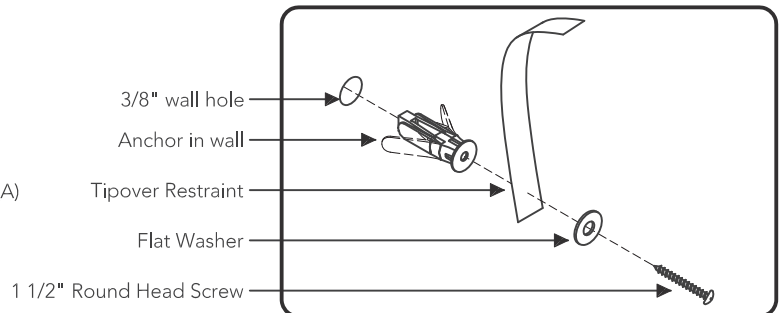


Figure 5

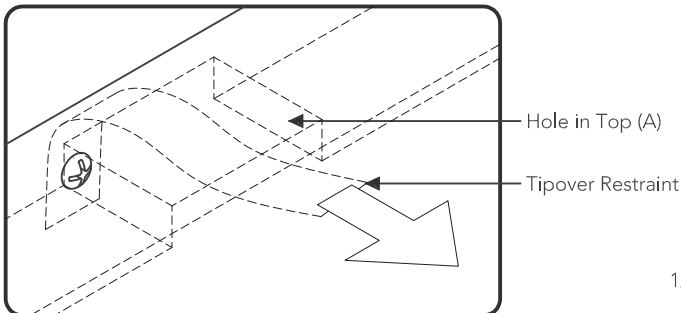


Figure 6

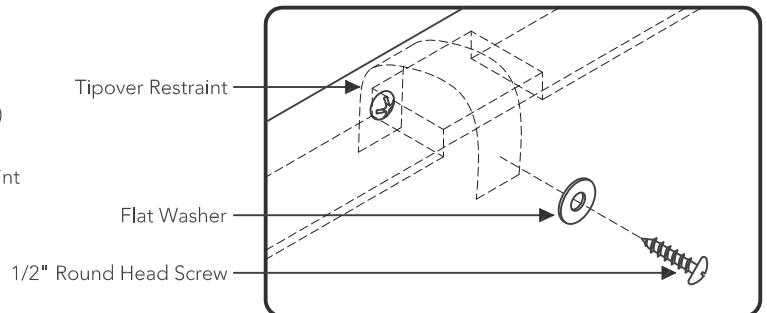
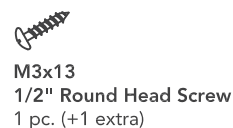
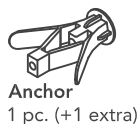


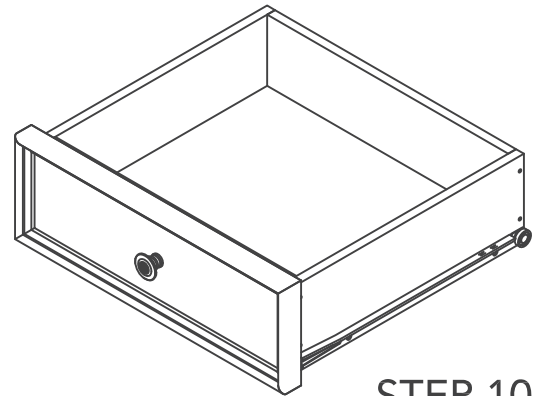
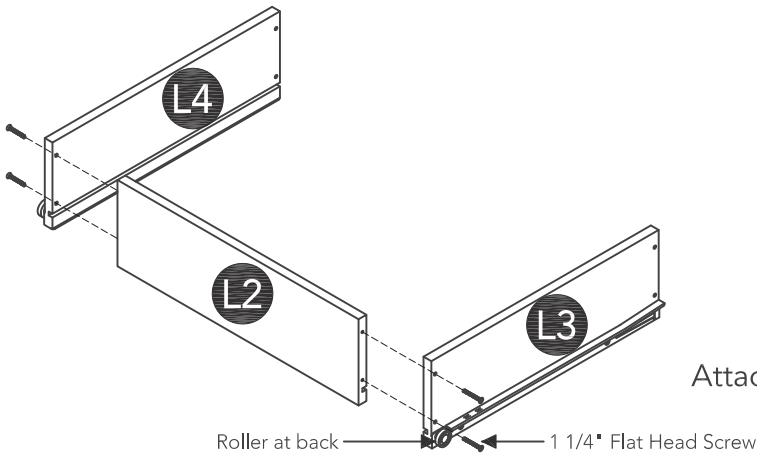
Figure 7

## Hardware List



# Assembly Instructions 8/10

## Drawer (L)



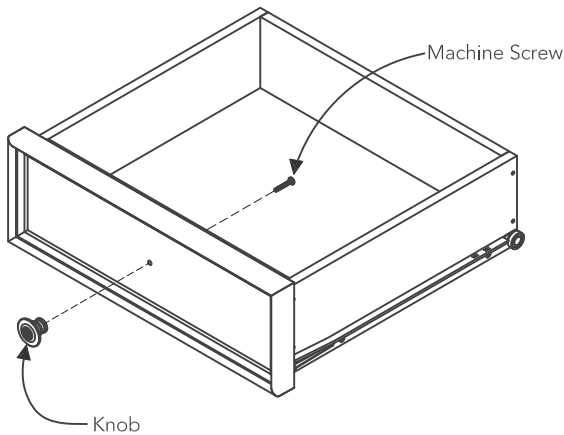
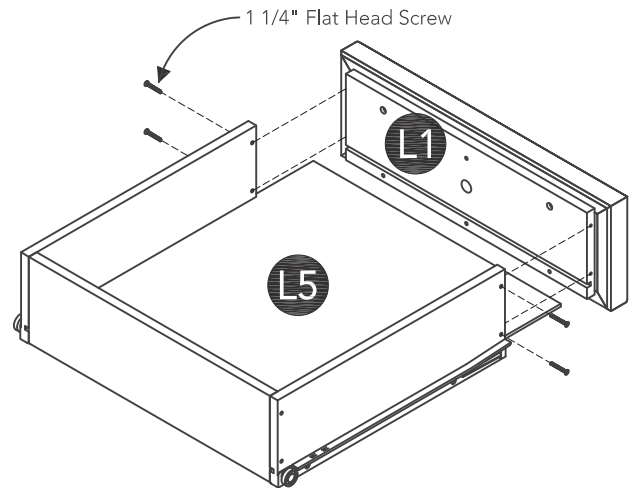
STEP 10

Attach Drawer Sides (L3) and (L4) to Drawer Back (L2) with 1 1/4" Flat Head Screws.

## STEP 11

Insert Drawer Bottom (L5) into groove.

Attach Drawer Front (L1) to unit with 1 1/4" Flat Head Screws.

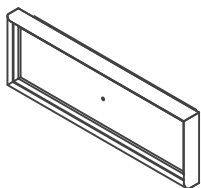


STEP 12

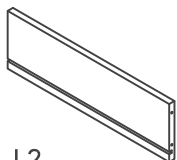
Attach Knob with Machine Screw.

Note: Drawer assembly is not complete until 3/4" Flat Head Screws are used in a later step.

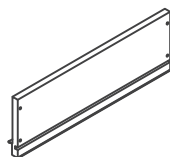
## Part List



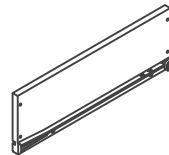
L1.  
Drawer Front  
1 pc.



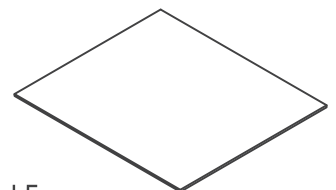
L2.  
Drawer Back  
1 pc.



L3.  
Drawer Side  
1 pc.



L4.  
Drawer Side  
1 pc.



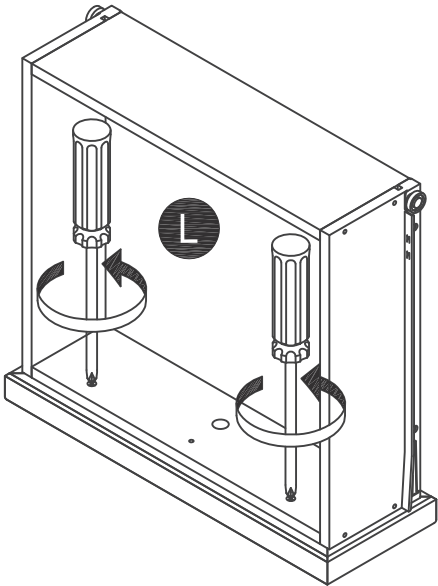
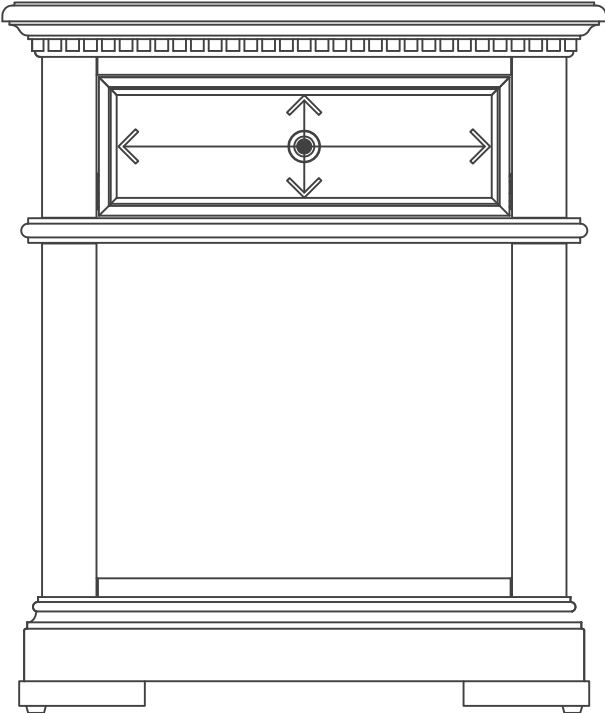
L5.  
Drawer Bottom  
1 pc.



# Assembly Instructions 9/10

## STEP 13

Loosen slightly screws pre-installed on back of drawer front.



## STEP 14

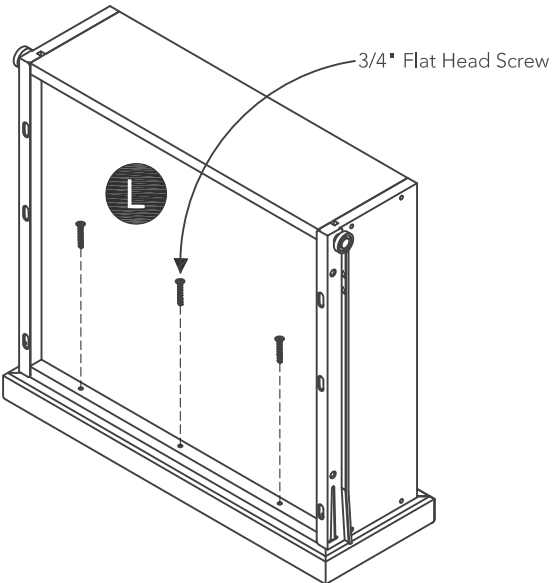
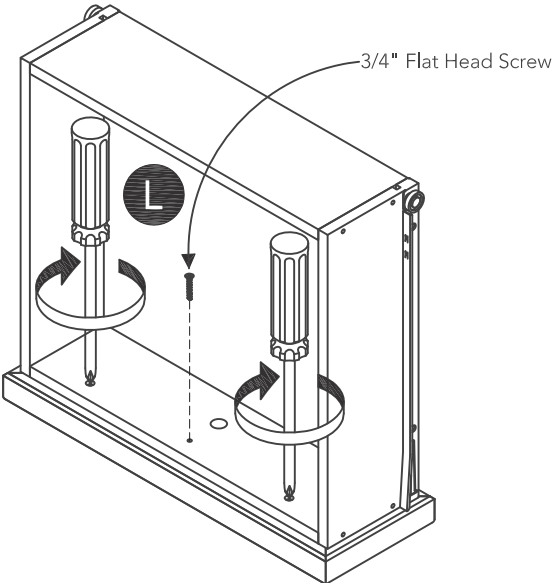
Insert drawer into unit, then adjust drawer front panel left or right and up or down until drawer gaps look proportional.

## STEP 15

Pull drawer open slowly, then re-tighten screws from Step 13.

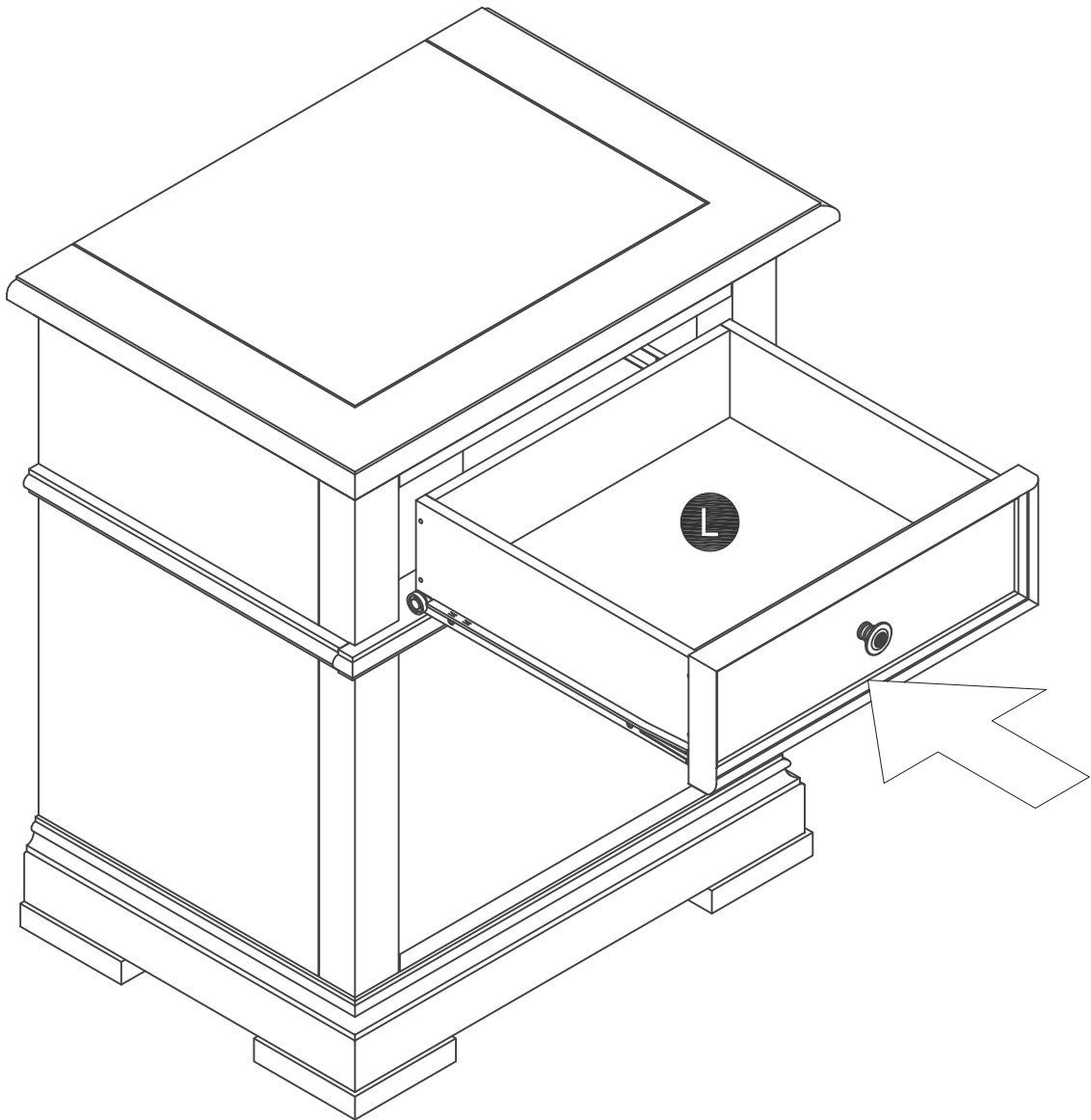
Make sure drawer front panel does not move and lock drawer front panel into position with 3/4" Flat Head Screws.

Note: These 3/4" Flat Head Screws must be installed to complete the drawer assembly.



STEP 16

Slide Drawer (L) into position.



# CARE INSTRUCTIONS

## NEVER

allow liquids to remain on furniture.  
Absorption causes parts to warp  
and split and finishes to delaminate.

## NEVER

use glass cleaners on  
finished furniture. Ammonia  
chemically attacks the finish.



Do not use power tools  
above 8 volts to assemble.  
**PREVENT  
CRACKING**



Do not place  
in direct sunlight.  
**PREVENT  
FADING**



Do not write  
directly on surface.  
**PREVENT  
MARKING**



Do not place hot  
objects on surface.  
**PREVENT  
FINISH DAMAGE**



Do not use rubber  
based placemats.  
**PREVENT  
DISCOLORING**



Do not use commercial  
waxes and polishes.  
**PREVENT  
YELLOWING**

## CLEAN

with a soft cloth moistened  
in lukewarm soap and water.  
Buff with a dry clean cloth.



Home Styles will provide replacements free of charge for missing or damaged hardware or parts within 30 days of purchase. Digital images of the defective parts may be required. If the product was not purchased from an authorized retail affiliate, Home Styles is under no obligation to provide replacement parts. Parts are not available for fully assembled items nor are parts available for sale. Replacements for missing or damaged hardware or parts may be requested at:  
[www.homestyles-furniture.com/customer-service/replacement-parts](http://www.homestyles-furniture.com/customer-service/replacement-parts)

Home Styles Customer Service: [www.homestyles-furniture.com](http://www.homestyles-furniture.com),  
[servicedesk@homestyles-furniture.com](mailto:servicedesk@homestyles-furniture.com), 888-680-7460, 877-831-0319