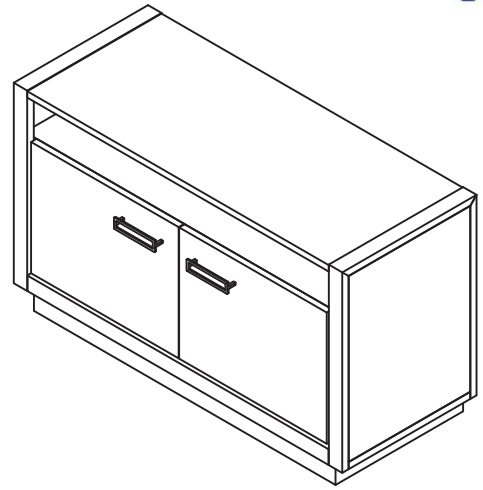




20 05506 0009

Entertainment Stand



IMPORTANT

Carefully remove all the parts from the carton and place them individually on a soft cloth to prevent scratches or other damage.

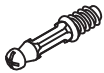






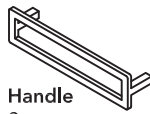




Carefully and strictly follow these assembly instructions to ensure a completed product as designed.

Do not use power tools above 8 volts to assemble.

Part List

- A. Top 1 pc.
- B. Side Panel 1 pc.
- C. Side Panel 1 pc.
- D. Shelf 1 pc.
- E. Middle Panel 1 pc.
- F. Shelf 2 pcs.
- G. Door 1 pc.
- H. Door 1 pc.
- I. Back Panel 1 pc.
- J. Back Panel 1 pc.
- K. Bottom Rail 1 pc.
- L. Bottom Rail 1 pc.
- M. Bottom Panel 1 pc.
- N. Bottom 1 pc.

Hardware List

 Cam Lock Screw 37 pcs. (+4 extra)	 Cam Lock 37 pcs. (+4 extra)	 M4x32 1 1/4" Round Head Screw 7 pcs. (+1 extra)	 M4x25 1" Round Head Screw 8 pcs. (+1 extra)	 M3x13 1/2" Round Head Screw 26 pcs. (+1 extra)	 M3x13 1/2" Flat Head Screw 6 pcs. (+1 extra)
 5/32"x1" Machine Screw 4 pcs.	 Handle 2 pcs.	 Hinge 4 pcs.	 Wedge 6 pcs. (+1 extra)	 Dowel 20 pcs. (+1 extra)	 Adjustable Pin 8 pcs. (+1 extra)

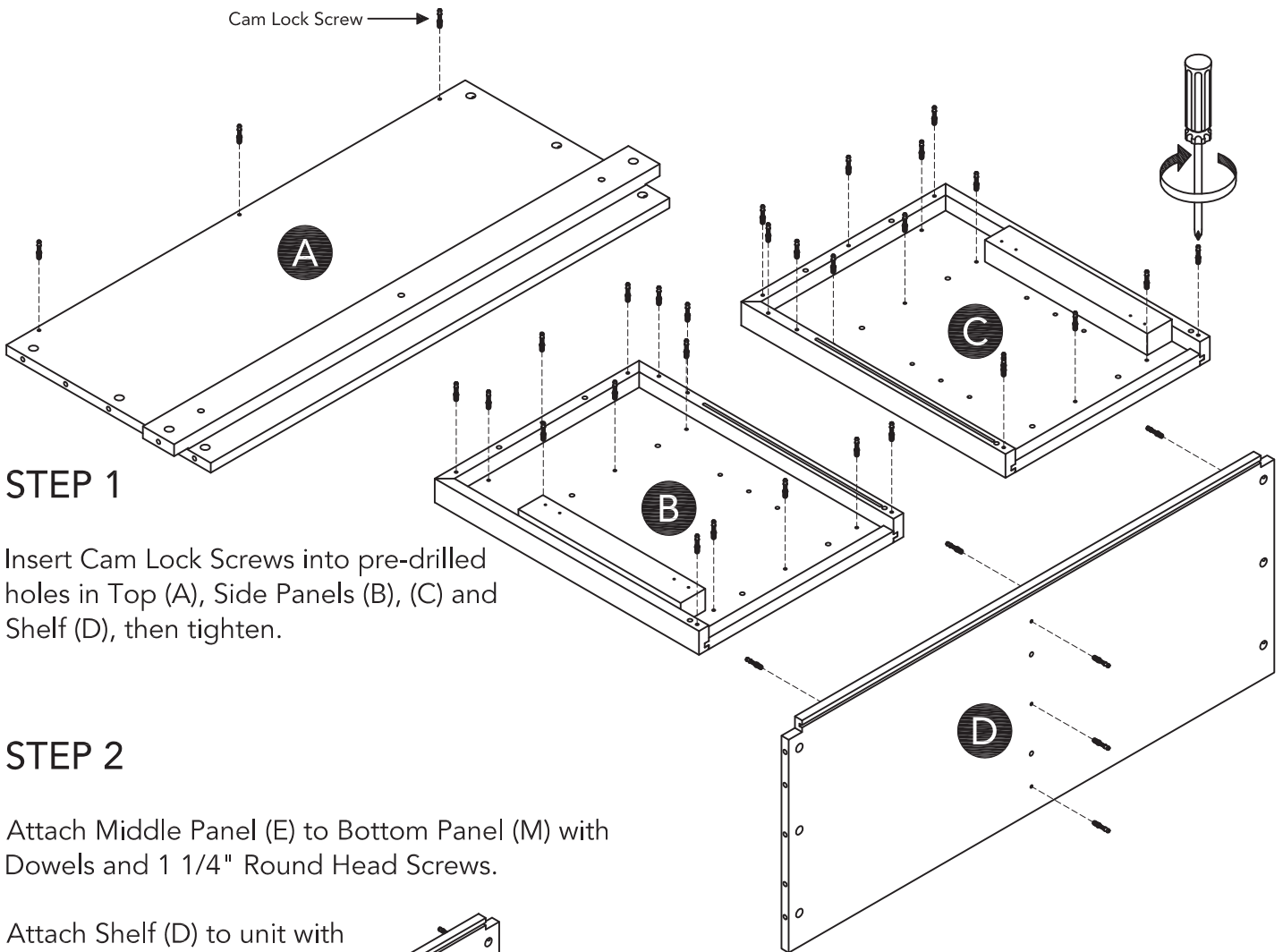
Tool(s) required for assembly: Phillips screwdriver, Level, Pencil, Drill (8 volts or less), 3/8" Drill Bit

Home Styles Customer Service: www.homestyles-furniture.com,
servicedesk@homestyles-furniture.com, 888-680-7460, 877-831-0319

Assembly Instructions 2/8

IMPORTANT

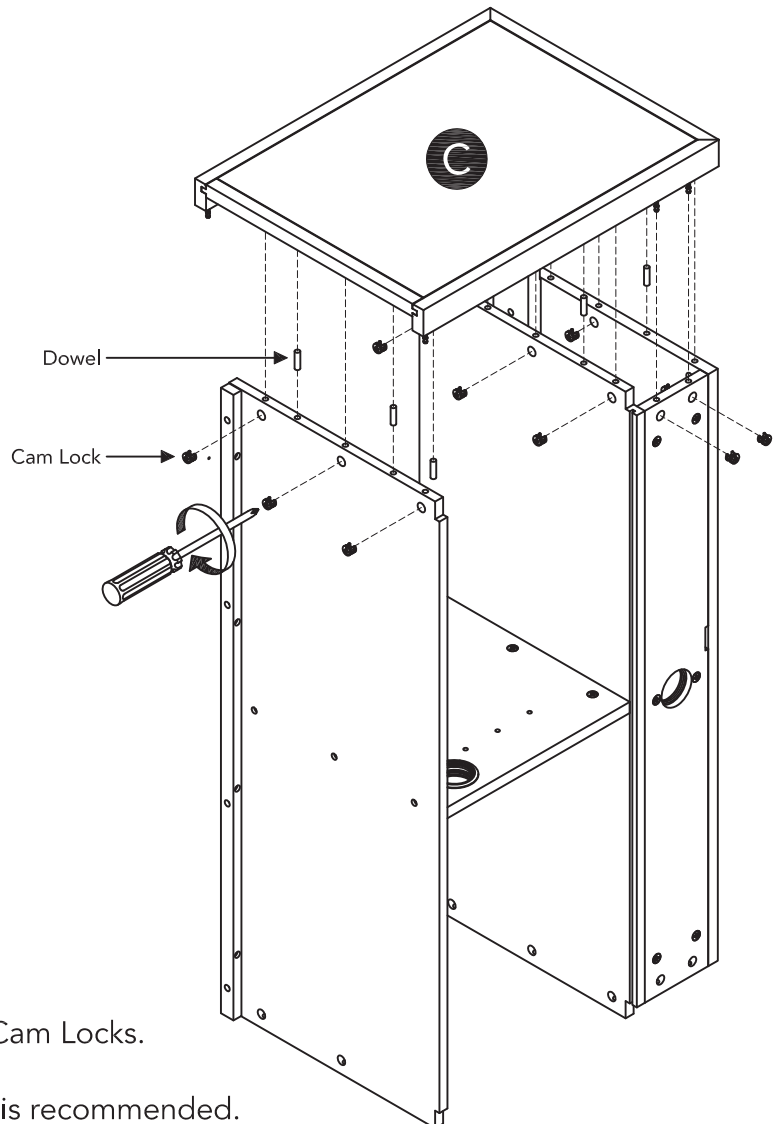
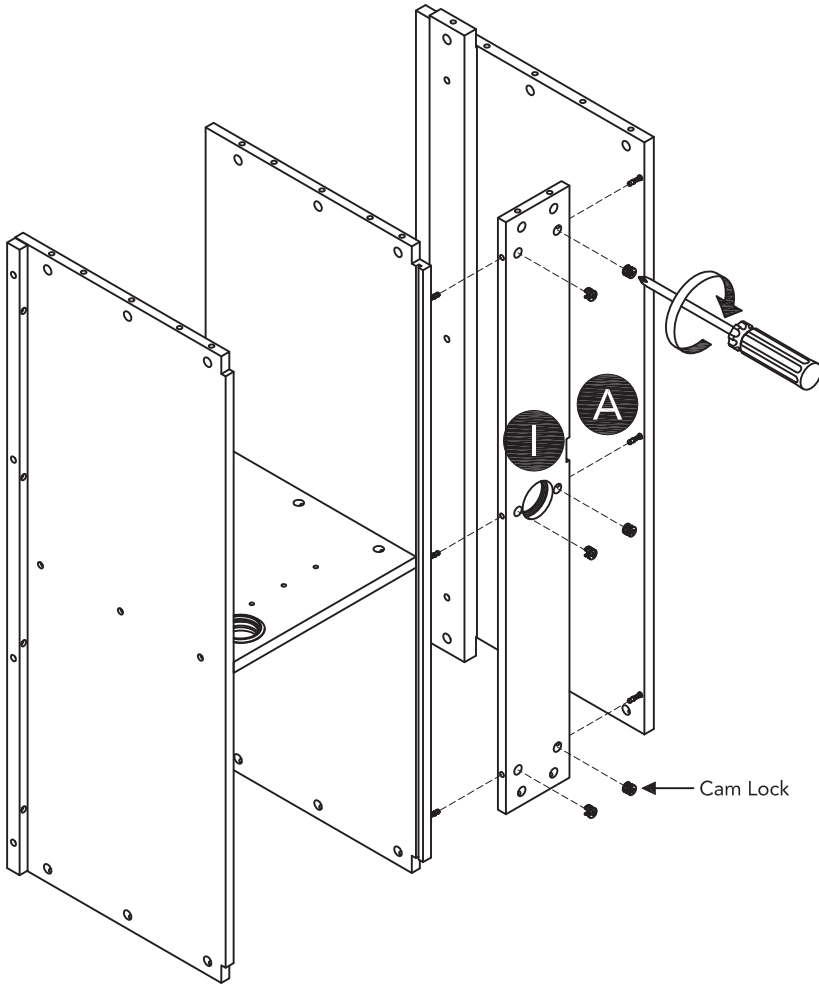
- Use a soft cloth between these parts and the floor.
- Do not use power tools above 8 volts to assemble.
- Do not tighten all the screws until each part is properly assembled.
- The unit must be level to work properly. Use the included adjustable levelers to level.



Assembly Instructions 3/8

STEP 3

Attach Top (A) and unit to Back Panel (I) with Cam Locks.



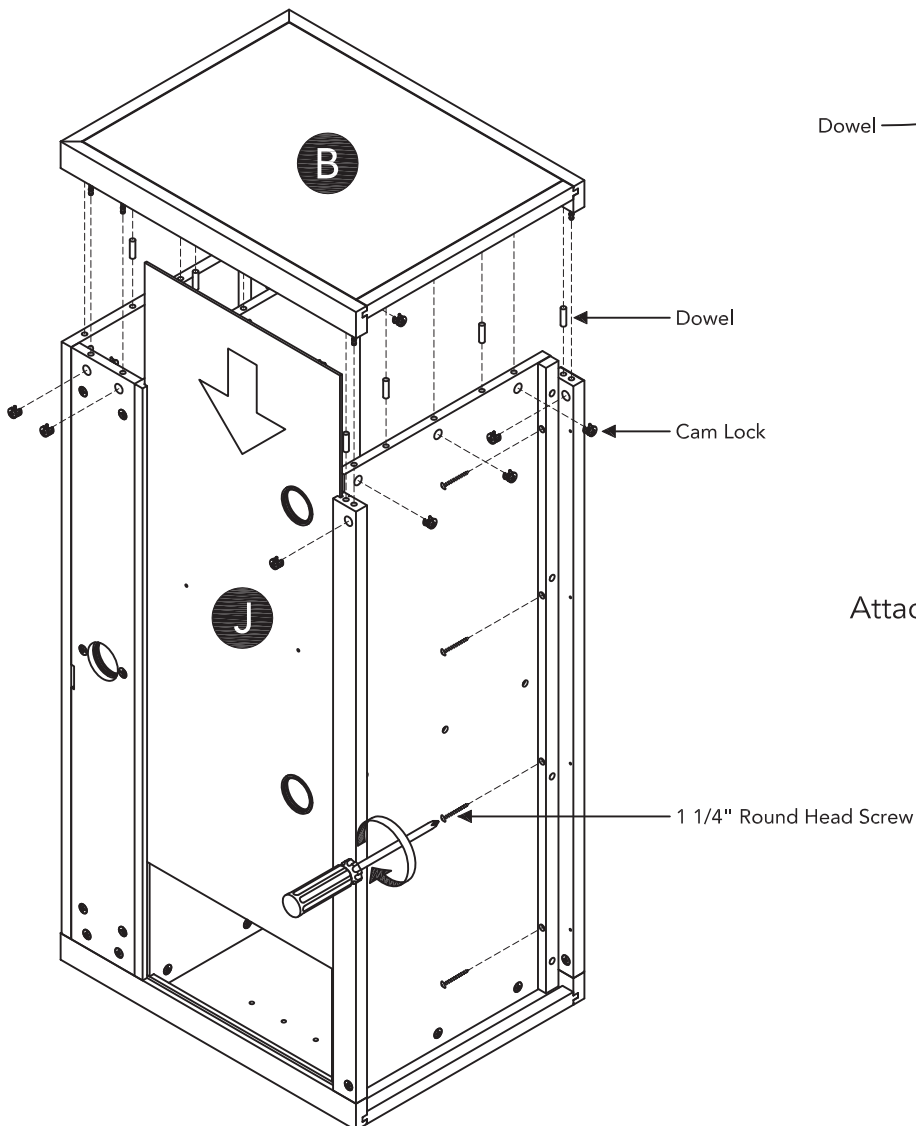
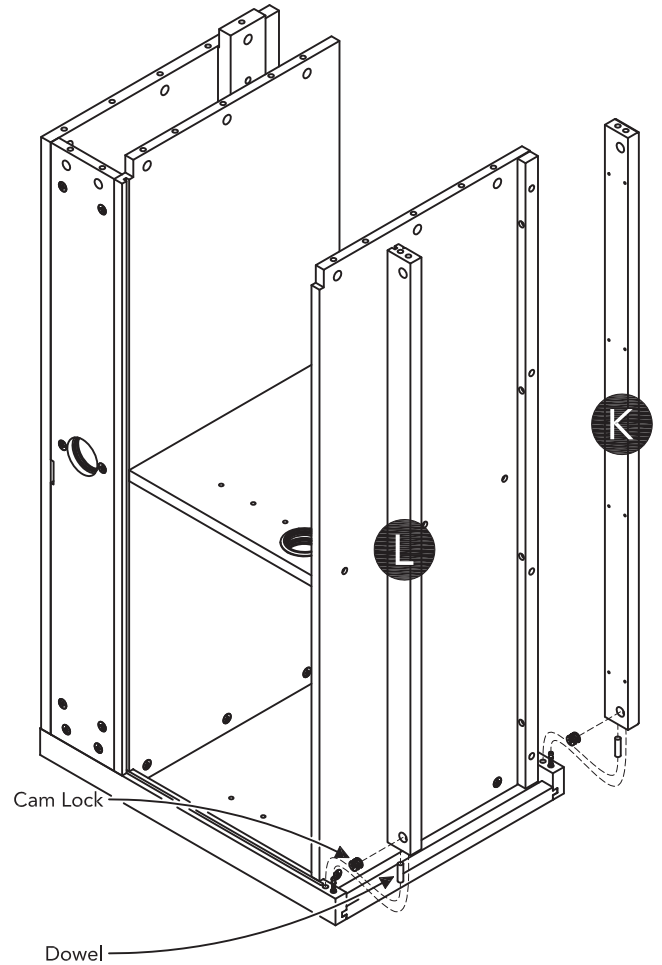
STEP 4

Attach Side Panel (C) to unit with Dowels and Cam Locks.

Note: A Philips screwdriver 5" or less in length is recommended.

STEP 5

Attach Bottom Rails (K) and (L) to unit with Dowels and Cam Locks.



STEP 6

Slide Back Panel (J) into position.

Attach Side Panel (B) to unit with Dowels and Cam Locks.

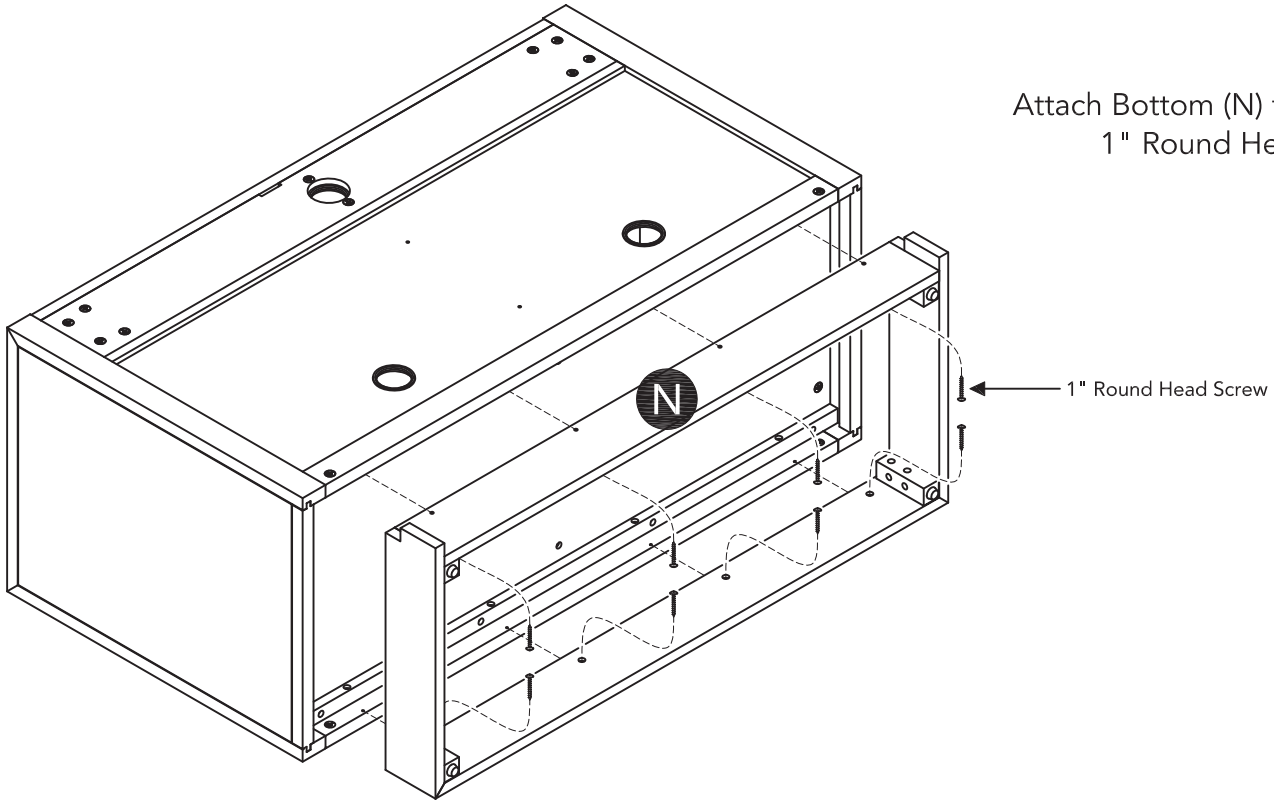
Attach 1 1/4" Round Head Screws to unit.

Note: A Philips screwdriver 5" or less in length is recommended.

Assembly Instructions 5/8

STEP 7

Attach Bottom (N) to unit with 1" Round Head Screws.



STEP 8

Turn unit to its upright position.

Level unit by adjusting the adjustable levelers on bottom of unit. (See Figure 2)

Note: Unit must be level to proceed.

Attach 1/2" Round Head Screws to unit.

Attach Wedges to unit with 1/2" Flat Head Screws. (See Figure 3)

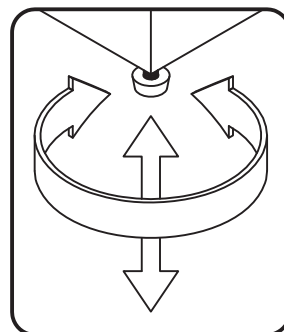
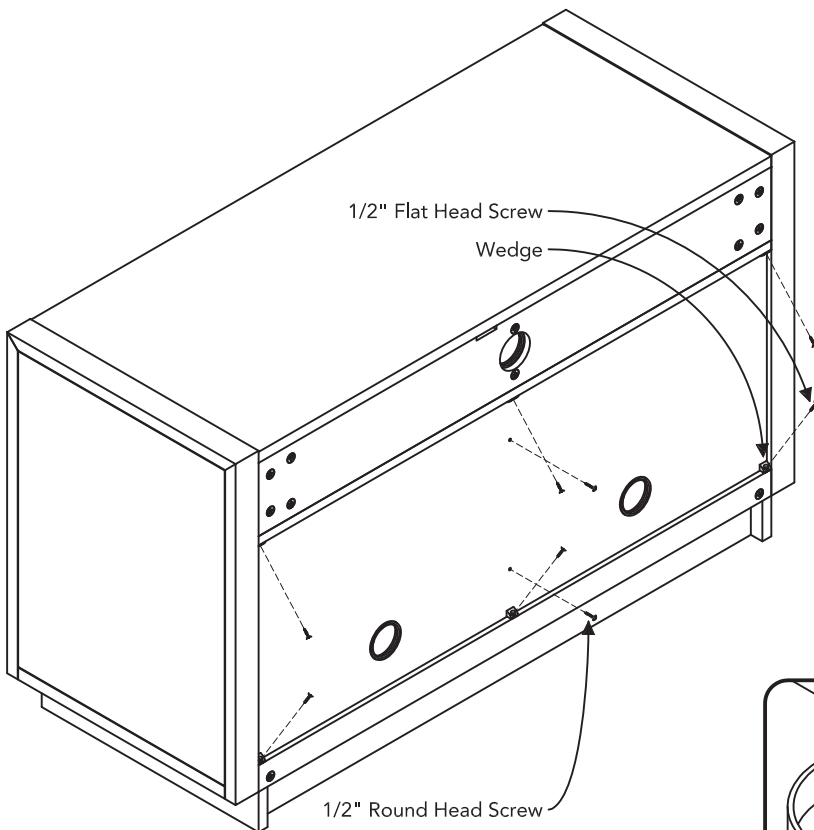


Figure 2

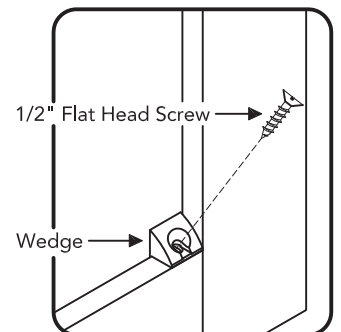


Figure 3

Assembly Instructions 6/8

IMPORTANT

- To help reduce the risk of the unit tipping over, the Tipover Restraint must be installed following these instructions exactly.

STEP 9

Place unit at desired location.

Mark wall with pencil just above and in-line with hole in Back Panel (I). (See Figure 4)

Move unit.

Drill a 3/8" hole in wall 1 1/2" below mark.

Insert Anchor into the wall hole and attach Tipover Restraint to Anchor with 1 1/2" Round Head Screw and Flat Washer. (See Figure 5)

Move unit back into place and insert Tipover Restraint into unit through hole in Back Panel (I). (See Figure 6)

Attach Tipover Restraint to unit with 1/2" Round Head Screw and Flat Washer. (See Figure 7)

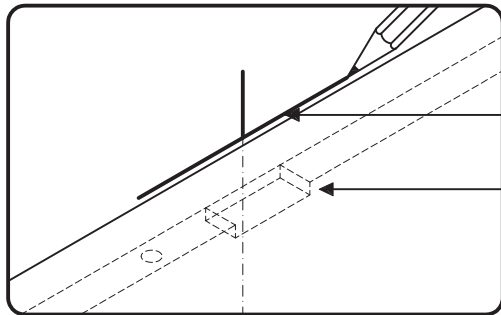
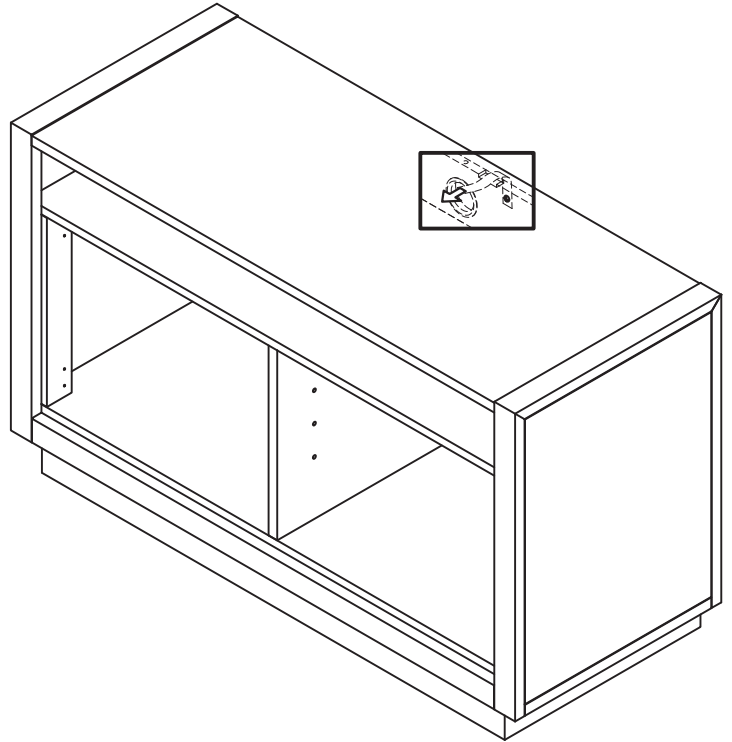


Figure 4

Pencil mark

Hole in Back Panel (I)

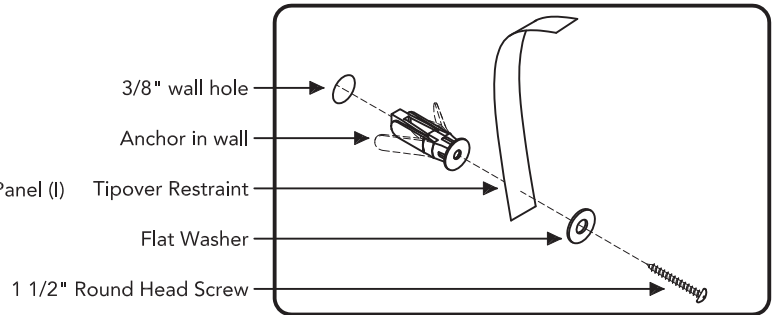


Figure 5

3/8" wall hole

Anchor in wall

Tipover Restraint

Flat Washer

1 1/2" Round Head Screw

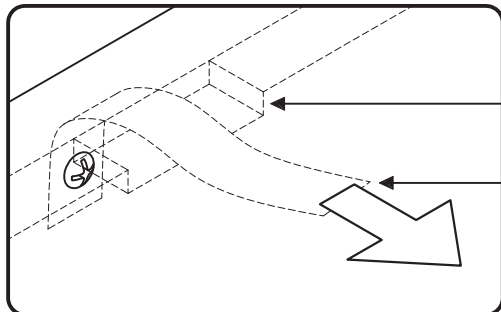


Figure 6

Hole in Back Panel (I)

Tipover Restraint

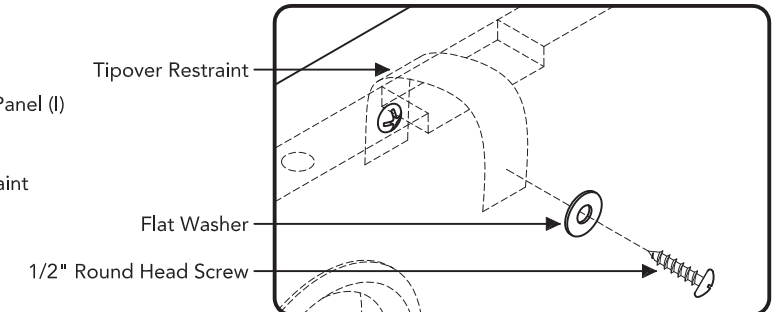


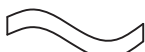
Figure 7

Tipover Restraint

Flat Washer

1/2" Round Head Screw

Hardware List



Tipover Restraint
1 pc.



Anchor
1 pc. (+1 extra)



M3x38
1 1/2" Round Head Screw
1 pc. (+1 extra)



M3x13
1/2" Round Head Screw
1 pc. (+1 extra)



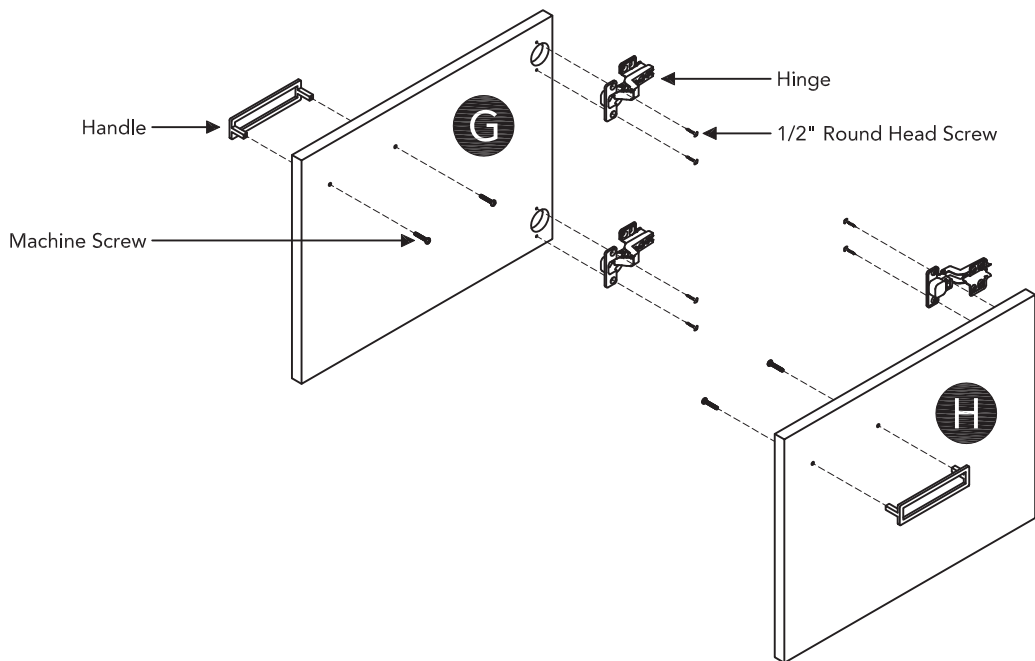
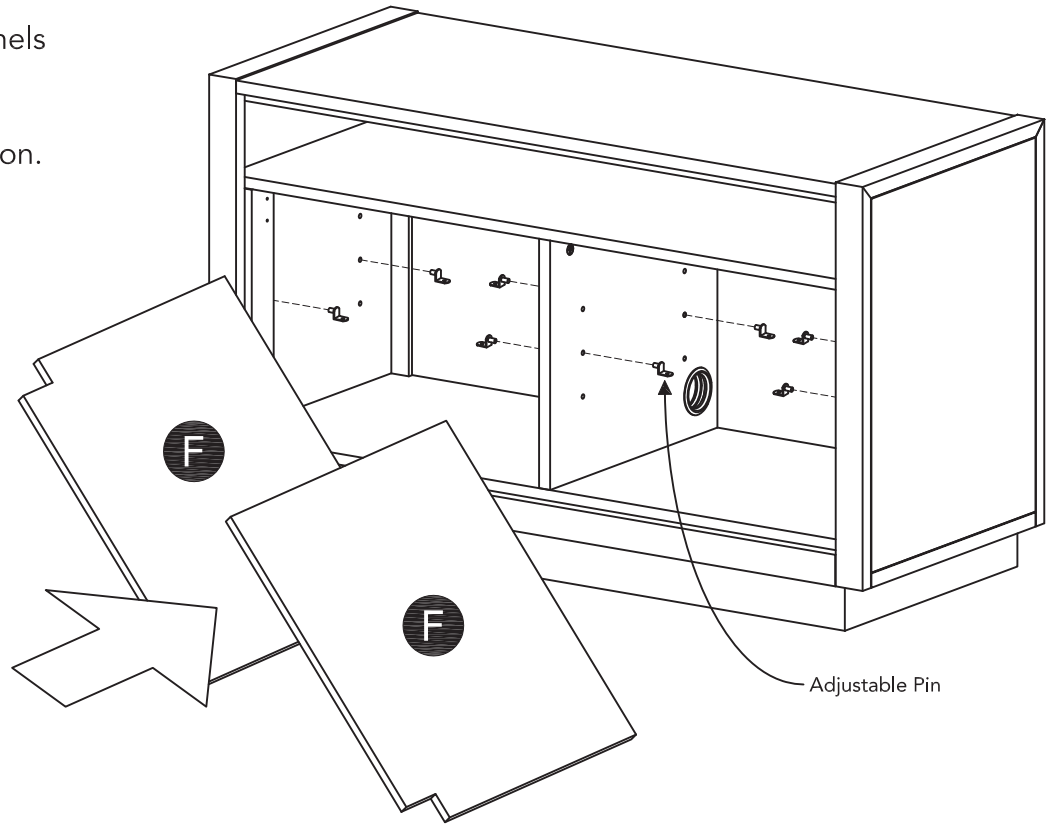
Flat Washer
2 pcs. (+1 extra)

Assembly Instructions 7/8

STEP 10

Insert Adjustable Pins into side panels and middle panels at desired level.

Place Shelves (F) into position.



STEP 11

Attach Hinges to Doors (G) and (H) with 1/2" Round Head Screws.

Attach Handles to Doors (G) and (H) with Machine Screws.

Assembly Instructions 8/8

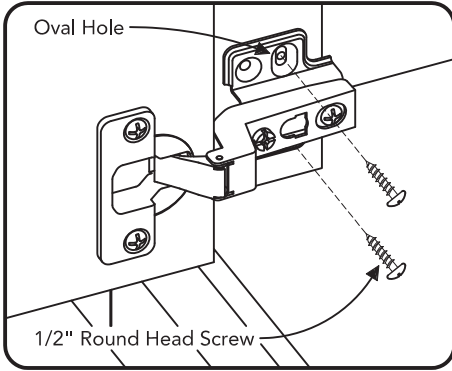
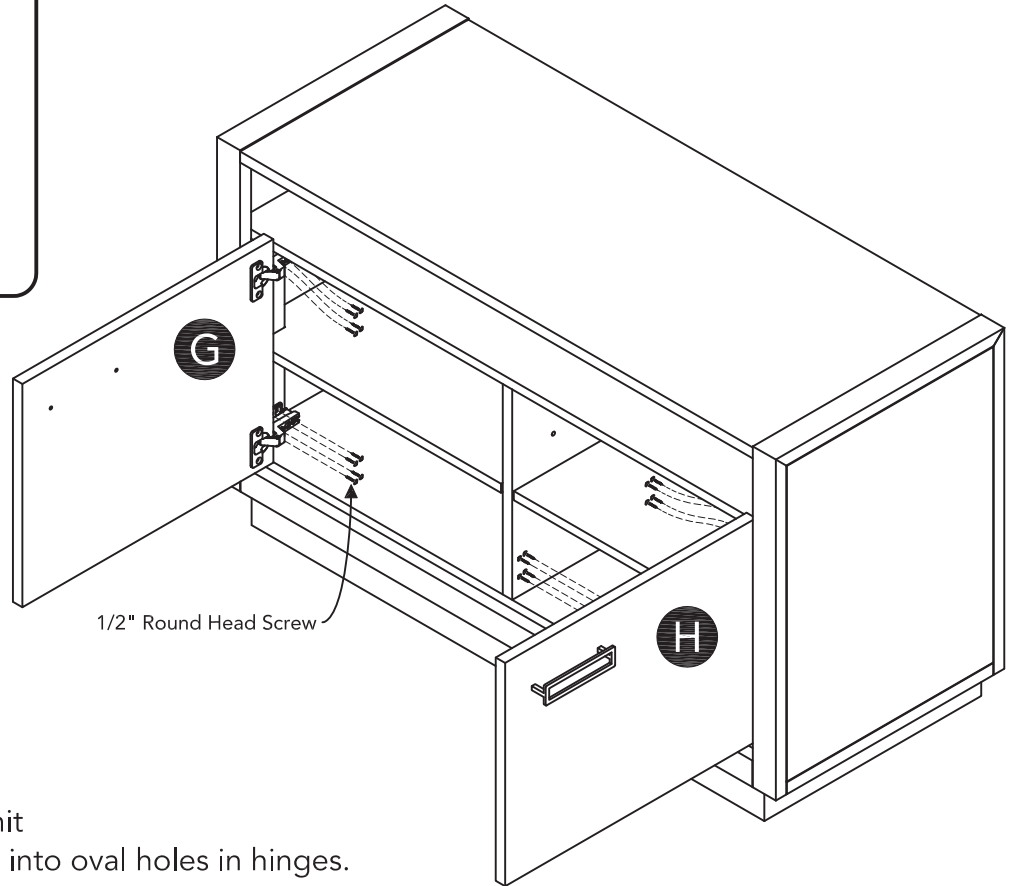


Figure 8



STEP 12

Attach Doors (G) and (H) to unit with 1/2" Round Head Screws into oval holes in hinges. (See Figure 8)

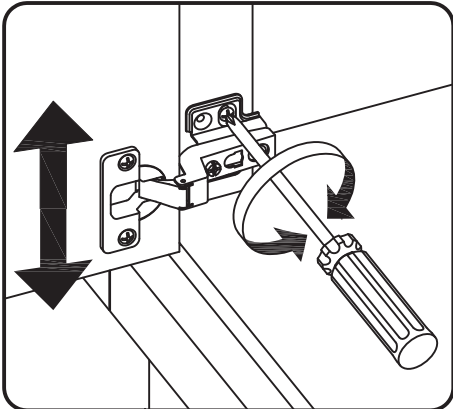


Figure 9

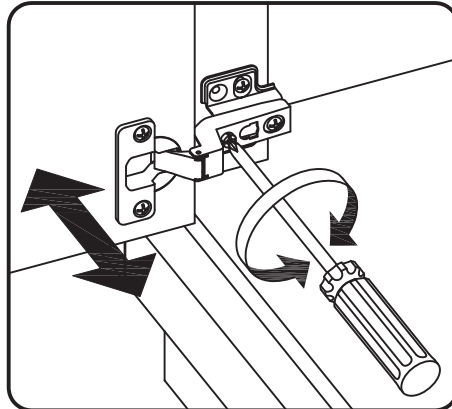


Figure 10

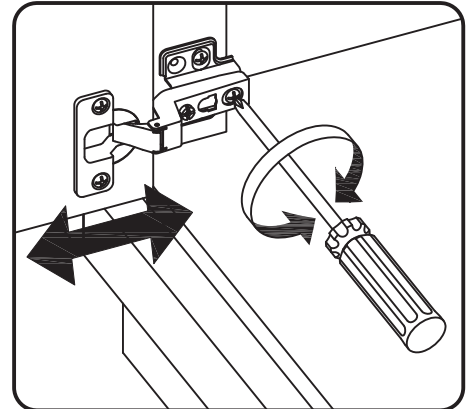


Figure 11

If needed, adjust doors up or down by loosening slightly 1/2" Round Head Screws from side panel, adjusting doors up or down and re-tightening screws. (See Figure 9)

If needed, adjust doors left to right. (See Figure 10)

If needed, adjust doors front to back. (See Figure 11)

Make sure doors do not move and lock doors into position with 1/2" Round Head Screws into round holes in hinges. (See Figure 12)

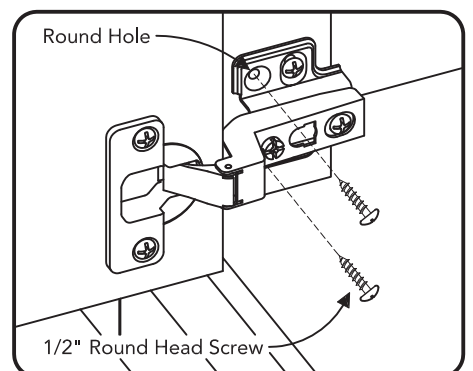


Figure 12

CARE INSTRUCTIONS

NEVER

allow liquids to remain on furniture.
Absorption causes parts to warp
and split and finishes to delaminate.

NEVER

use glass cleaners on
finished furniture. Ammonia
chemically attacks the finish.



Do not use power tools
above 8 volts to assemble.
**PREVENT
CRACKING**



Do not place
in direct sunlight.
**PREVENT
FADING**



Do not write
directly on surface.
**PREVENT
MARKING**



Do not place hot
objects on surface.
**PREVENT
FINISH DAMAGE**



Do not use rubber
based placemats.
**PREVENT
DISCOLORING**



Do not use commercial
waxes and polishes.
**PREVENT
YELLOWING**

CLEAN

with a soft cloth moistened
in lukewarm soap and water.
Buff with a dry clean cloth.



Home Styles will provide replacements free of charge for missing or damaged hardware or parts within 30 days of purchase. Digital images of the defective parts may be required. If the product was not purchased from an authorized retail affiliate, Home Styles is under no obligation to provide replacement parts. Parts are not available for fully assembled items nor are parts available for sale. Replacements for missing or damaged hardware or parts may be requested at:
www.homestyles-furniture.com/customer-service/replacement-parts

Home Styles Customer Service: www.homestyles-furniture.com,
servicedesk@homestyles-furniture.com, 888-680-7460, 877-831-0319