

Assembly Instructions 7/11

STEP 10

Turn unit to its upright position.

Attach Connector Plates to unit with 3/4" Flat Head Screws. (See Figure 5)

Level unit by adjusting the adjustable levelers on bottom of unit. (See Figure 6)

Note: Unit must be level to work properly.

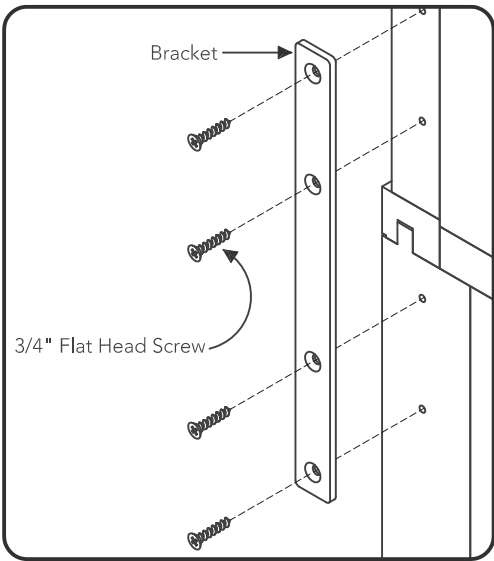


Figure 5

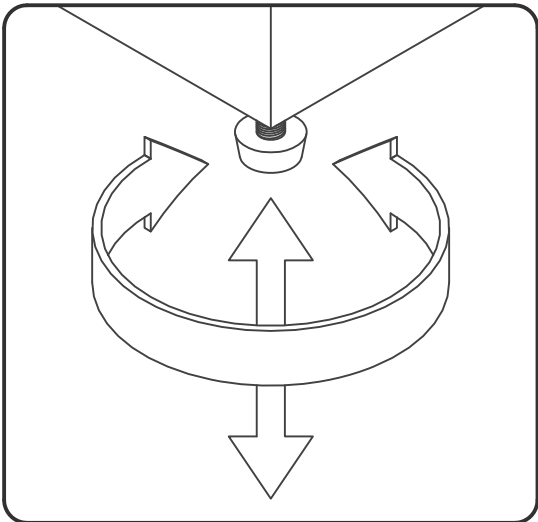
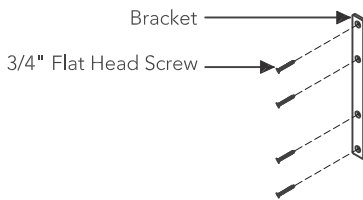
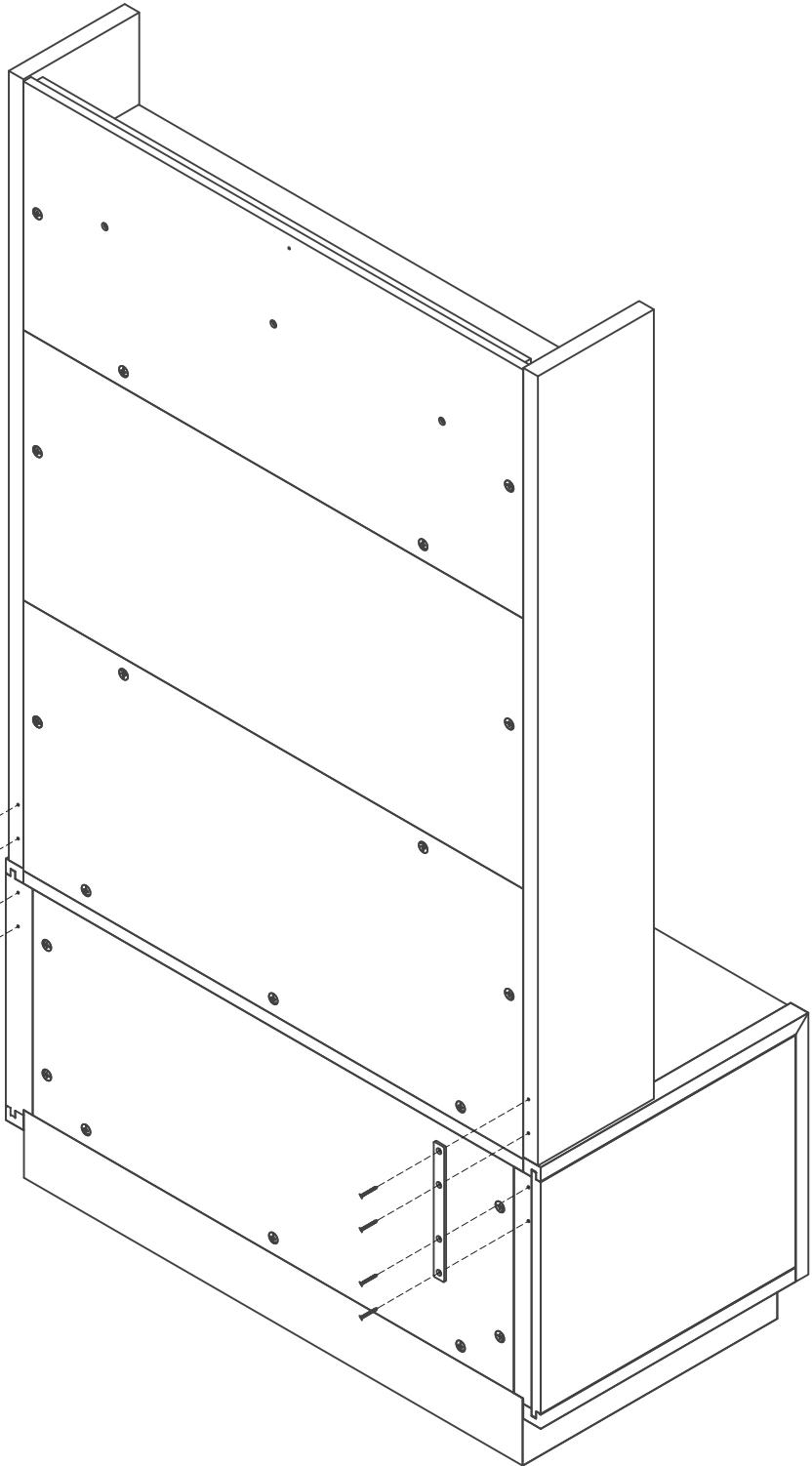


Figure 6



Assembly Instructions 8/11

IMPORTANT

- To help reduce the risk of the unit tipping over, the Tipover Restraint must be installed following these instructions exactly.

STEP 11

Place unit at desired location.

Drill a 3/8" hole in wall in-line with pre-drilled hole at top of unit.

Move unit.

Insert Anchor into the wall hole and attach Bracket with Wall Screw.

Attach Bracket at pre-drilled hole at top of unit with Wood Screw.

Move unit back into place.

Slide Tipover Restraint through Bracket on wall and Bracket on unit.
(See Figure 7)

Put tie end of Tipover Restraint into lock end of Tipover Restraint and pull until tight.

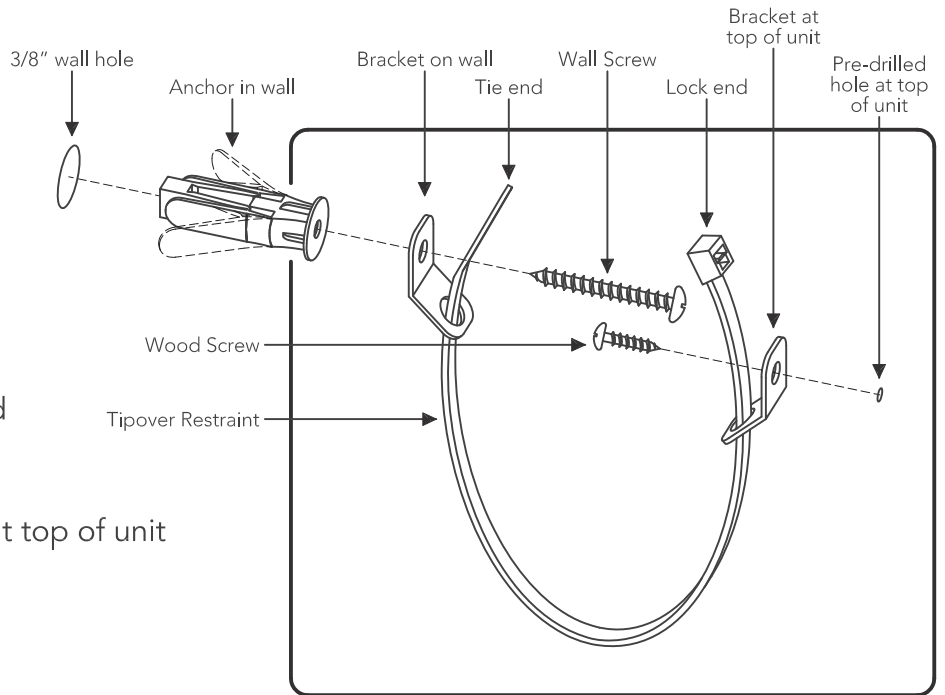
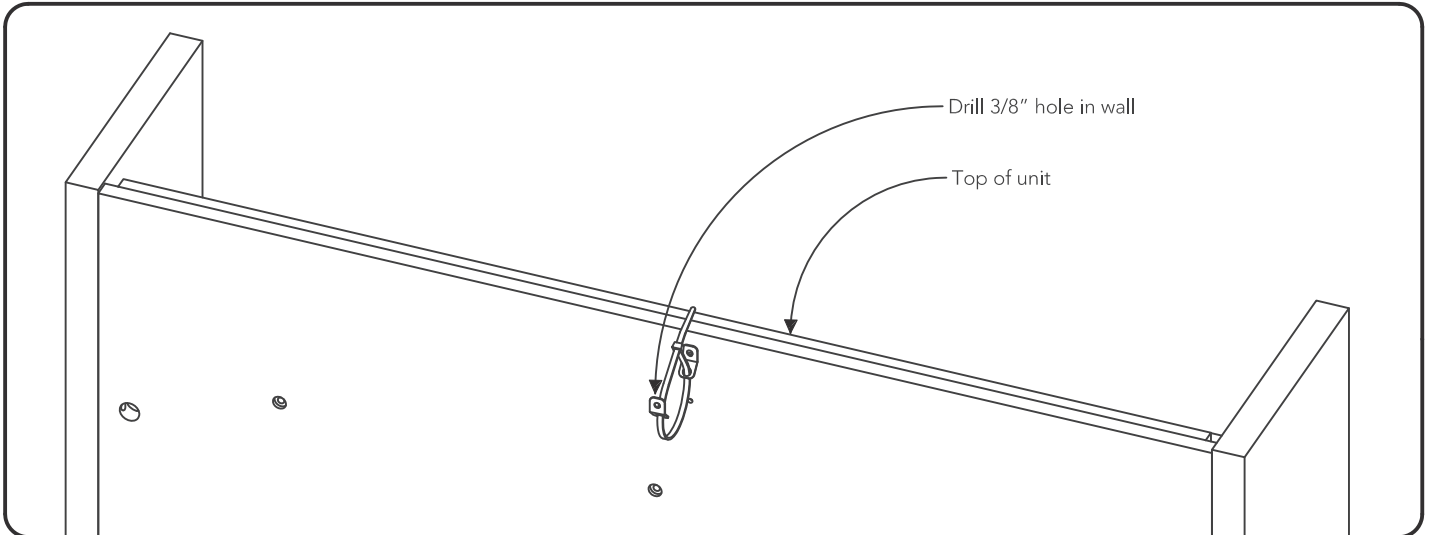
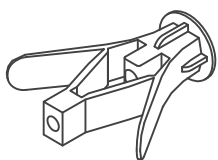


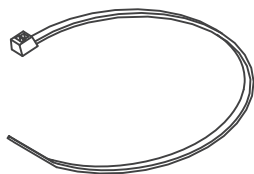
Figure 7



Hardware List



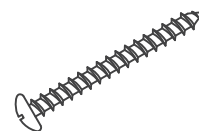
Anchor
1 pc. (+1 extra)



Tipover Restraint
1 pc.



Bracket
2 pcs.



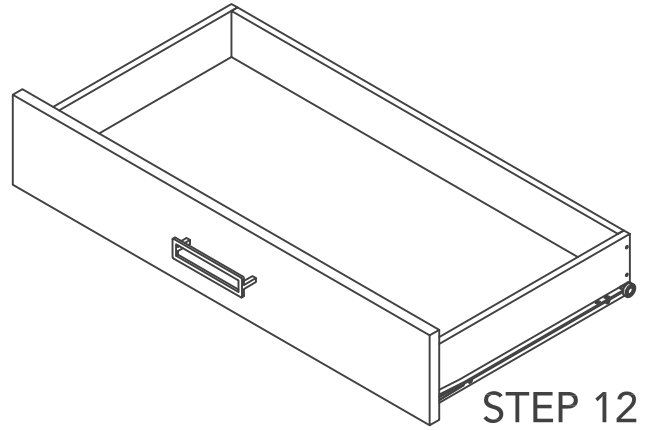
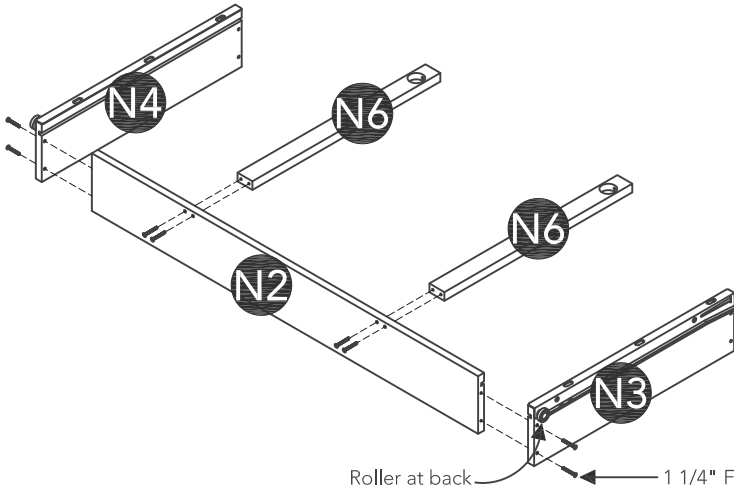
**M3x38
Wall Screw**
1 pc. (+1 extra)



**M3x13
Wood Screw**
1 pc. (+1 extra)

Assembly Instructions 9/11

Drawer (N)



STEP 12

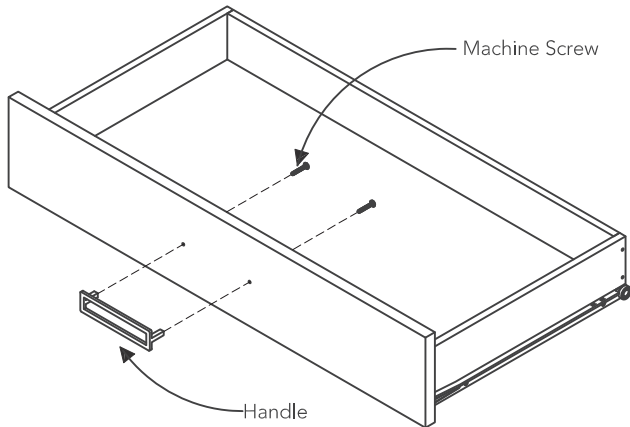
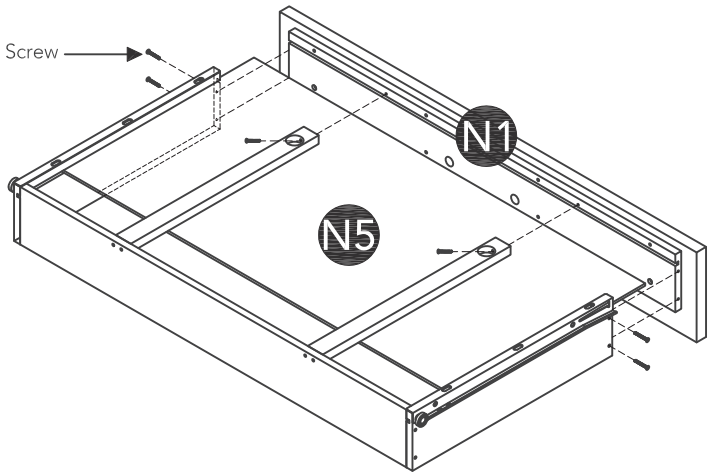
Attach Drawer Sides (N3), (N4) and Drawer Supports (N6) to Drawer Back (N2) with 1 1/4" Flat Head Screws.

STEP 13

Insert Drawer Bottom (N5) into groove.

Attach Drawer Front (N1) to unit with 1 1/4" Flat Head Screws.

1 1/4" Flat Head Screw



Machine Screw

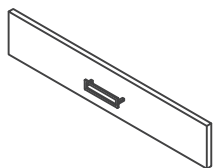
Handle

STEP 14

Attach Handle with Machine Screws.

Note: Drawer assembly is not complete until 3/4" Flat Head Screws are used in a later step.

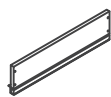
Part List



N1.
Drawer Front
2 pcs.



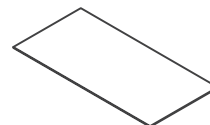
N2.
Drawer Back
2 pcs.



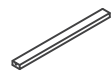
N3.
Drawer Side
2 pcs.



N4.
Drawer Side
2 pcs.



N5.
Drawer Bottom
2 pcs.

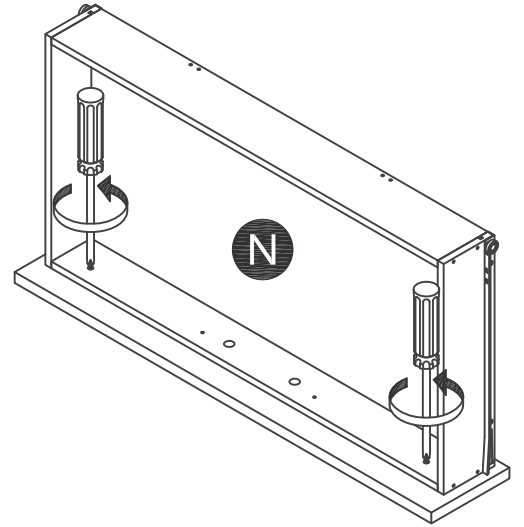
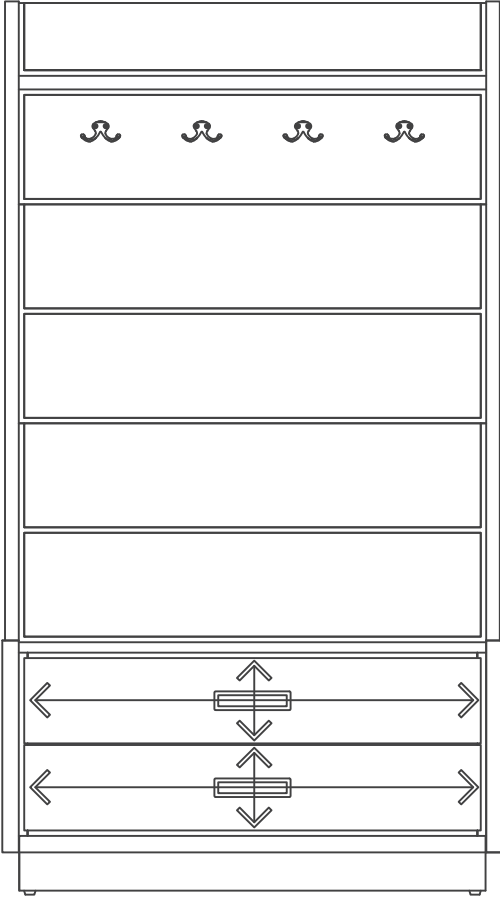


N6.
Drawer Support
4 pcs.

Assembly Instructions 10/11

STEP 15

Loosen slightly screws pre-installed on back of drawer fronts.



STEP 16

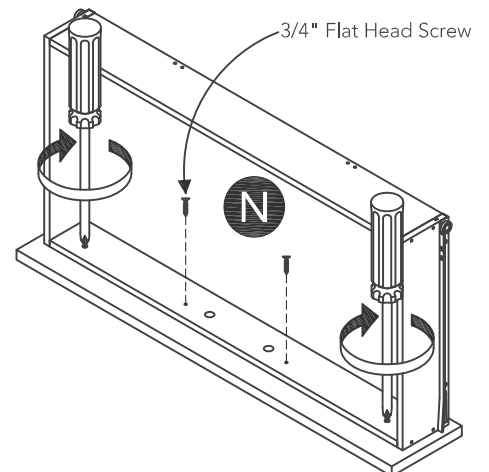
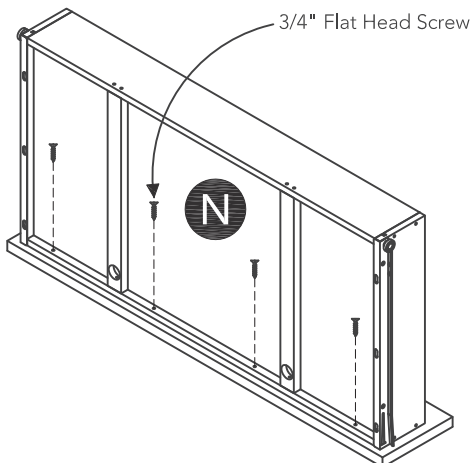
Insert drawers into unit, then adjust drawer front panels left or right and up or down until drawer gaps look proportional.

STEP 17

Pull each drawer open slowly, then retighten screws from Step 15.

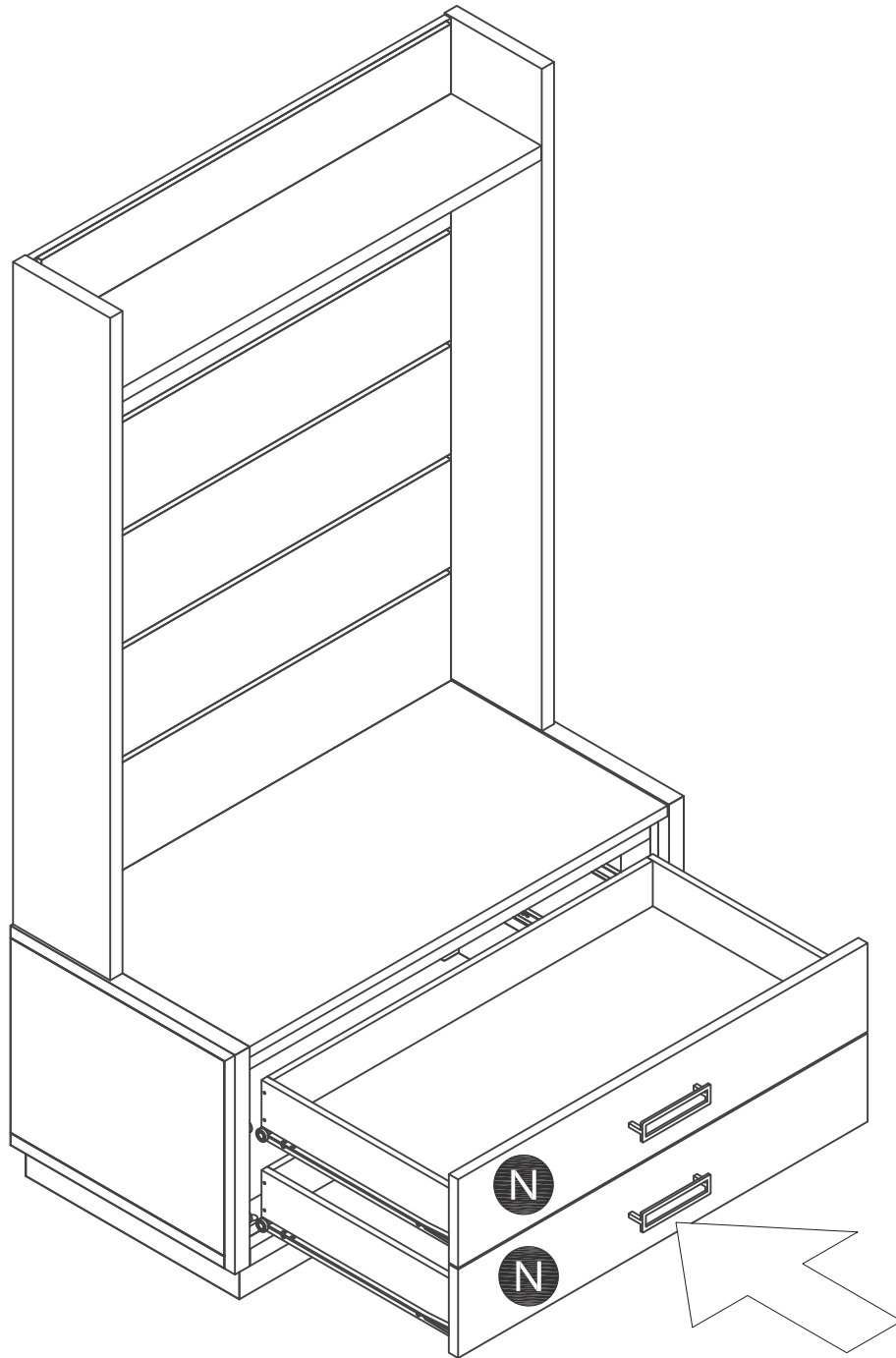
Make sure drawer front panels do not move and lock drawer front panels into position with 3/4" Flat Head Screws.

Note: These 3/4" Flat Head Screws must be installed to complete the drawer assembly.



STEP 18

Slide Drawers (N) into position.



CARE INSTRUCTIONS

NEVER

allow liquids to remain on furniture.
Absorption causes parts to warp
and split and finishes to delaminate.

NEVER

use glass cleaners on
finished furniture. Ammonia
chemically attacks the finish.



Do not use power tools
above 8 volts to assemble.

PREVENT
CRACKING



Do not place
in direct sunlight.

PREVENT
FADING



Do not write
directly on surface.

PREVENT
MARKING



Do not place hot
objects on surface.

PREVENT
FINISH DAMAGE



Do not use rubber
based placemats.

PREVENT
DISCOLORING



Do not use commercial
waxes and polishes.

PREVENT
YELLOWING

CLEAN

with a soft cloth moistened
in lukewarm soap and water.
Buff with a dry clean cloth.



Home Styles will provide replacements free of charge for missing or damaged hardware or parts within 30 days of purchase. Digital images of the defective parts may be required. If the product was not purchased from an authorized retail affiliate, Home Styles is under no obligation to provide replacement parts. Parts are not available for fully assembled items nor are parts available for sale. Replacements for missing or damaged hardware or parts may be requested at:

www.homestyles-furniture.com/customer-service/replacement-parts

Home Styles Customer Service: www.homestyles-furniture.com,
servicedesk@homestyles-furniture.com, 888-680-7460, 877-831-0319