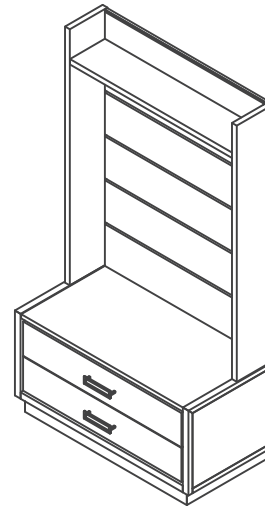




20 05506 0492

Hall Tree



IMPORTANT

Carefully remove all the parts from the carton and place them individually on a soft cloth to prevent scratches or other damage.

Carefully and strictly follow these assembly instructions to ensure a completed product as designed.

Do not use power tools above 8 volts to assemble.

Part List

- N5. Drawer Bottom 2 pcs.
- D. Back Panel 1 pc.
- E. Back Panel 1 pc.
- F. Back Panel 1 pc.
- H. Side Panel 1 pc.
- I. Side Panel 1 pc.
- G. Top 1 pc.
- M. Bottom 1 pc.

Hardware List

Cam Lock Screw 36 pcs. (+4 extra)	Cam Lock 36 pcs. (+4 extra)	5/16"x80 Bolt 2 pcs. (+1 extra)	Square Washer 2 pcs. (+1 extra)	Nut 2 pcs. (+1 extra)	Wrench 1 pc.	M4x32 1 1/4" Round Head Screw 4 pcs. (+1 extra)
M4x25 1" Round Head Screw 6 pcs. (+1 extra)	M3x32 1 1/4" Flat Head Screw 28 pcs. (+1 extra)	M3x19 3/4" Flat Head Screw 28 pcs. (+1 extra)	M6x40 Head Cap Bolt 6 pcs. (+1 extra)	Flat Washer 6 pcs. (+1 extra)	Spring Washer 6 pcs. (+1 extra)	Hex Wrench 1 pc.
Small Hex Wrench 1 pc.	5/32"x1" Machine Screw 4 pcs.	Handle 2 pcs.	Hook 4 pcs.	Bracket 2 pcs.	Dowel 20 pcs. (+1 extra)	

Carton 20 05506 0491 is also needed for assembly.

Tool(s) required for assembly: Phillips screwdriver, Level, Pencil, Drill (8 volts or less), 3/8" Drill Bit

Home Styles Customer Service: www.homestyles-furniture.com,
servicedesk@homestyles-furniture.com, 888-680-7460, 877-831-0319

Assembly Instructions 2/11

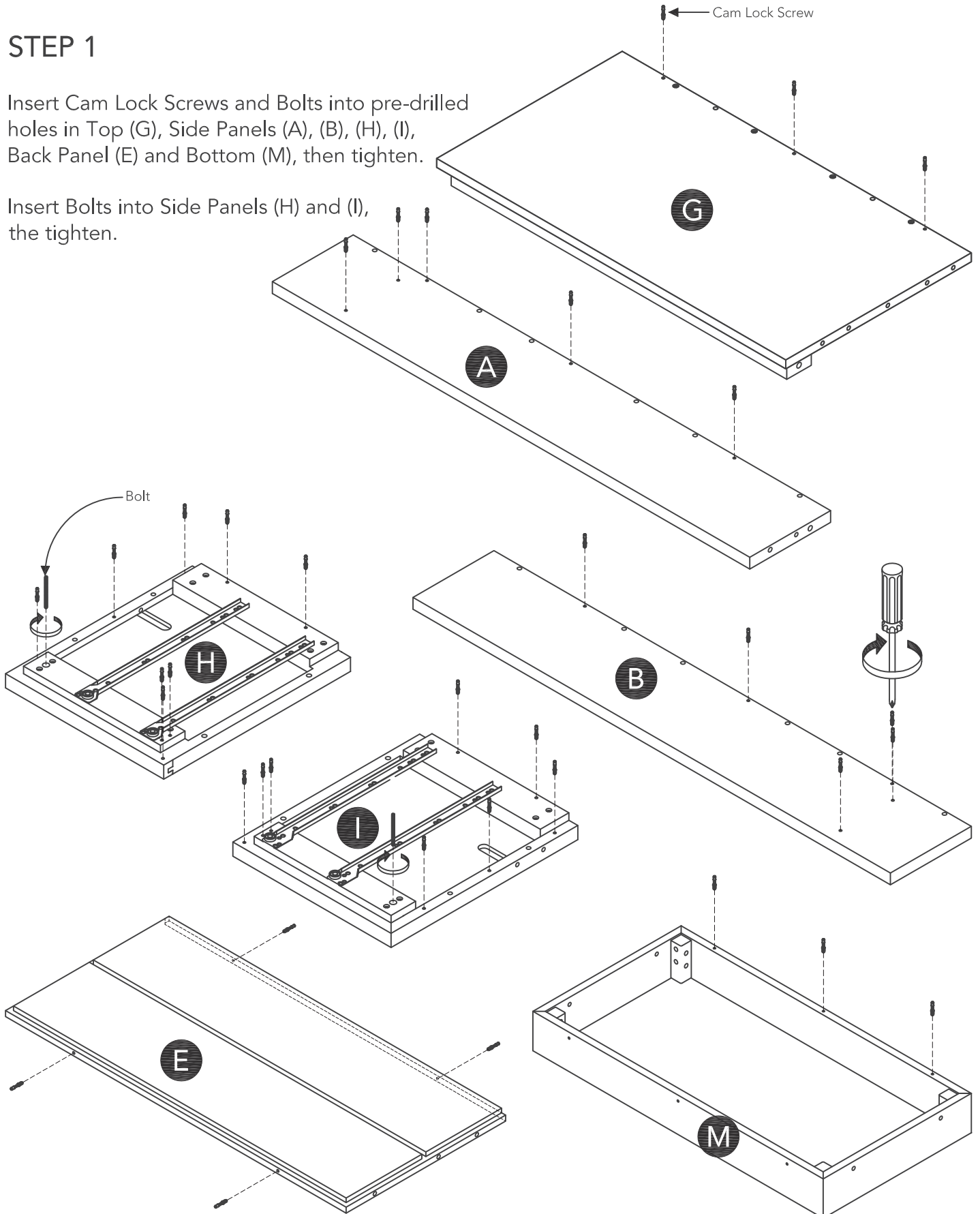
IMPORTANT

- Use a soft cloth between these parts and the floor.
- Do not use power tools above 8 volts to assemble.
- Do not tighten all the bolts until each part is properly assembled.
- The unit must be level to work properly. Use the included adjustable levelers to level.
- Keep Hex Wrench and Wrench as the Bolts and Nuts may need to be tightened in the future.

STEP 1

Insert Cam Lock Screws and Bolts into pre-drilled holes in Top (G), Side Panels (A), (B), (H), (I), Back Panel (E) and Bottom (M), then tighten.

Insert Bolts into Side Panels (H) and (I), then tighten.

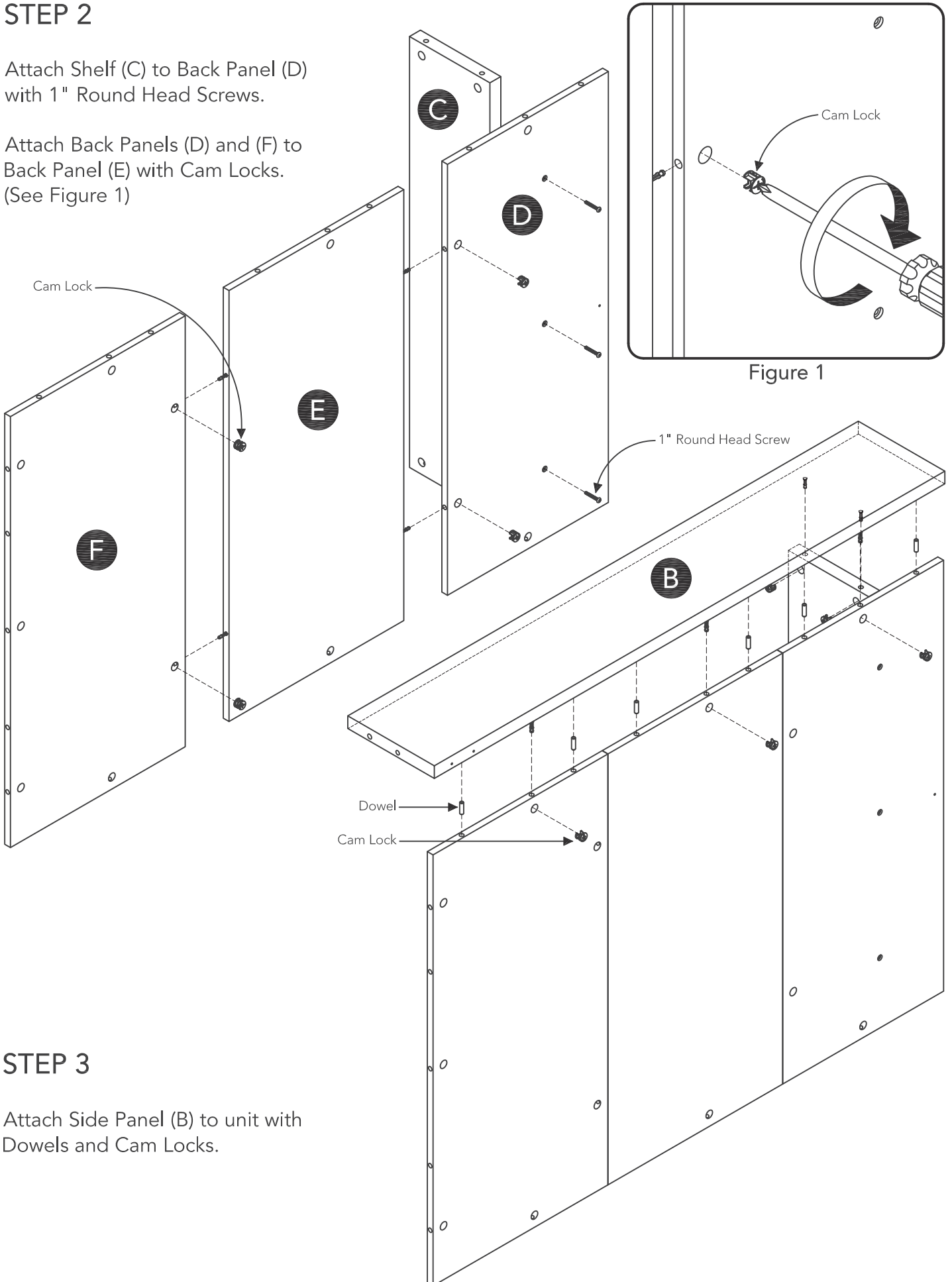


Assembly Instructions 3/11

STEP 2

Attach Shelf (C) to Back Panel (D) with 1" Round Head Screws.

Attach Back Panels (D) and (F) to Back Panel (E) with Cam Locks.
(See Figure 1)



STEP 3

Attach Side Panel (B) to unit with Dowels and Cam Locks.

Assembly Instructions 4/11

STEP 4

Attach Side Panel (A) to unit with Dowels and Cam Locks.

Attach Hooks to unit with 3/4" Flat Head Screws. (See Figure 2)

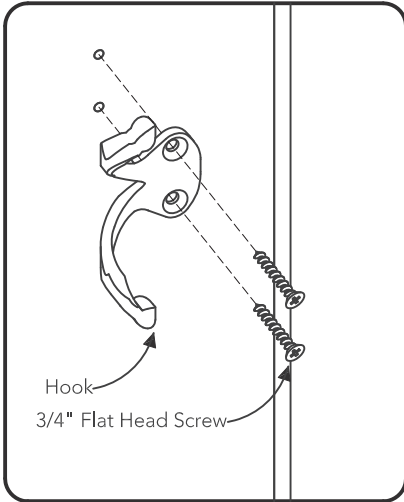
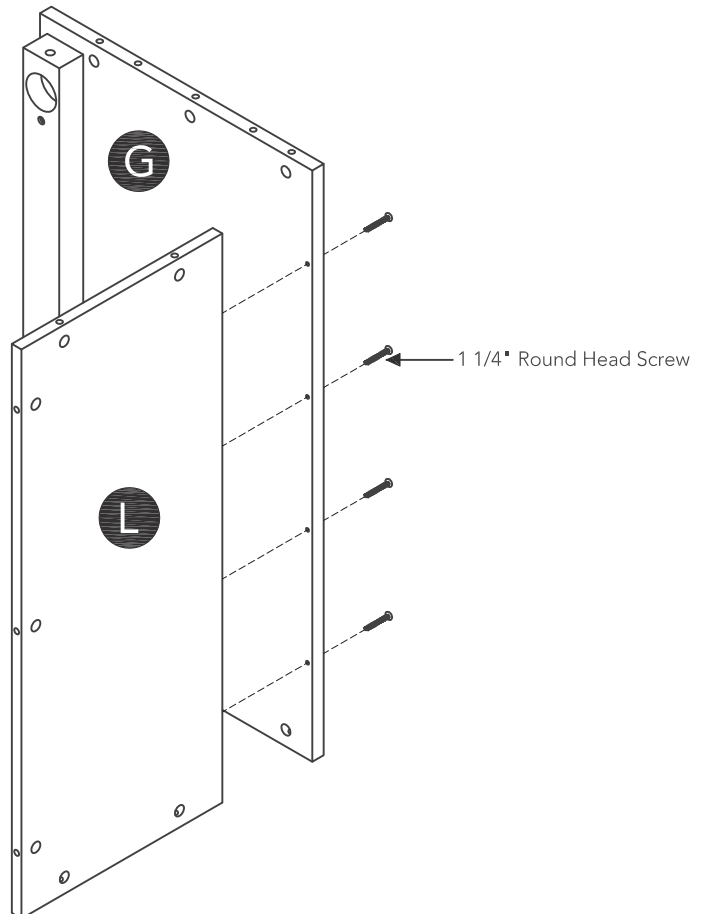
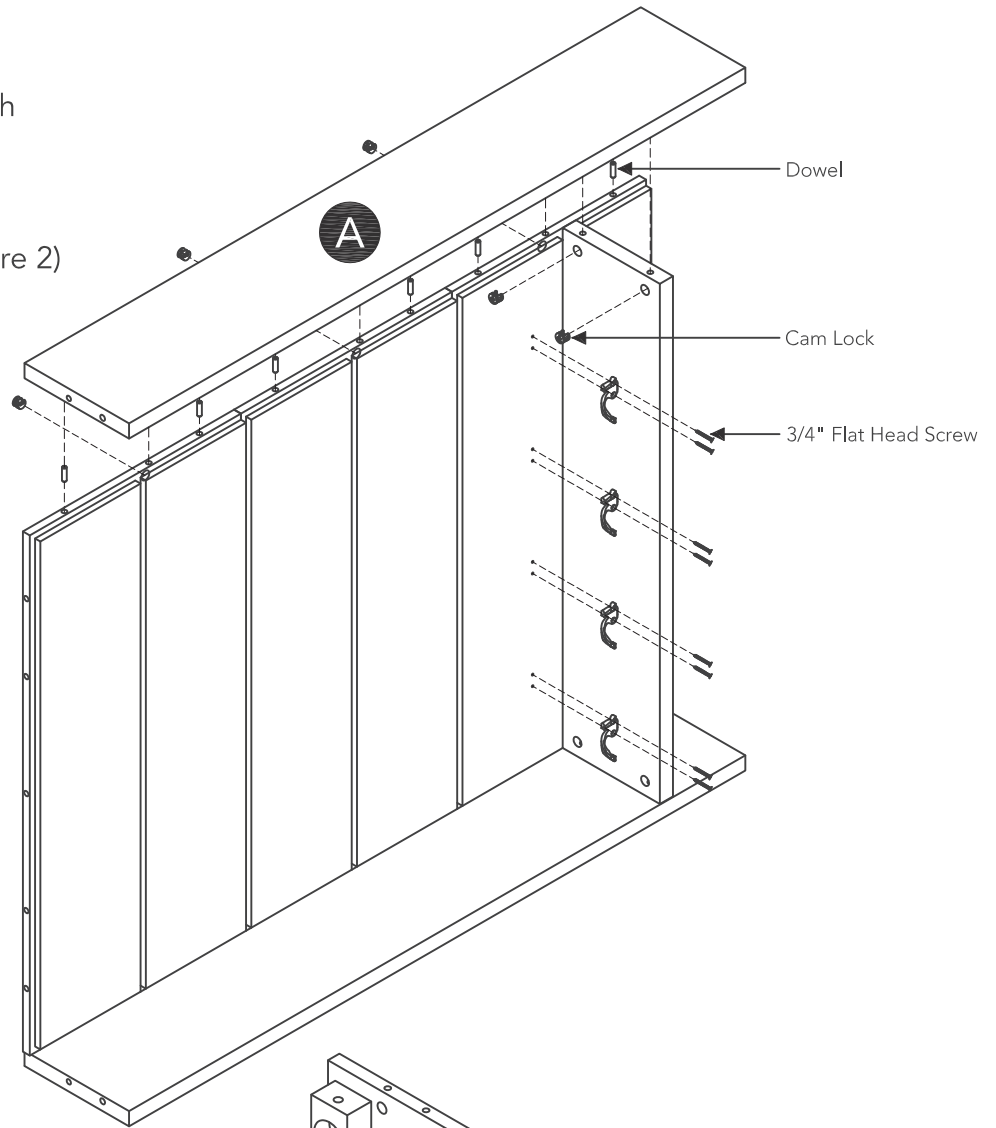


Figure 2



STEP 5

Attach Back Panel (L) to Top (G) with 1 1/4" Round Head Screws.

STEP 6

Attach unit and Front Rails (J), (K) to Side Panel (H) with Dowels, Cam Locks, Square Washer and Nut. (See Figure 3)

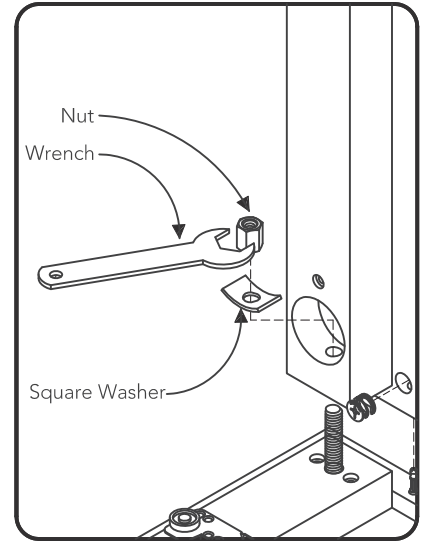
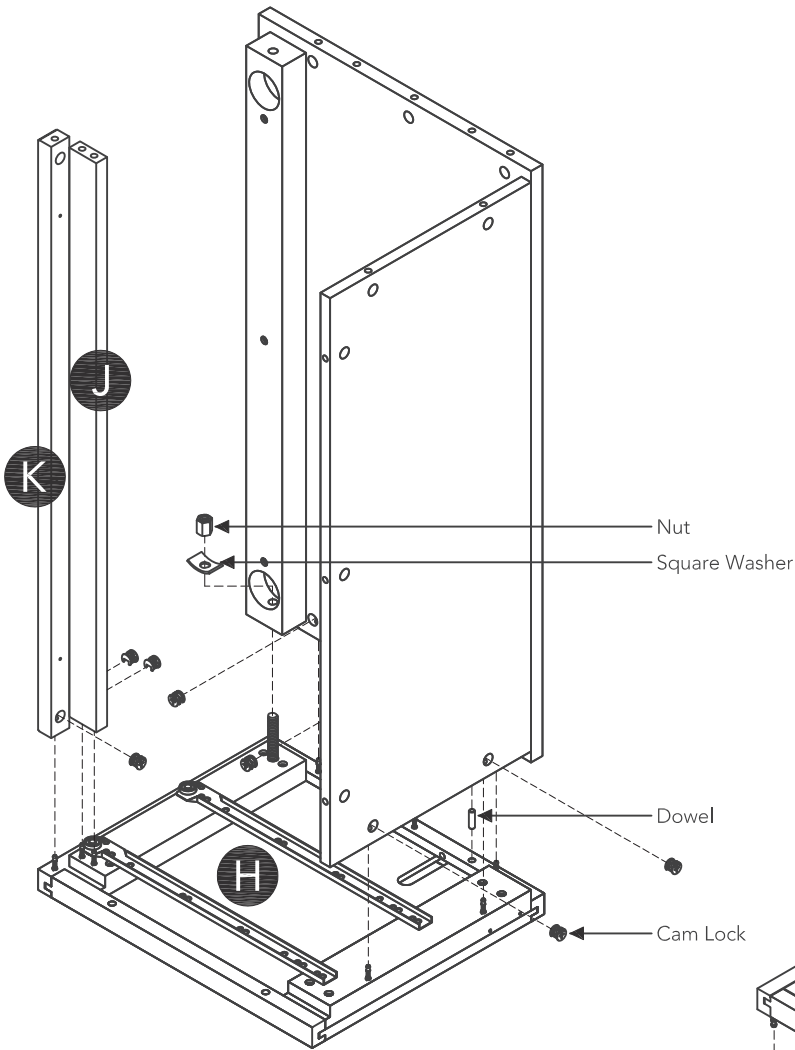
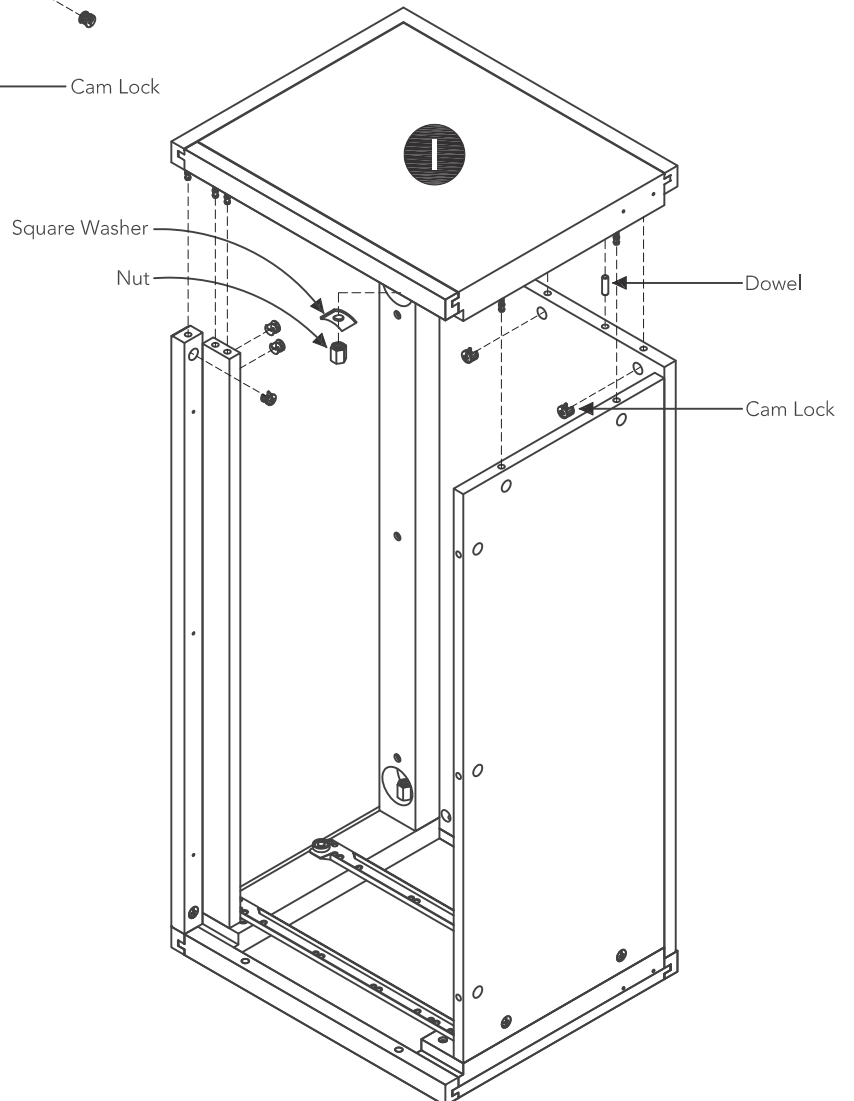


Figure 3



STEP 7

Attach Side Panel (I) to unit with Dowels, Cam Locks, Square Washer and Nut.

Assembly Instructions 6/11

STEP 8

Attach Bottom (M) to unit with Cam Locks, Flat Washers, Spring Washers, Head Cap Bolts and 1" Round Head Screws.

Tighten Head Cap Bolts with Hex Wrench. (See Figure 4)

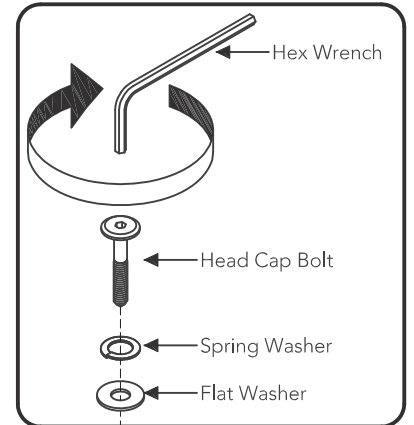
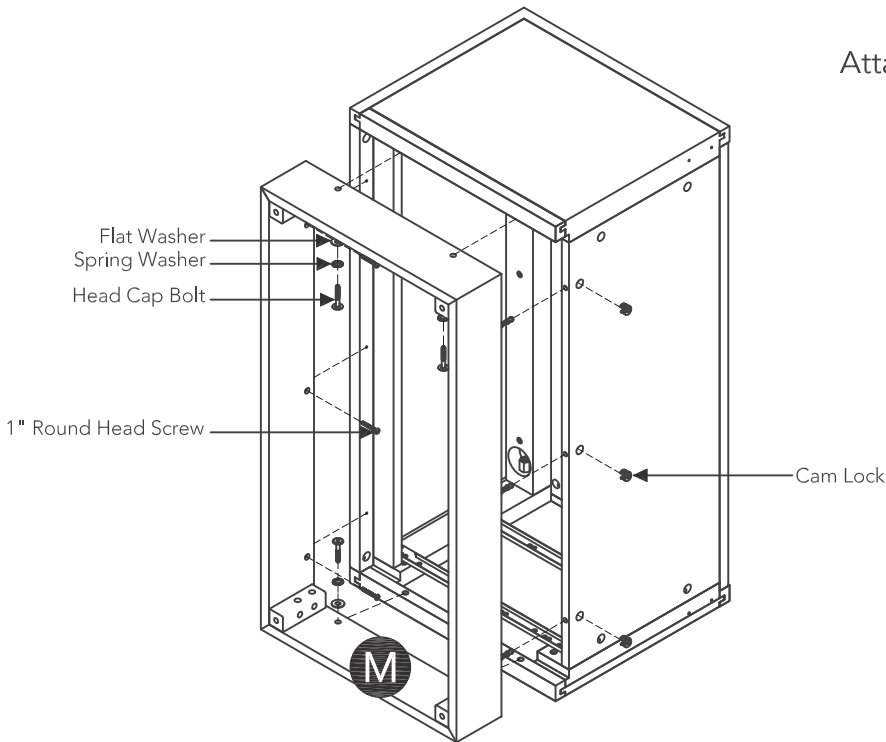
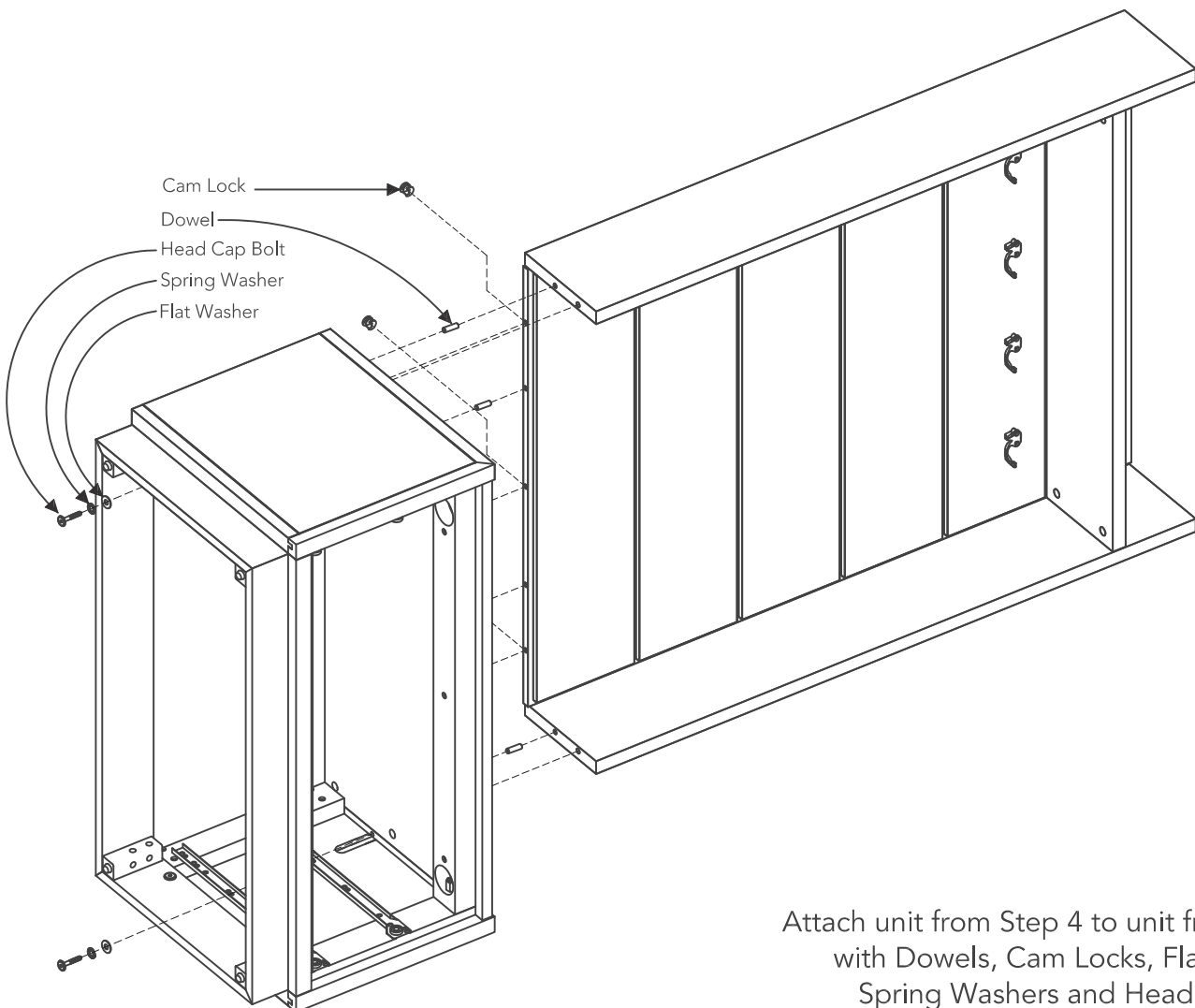


Figure 4



STEP 9

Attach unit from Step 4 to unit from Step 8 with Dowels, Cam Locks, Flat Washers, Spring Washers and Head Cap Bolts.