

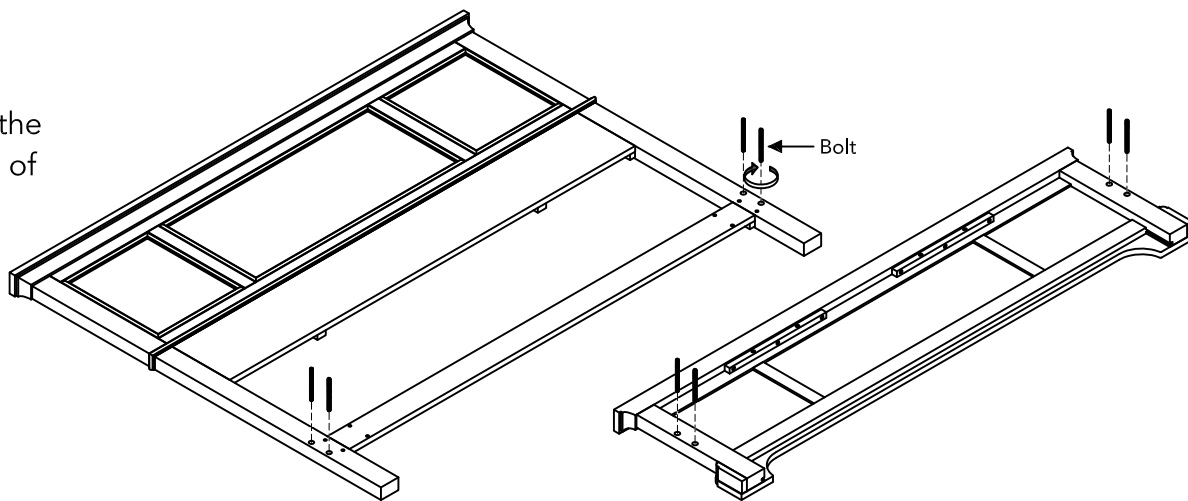
# Assembly Instructions 2/2

## IMPORTANT

- Use a soft cloth between these parts and the floor.
- Do not tighten all the screws until each part is properly assembled.
- The unit must be level to work properly. Use the included adjustable levelers to level.
- Keep Wrench in a safe place as the Nuts may need to be tightened up in the future.

## STEP 1

Insert Bolts into the pre-drilled holes of Headboard and Footboard.



## STEP 2

Assemble Side Panels (H) to Headboard and Footboard with Square Washers and Nuts. Tighten all Nuts with Wrench. (See Figure 1)

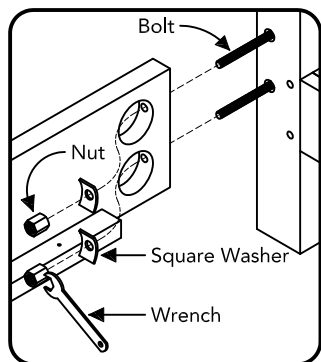
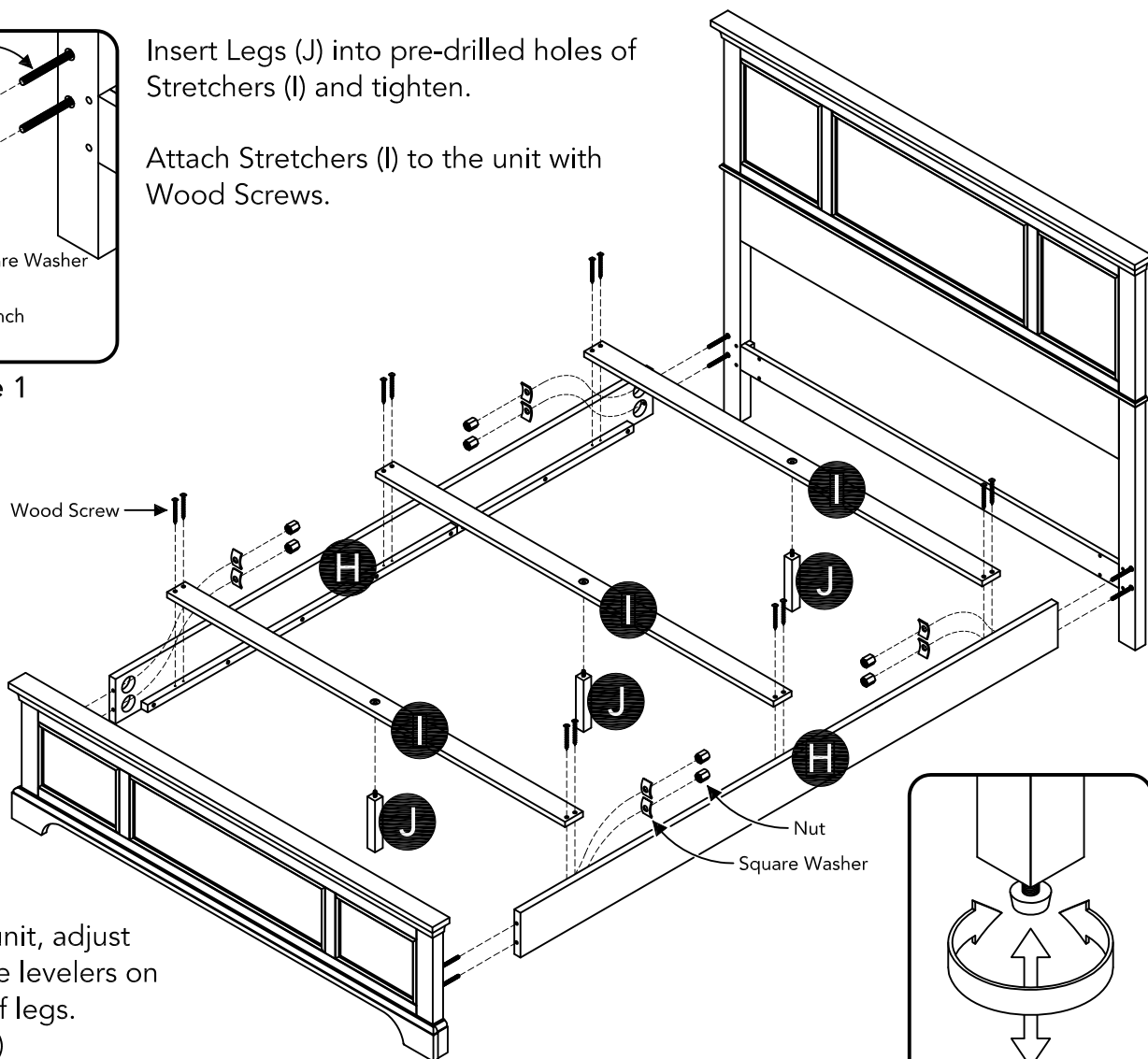


Figure 1

Insert Legs (J) into pre-drilled holes of Stretchers (I) and tighten.

Attach Stretchers (I) to the unit with Wood Screws.



## STEP 3

To level the unit, adjust the adjustable levelers on the bottom of legs. (See Figure 2)

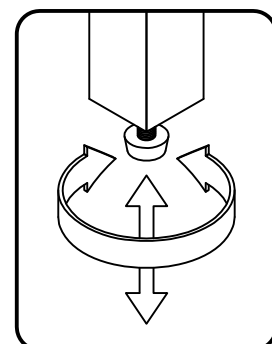


Figure 2

Note: Unit must be level to work properly.