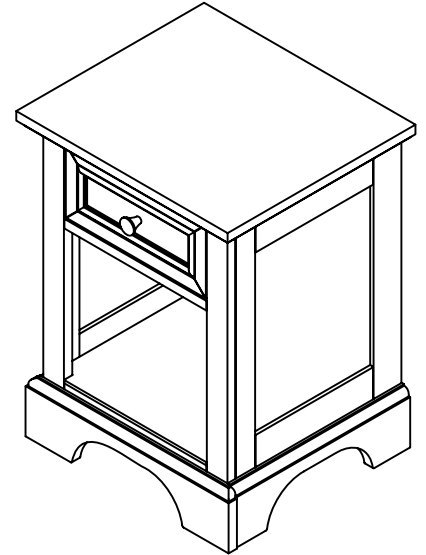


# 88 5531 42 Bedford Night Stand (Ebony Finish)



## IMPORTANT NOTE

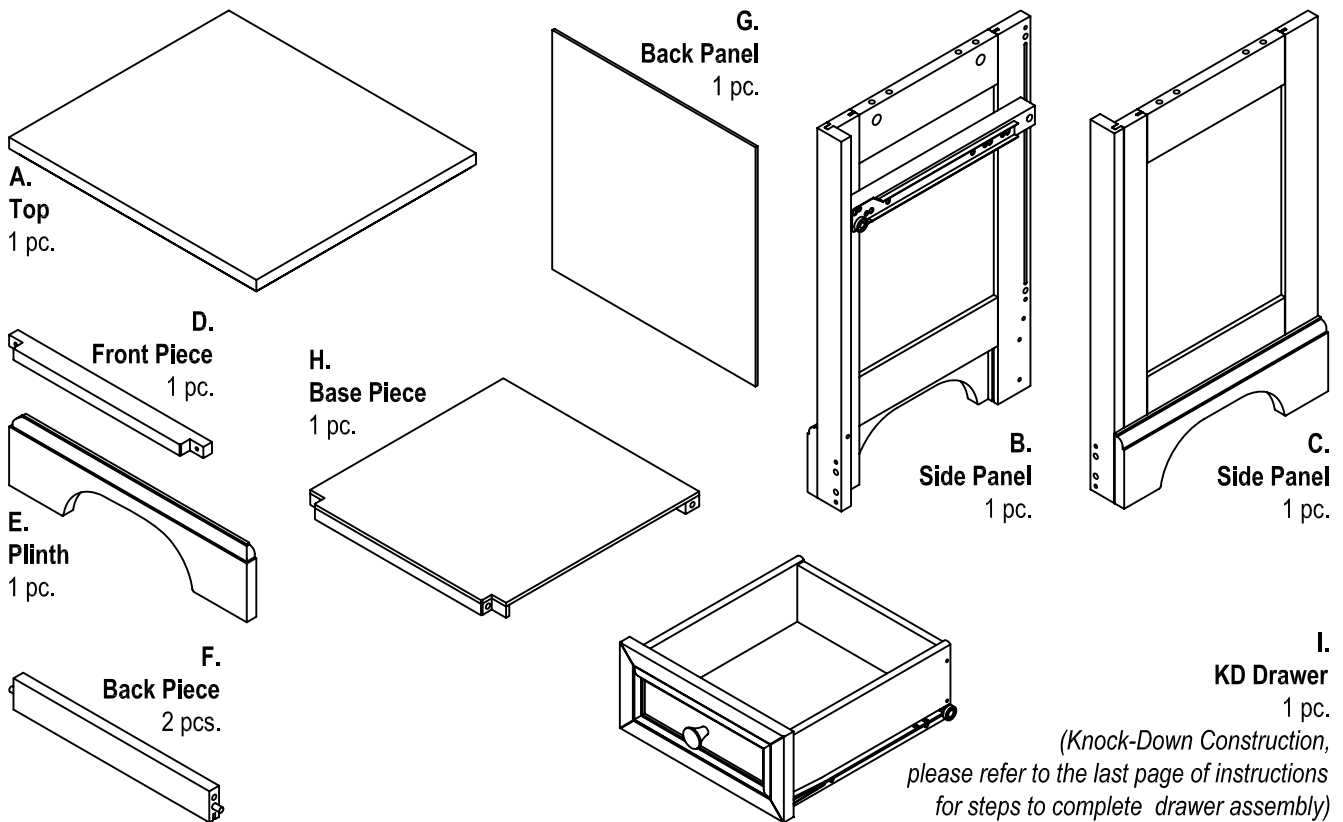
Carefully remove all the parts from the carton and put them individually on a soft cloth to prevent scratches or other damages occurring to the wood parts.

We have taken great care in the design of this product and request that you carefully and strictly follow our assembly instructions to ensure a completed product as it was designed.

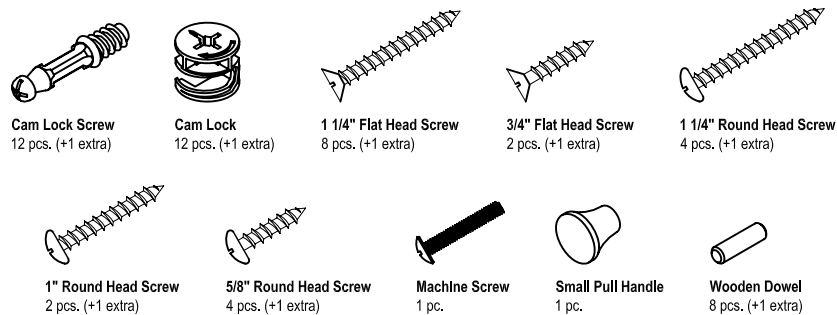


Casual Attire For Today's Home

## Part List



## Hardware List



Tools Required For Assembly : Phillips screwdriver

**Home Styles Consumer Assistance Line 888-680-7460 and 877-831-0319**  
**servicedesk@homestyles-furniture.com**

# Assembly Instructions 2/6

## IMPORTANT

Do not tighten up all the screws until each part is properly assembled.

### STEP 1

Insert Cam Lock Screws into the pre-drilled holes of Side Panel (B) and (C).

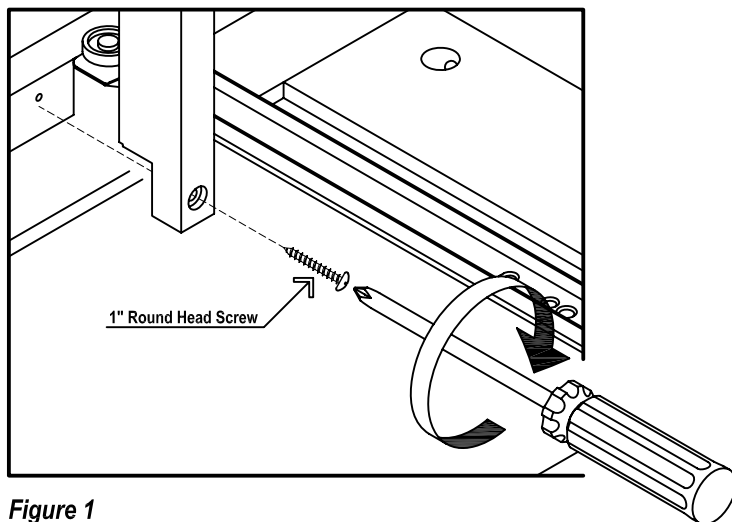
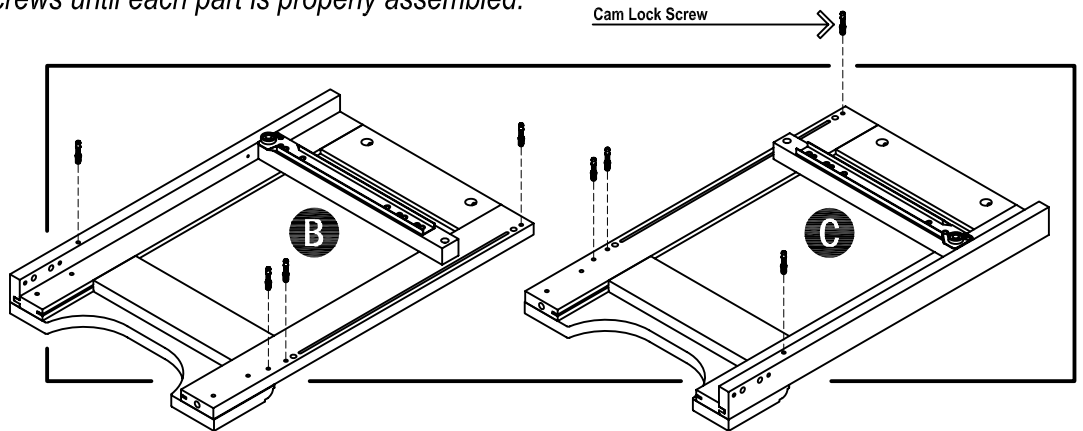
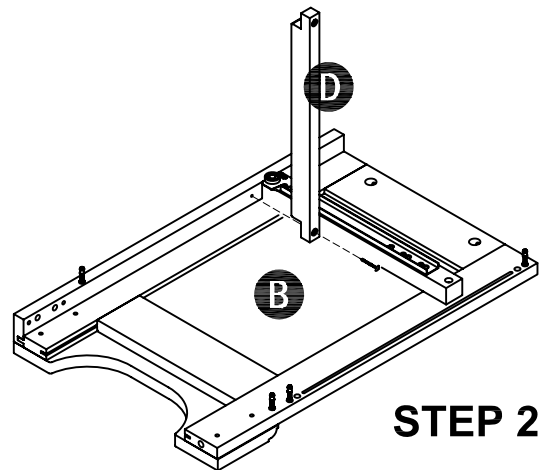
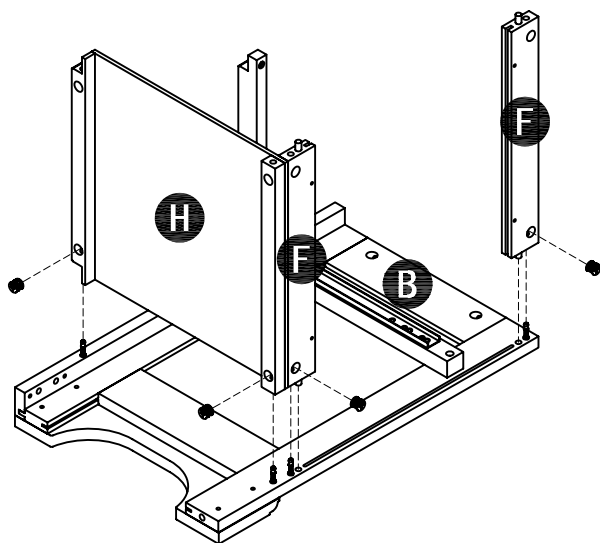


Figure 1



### STEP 2

Attach Front Piece (D) to Side Panel (B) with 1" Round Head Screws. (See figure 1)



### STEP 3

Attach Back Pieces (F) & Base Piece (H) to Side Panel (B) using Cam Locks. (See figure 2)

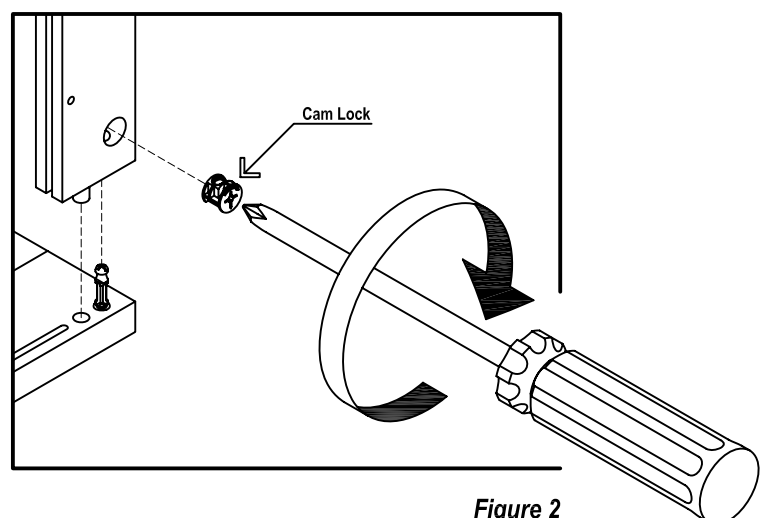


Figure 2

# Assembly Instructions 3/6

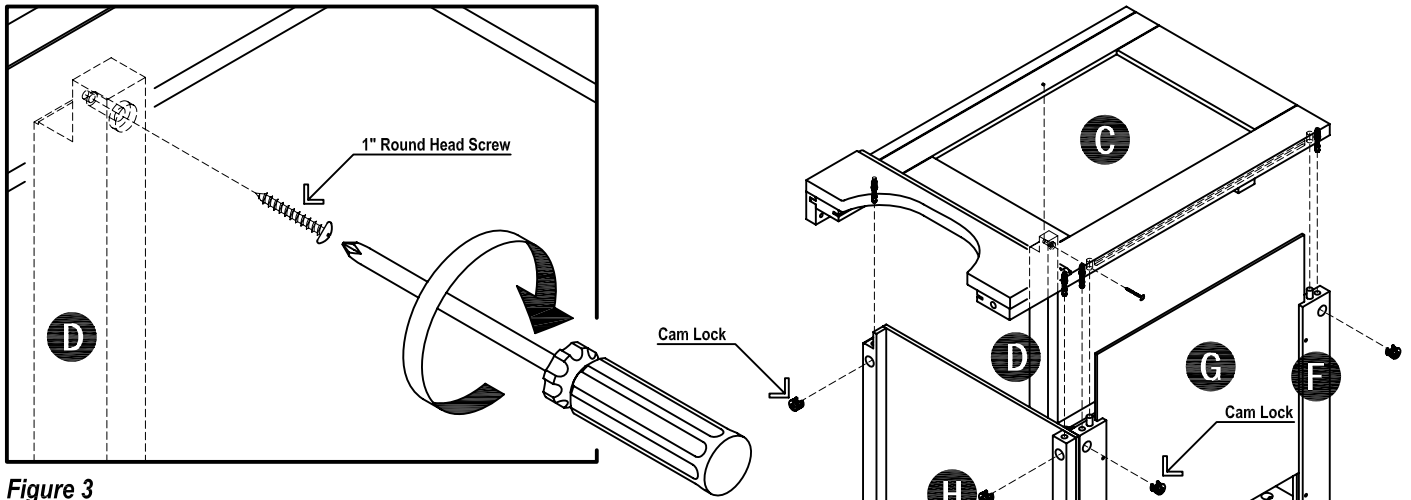


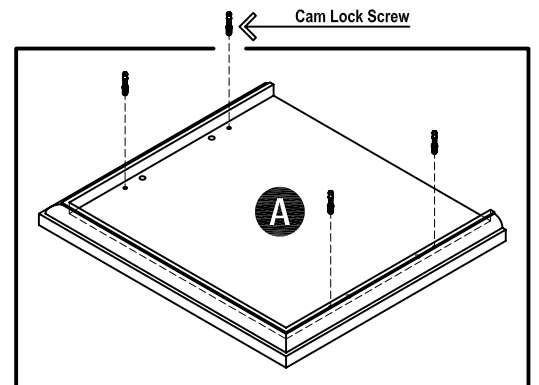
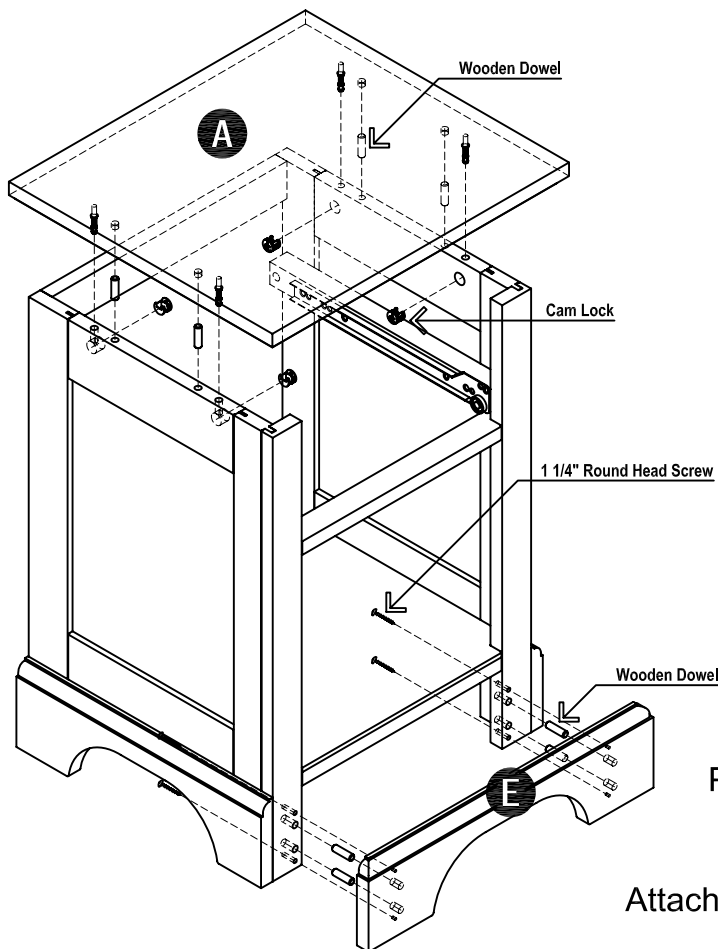
Figure 3

## STEP 4

Slide Back Panel (G) into Back Piece's (F) grooves.

Attach Back Piece (F) & Base Piece (H) to Side Panel (C) using Cam Locks.

Attach Front Piece (D) to Side Panel (C) with 1" Round Head Screws. (See figure 3)



## STEP 5

Insert Cam Lock Screws into the pre-drilled holes of Top (A).

## STEP 6

Place Top (A) onto the unit using Cam Locks & Wooden Dowels.

Attach Plinth (E) to the unit using 1 1/4" Round Head Screws & Wooden Dowels.