



RFV8-120AC-ES24V

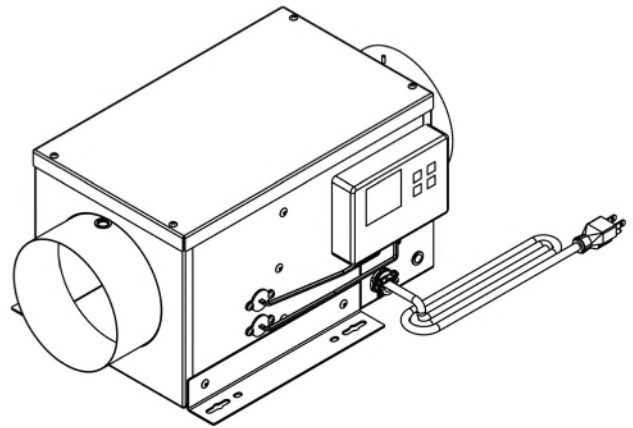


Specifications

- ES24V – Envirosense Ventilation Control mounted to outside of unit
- Low profile, galvanized, 26 ga., housing
- 6" round duct connectors
- Test port for easy air flow measurement
- Integral mounting tabs allow mounting in any orientation'
- Backward inclined wheel
- AC motor, 115/120V, 60 Hz
- 4 pole, permanently lubricated, thermally protected motor
- 6' power cord
- cULus 507 Listed
- Integral backdraft damper

Options and Accessories

- Motorized backdraft damper
- Duct heater



Dimensions

