



**Premium Fixed Position
Non-Electric Ironing Center | NE-46**
Product Specification Packet

February 2021

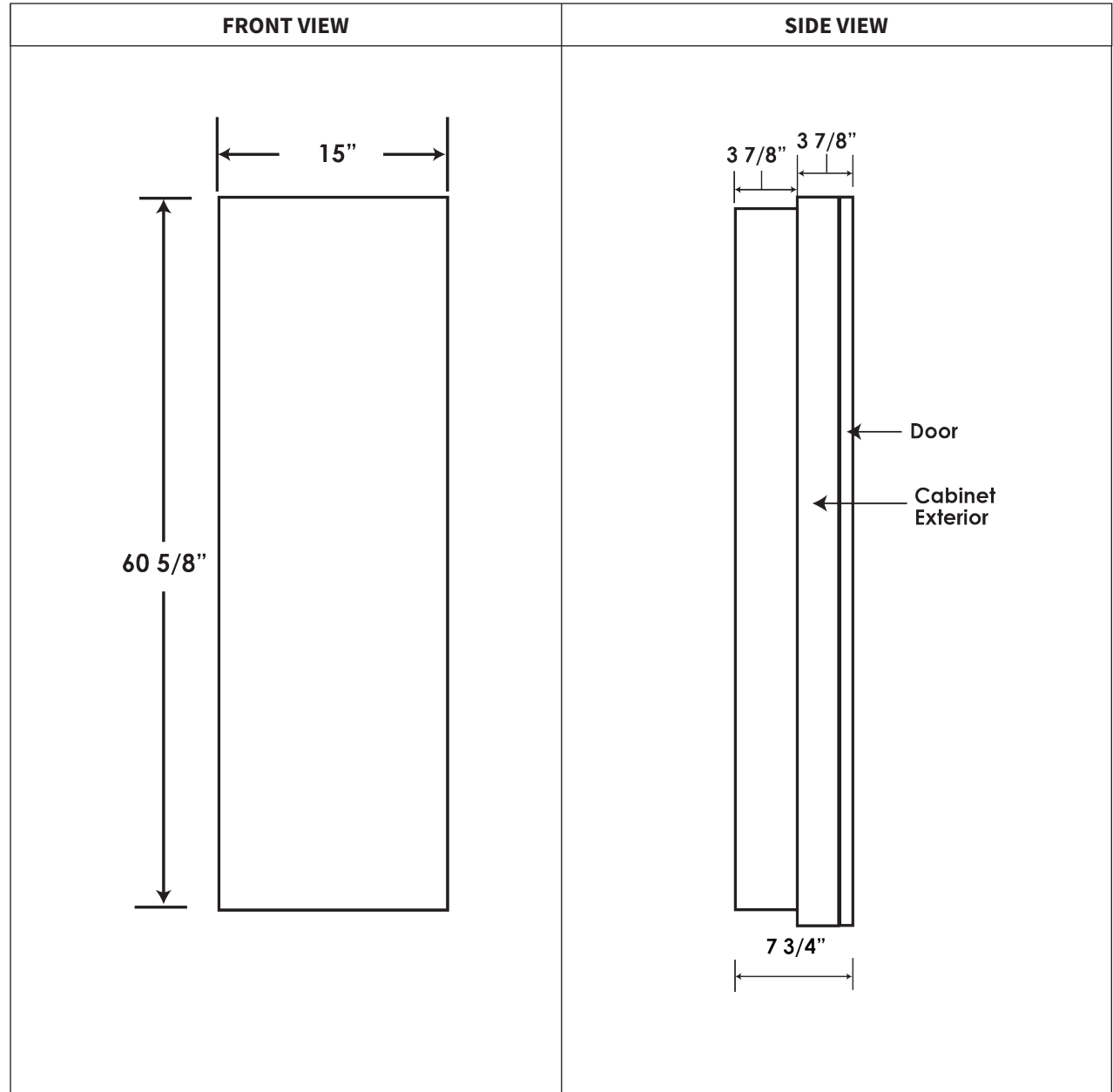
Product Dimensions

| | |
|--|-------------------------------|
| OVERALL SIZE | |
| Cabinet Height | 60 5/8" |
| Cabinet Width | 15" |
| Cabinet Depth* | 7 3/4" |
| Door Size | 15" W x 60 5/8" H x 3/4" D |
| ROUGH-IN OPENING | |
| Height | 59 7/8" |
| Width | 14 3/8" |
| Depth* | 3 7/8" |
| DEPTH INTO ROOM | |
| Recessed* | 3 7/8" |
| Surface Mount* | 7 3/4" |
| CABINET FACE FRAME OVERLAP WHEN RECESSING | |
| Overlap | 3/8" |

**Depth includes door*

Installation Heights

| MOUNTING HEIGHT ABOVE FLOOR | DESIRED IRONING HEIGHT |
|--------------------------------|---------------------------|
| 25" | 36" |
| 24" | 35" |
| 23" | 34" |
| 22" | 33" |
| 21" | 32" |



Board Clearance Requirements

Minimum required space for the ironing board to lower completely.

| | RECESSED MOUNT | SURFACE MOUNT |
|---|----------------|---------------|
| 1. Clearance from Wall to Tip of Board | 46 1/4" | 50 1/4" |
| 2. Hinge Side Clearance for 180° Degree Door Swing | 16" | 16" |

For Further Review

1. Space required for board to come down flat

To ensure a flat and level ironing surface, be sure to that you have a full 46 1/4" in front of the desired installation location when recessing. When surface mounting, ensure there is 50 1/4" clearance.

2. Recommended 16" on hinge side for full 180° door swing

While not required, we recommend 16" on hinge side to allow the door to open fully against the wall, ensuring optimal standing area when ironing.

Items to Note:

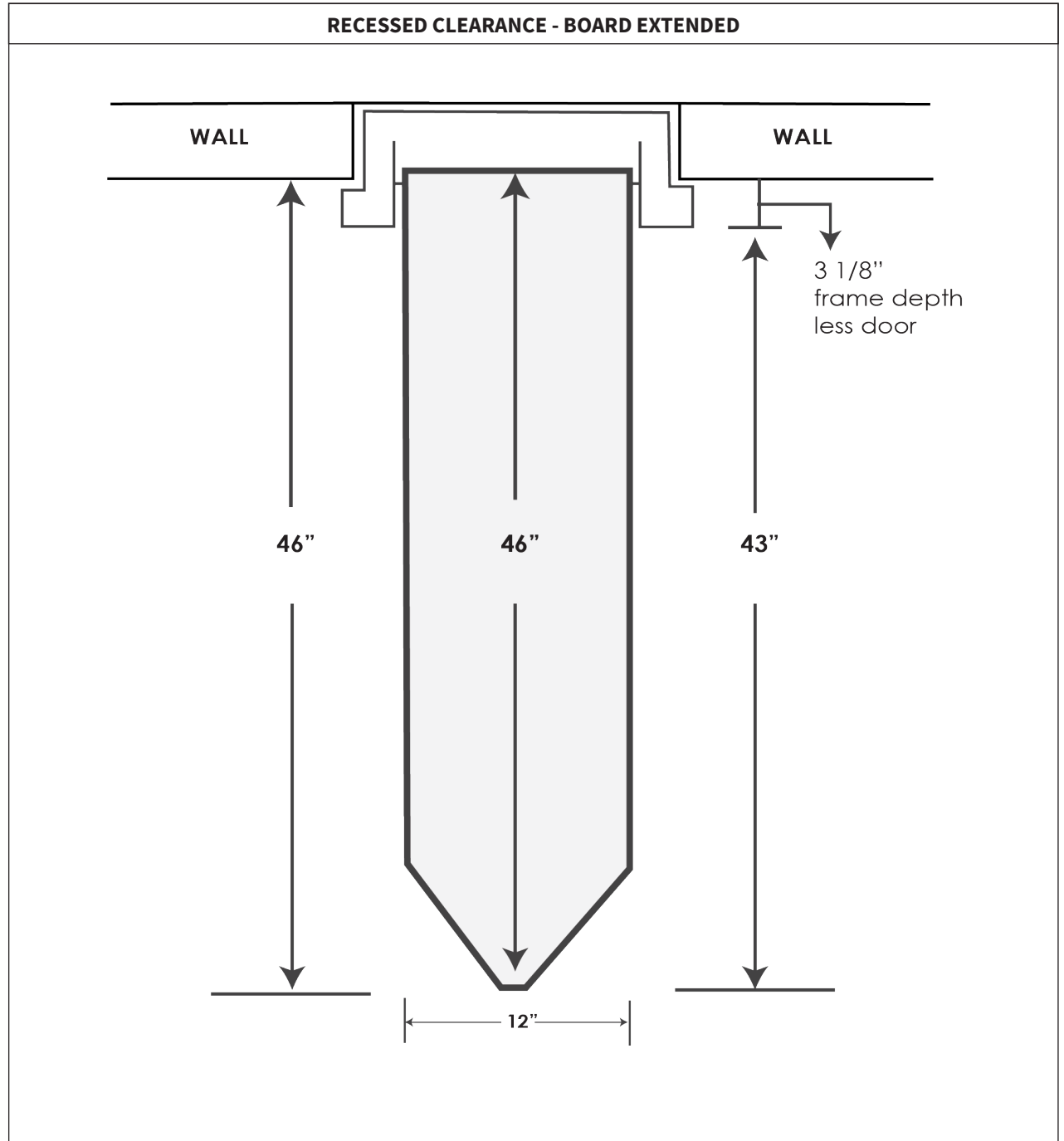
Installation Types

Recessed

Placed into the wall, between 16" on center studs, protruding 3 7/8" into the room. It is recommended to attach a 2" x 4" cleat to studs, level with bottom of the opening to support cabinet when installing.

Surface Mount

Installed directly onto the wall, with no cutout, centered and anchored on secure stud. Will protrude 7 3/4" into room. Optional surface mount kit is available to finish sides of unit and recommended for complete installation.



Items to Note - Continued:

Recommended Standing Room Clearance

Be sure to check that you have adequate standing space (at least 24") to stand beside the ironing board to iron.

Installation Heights

Use the provided Installation Height chart on page 1 to determine your desired ironing board height./

Door

Ironing center comes standard with a flat maple veneer door and a variety of additional door options. Door opens approximately 180°, flush against the wall. Please be sure to allow 16" to the side of unit for the door to open fully open.

Hinge Side

Unit comes standard with the hinge on the right. A left side hinge can be requested when placing order.

Unfinished Cabinet

The exterior of the cabinet is unfinished and ready to be painted or stained to match existing decor.