

INSTALLATION INSTRUCTIONS

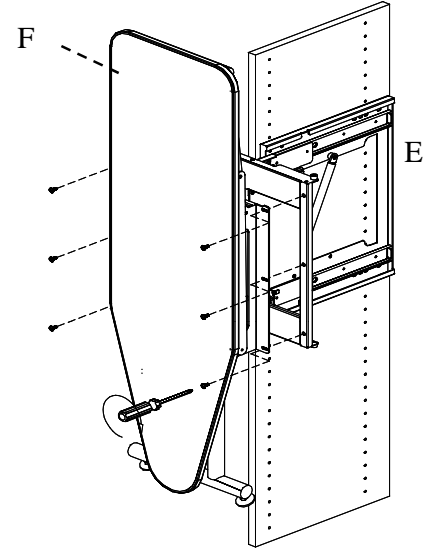
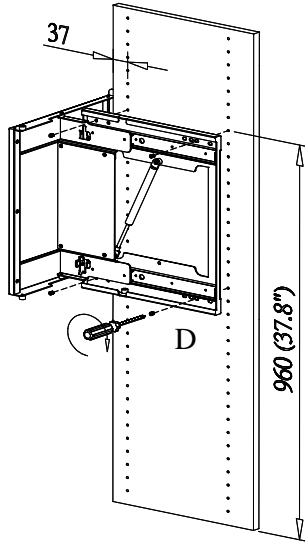
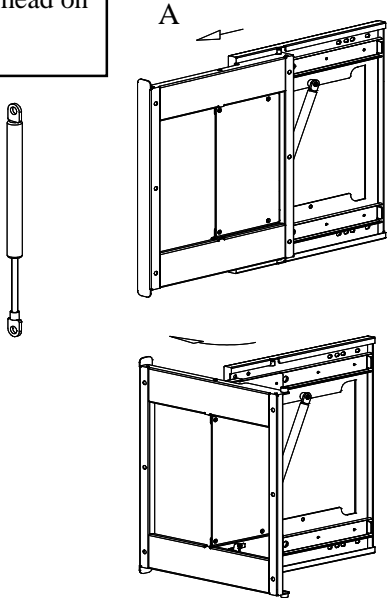
FOR POP OUT IRONING BOARD-Left

Step 1: Pull-out the mechanism and swivel.

Step 2: Attach to partition using 4 euro screws(D), Top screw must be between 37.8" from the floor.

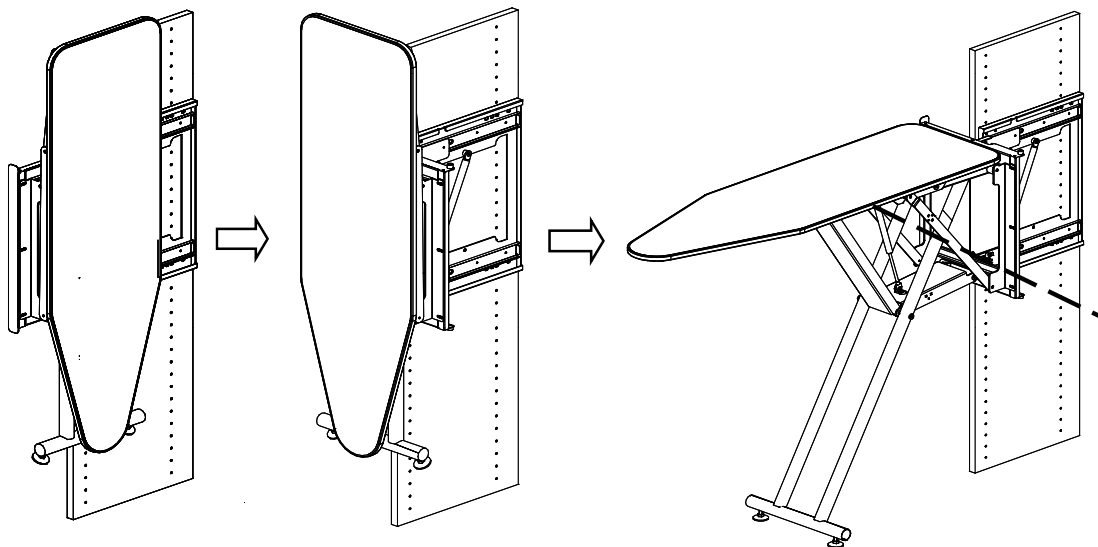
Step 3: Screw Ironing Board(F) to mechanism(A) using 6 machine screws(E).

Keep piston big head on top.



Step 4: Finished

* Pull stoper to release
* Push board down to close



	Type	Q'ty	Type	Q'ty	Type	Q'ty	Type	Q'ty			
A		1pc	D		4pcs	E		6pcs	F		1pc

