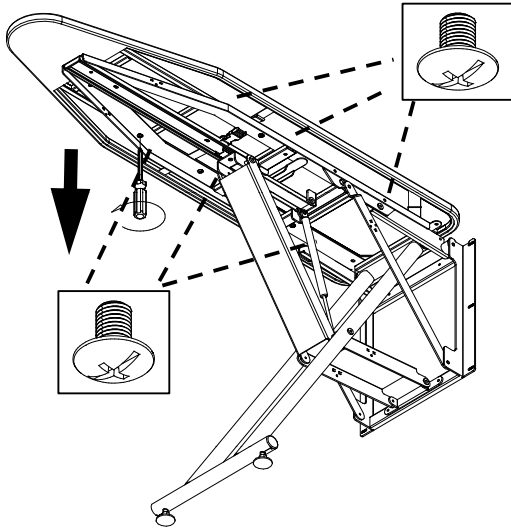


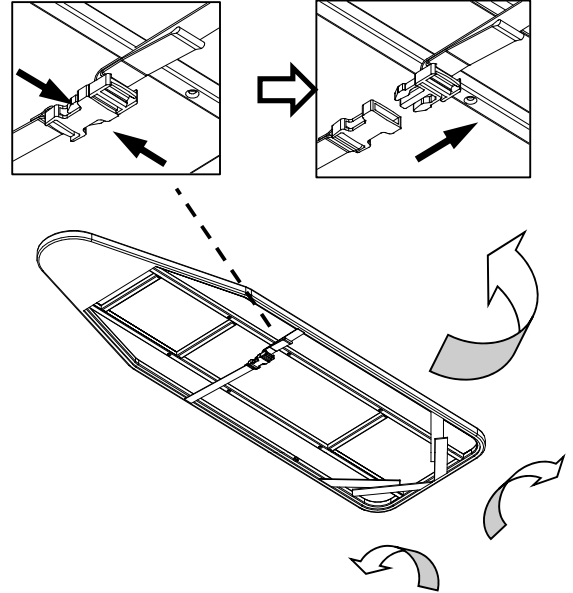
INSTALLATION INSTRUCTIONS

COVER(S07860-3) for POP OUT IRONING BOARD

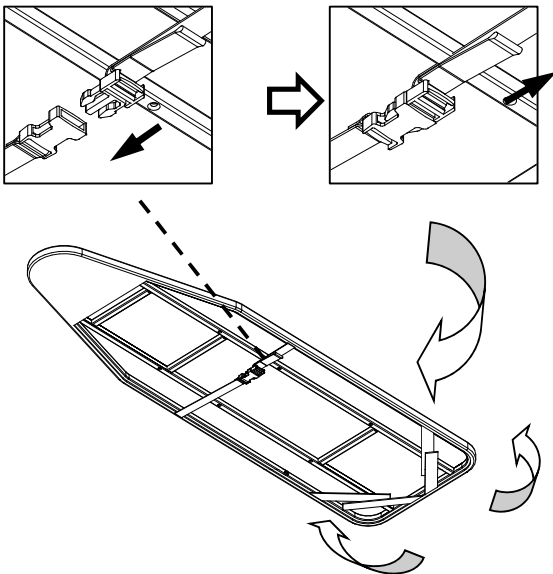
Step 1: Loose 6 screws to separate Ironing Board and mechanism.



Step 2: Untie and take off the Cover from Ironing Board



Step 3: Put on the Cover and fasten on Ironing Board.



Step 4: Screw the Ironing Board on mechanism.

