



## Installation Instruction

### **ABKF3262 Single Lever Pull Down Sensor Kitchen Faucet**

#### **Functions and Characteristics**

The control box is designed and manufactured based on infrared technology and its characteristic are as follows:

- Power supply by DC 6V (4Pcs AA 1.5V alkaline batteries)
- Two different sensor ways: 1) By waving hands, 2) By pulling down or returning the spray head.
- Two different patterns: 1) Sensor, 2) Normal operation.
- When the power is exhausted, the light twinkles when hands on sensor window, and you are going to replace battery.
- If left on the water turns off automatically after 180 seconds.

#### **Product Specifications**

Model #	ABKF3262
Power Supply	DC 6V (4 Pcs AA1.5V alkaline batteries)
Power consumption	DC: $\leq 0.2\text{mW}$
Induction range	Preset (15 $\pm$ 1.5)cm
Working pressure	0.05MPa-0.6MPa
Working temperature	4°C-60°C = 39F - 140F
Default flow limit	(180 $\pm$ 10)S

## Installation Procedures

1. Make a hole of  $\varnothing 34$ - $\varnothing 38$  on the board before installation. Remove off the bolts (8), edged nut (5), metal gasket and washer B(3) from the main body(1)
2. After connecting inlet hoses(9) to the main body(1), put the main body into the hole with the washer A(2), then refix the washer 8(3), metal gasket(4),edged nut(5) and bolts(6) from the bottom.
3. After adjusting the direction of the main body, tighten the edged nut (5) with hands and tighten the bolts (6) with a Phillips screwdriver.
4. As above picture, connect the connecting hose and water inlet of the DC control box, the spray hose and water outlet of the DC control box, and fix the weight bob(7) on a suitable location of the spray hose as requirement.

5. As above picture connect the power line of DC control box and sensor line of the main body, and tighten the nut with hands.
6. Connect the connectors(10) to the angle valves, and connect the 2 pcs inlet hoses to the connectors. Finally turn on the faucet to the tightness of all joints to finish the installation.

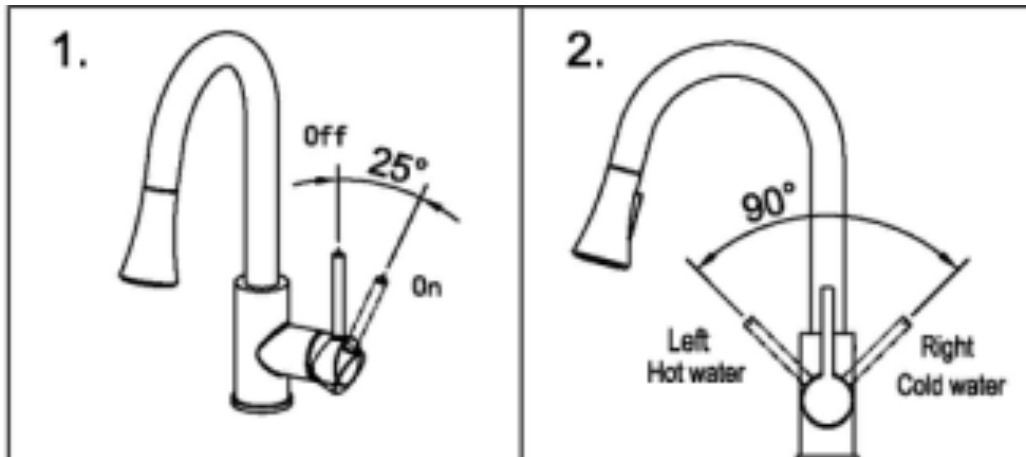
### **Replacement of battery**

1. 4 PCS AA 1.5V alkaline batteries
2. Remove the battery box from DC control box.
3. Put in the batteries properly.
4. Put the battery box back to DC control box

## Usage

✧ Handle usage:

- 1) Pull the handle away from the faucet to turn on; operate reversely to turn off.
- 2) Push backward for cold water, pull forward for hot water.



✧ Usage of sensor window:

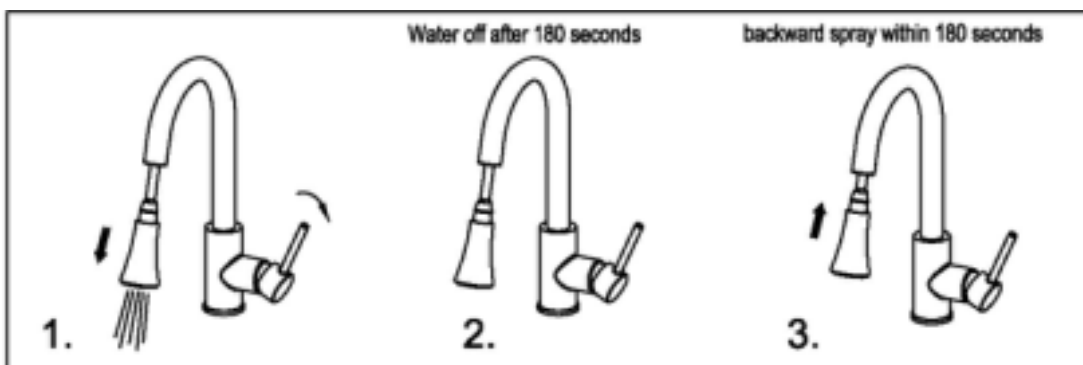
Pull open the handle from faucet to turn on

- 1) Hands before sensor window, water flows automatically.
- 2) Water off after 180 seconds automatically.
- 3) Or hands before sensor window again within 180 seconds to turn off water

✧ Turn on and off water by pull down and return spray.

Pull open the handle from faucet to turn on

- 1) Pull down spray, water flow automatically.
- 2) Water off after 180 seconds automatically
- 3) Or backward spray within 180 seconds, to turn off water.



## **Transferring between sensor (automatic) to normal operation patterns.**

- 1) Factory default setting is sensor pattern. You can find the switch on Auto.
- 2) Please switch to Hand to open normal operation pattern when batteries power off or malfunction but user can't replace batteries in time or repair faucet immediately.

## **Cleaning of filter in DC control box**

Please clean filter when water flow is reduced. Normally suggestion of cleaning required ever half a year.

## Trouble Shooting Common Issues

Issue	Reasons	Solution
1. No water flowing	Power exhausted	Replace battery
	Water supply cut off	Wait for water supply recovers
	Filter blocked	Clean filter of the control box
	Filter blocked	Clean filter of the connector
	Dirty sensor window	Clean with a wet cloth
2. Non-stop flowing	Power exhausted	Replace battery
	Water pressure out of range	Refer to product performance and index
2. Leaking	Low water pressure	Refer to product performance and index
	Filter blocking	Clean filter from water outlet
3. Less water flowing	Low water pressure	Refer to product performance and index
	Filter blocked	Clean filter of the control box
	Filter blocked	Clean filter of the control box
4. Short battery life	Poor battery	Replace with qualified battery

### Attention

- Do not dismantle, repair or remake the faucet to avoid faults or damage.
- Do not install the faucet under direct sunlight or strong light.
- Do not scratch the sensor window.
- Do not use any corrosive detergent to clean the faucet.
- Keep the sensor window clean.

We are here to support you if you need any assistance feel free to reach out to us.