

# Kröus<sup>®</sup>

INSTALLATION MANUAL

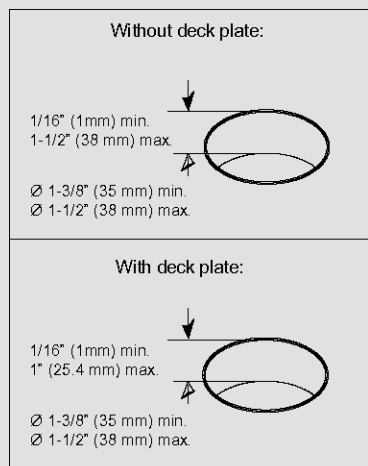
 **kitchensource.com**

## Oletto™ Single Lever Pull Down Kitchen Faucet

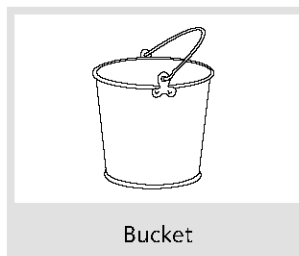
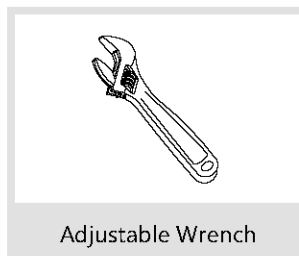
KPF-2620

## Prior to Installation:

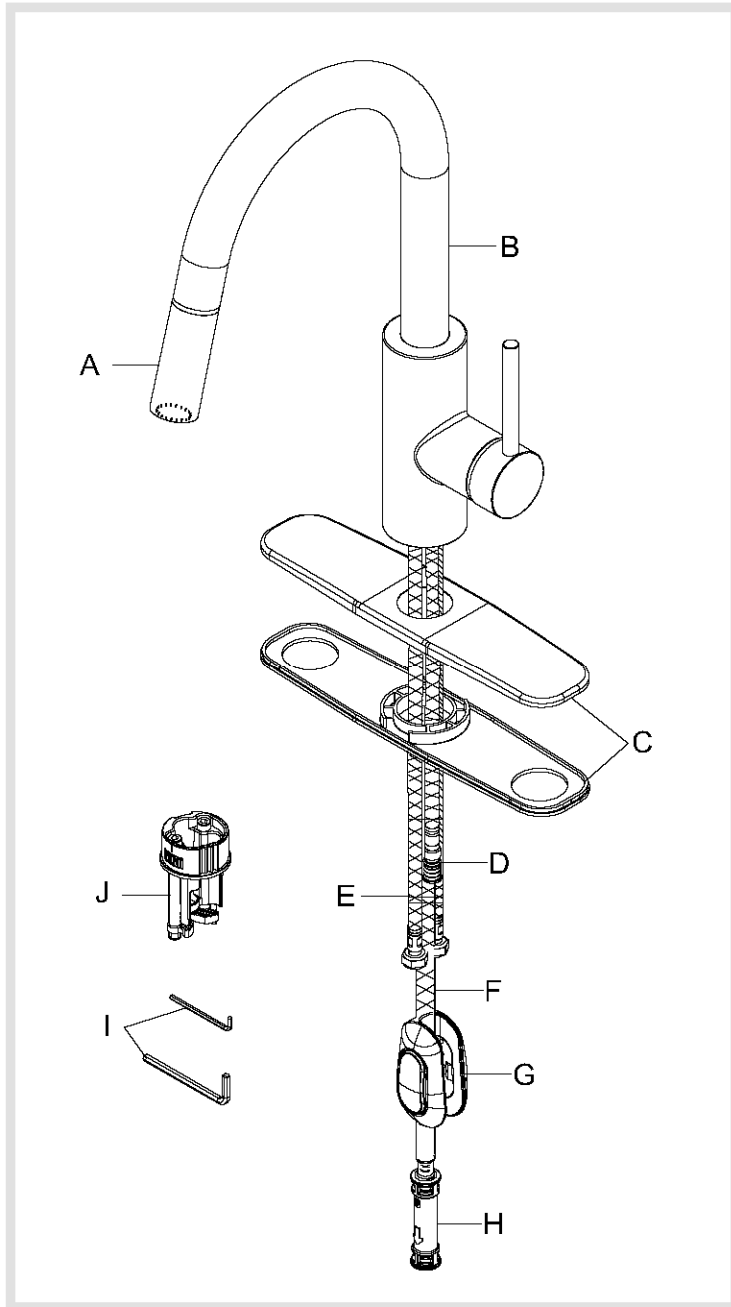
- Make sure you have all necessary parts by checking the diagram and parts list. If any part is missing or damaged, please contact Kraus Customer Service at 800-775-0703 for a replacement.
- Turn off the hot and cold water supply at the angle stops and turn on the old faucet to release any built up pressure. Remove existing faucet. Clean sink or countertop to remove any debris, plumber's putty, or silicone.
- Place bucket under angle stops. Turn on to flush any debris prior to installing new plumbing. Shut off angle stops.
- Pre-drilled hole size requirement: 1 3/8" (min) - 1 1/2" (max)
- Max countertop thickness without deck plate: 1 1/2"
- Max countertop thickness with deck plate: 1"
- 1, 2 or 3 hole installation



## Tools Required

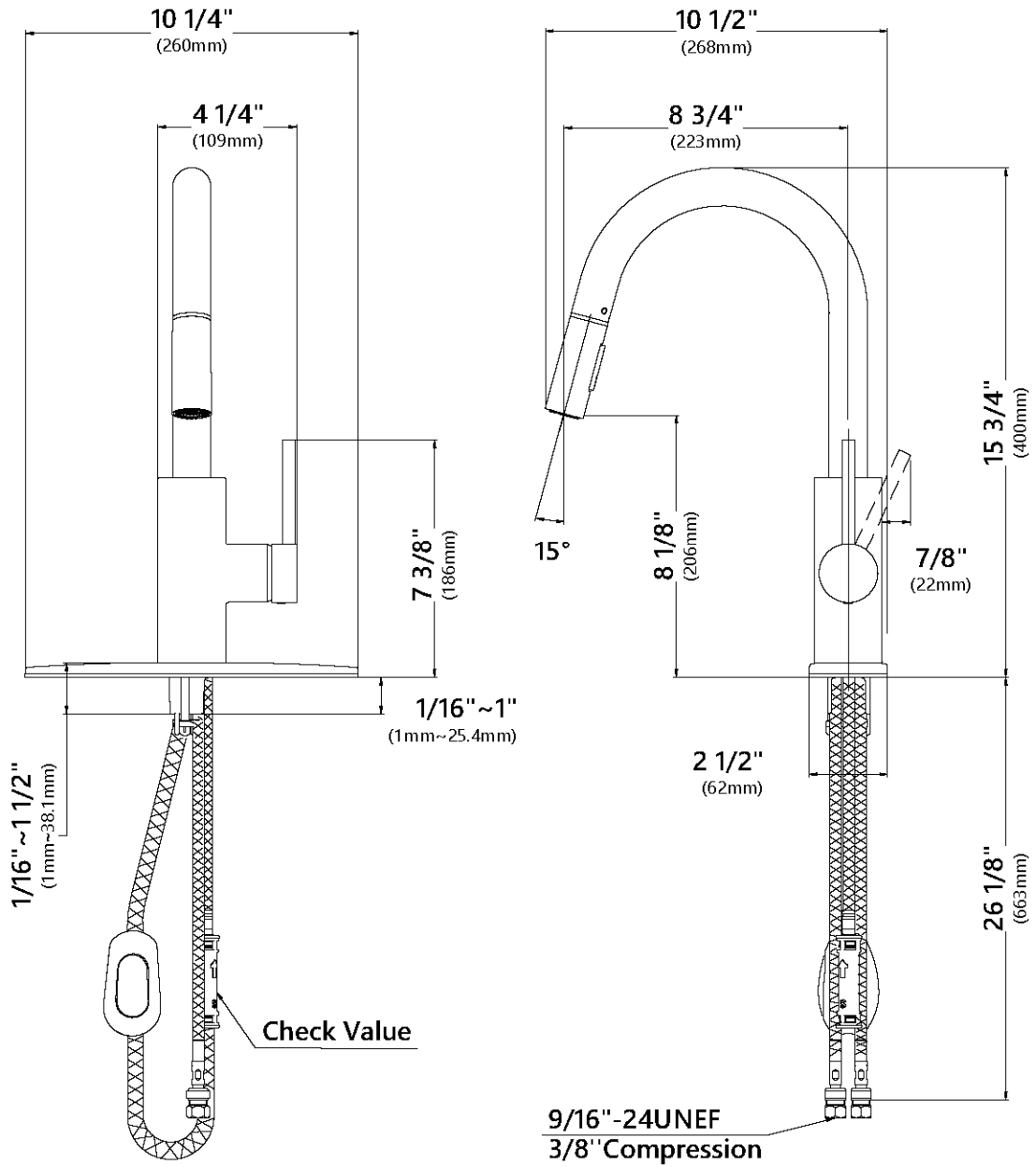


## Diagram and Parts List



- A. Spray Head
- B. Faucet Body
- C. Deck & Putty Plate
- D. Supply Hose
- E. Hot & Cold Waterlines
- F. Spray Hose
- G. Weight
- H. Quick Connect
- I. Hex Wrench
  - i1. 2.5mm
  - i2. 4mm
- J. Base

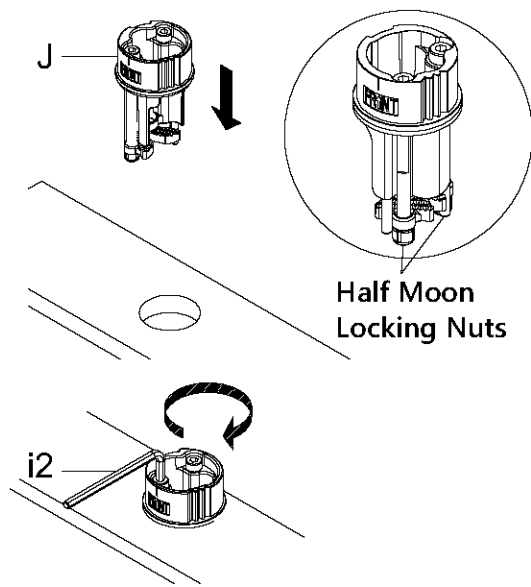
# Faucet Dimensions



## Installer Tip:

Shut off main water supply before installing new faucet.

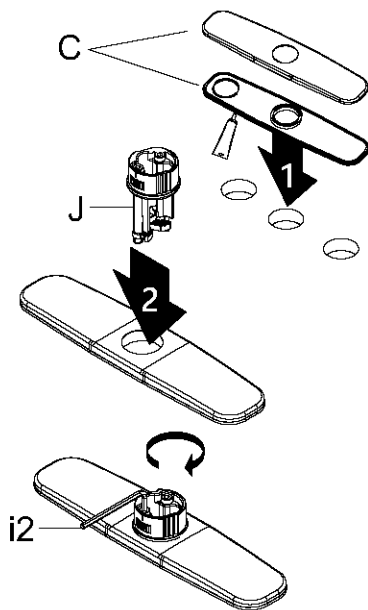
## Step 1A: Install base without deck & putty plate



Insert base (J) into sink or countertop with "FRONT" facing forward. Tighten screws on base (J) with 4mm hex wrench (i2) until base is secure on sink or countertop.

**Installer Tip:** Rotate the two half-moon shaped locking nuts inward before inserting base (J) into sink or countertop.

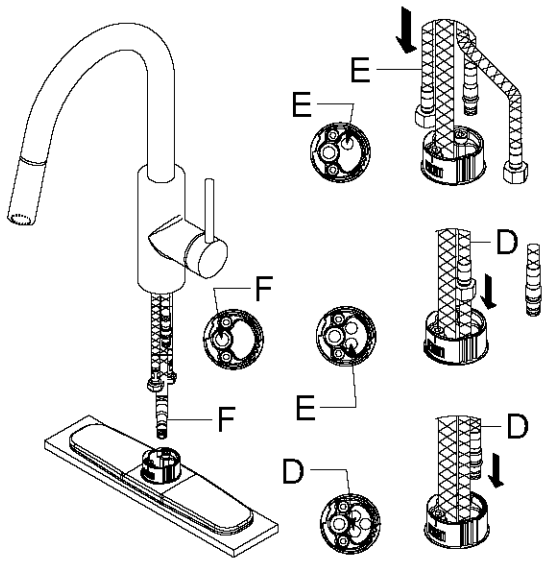
## Step 1B. Install base with deck & putty plate



Place a bead of clear silicone sealant (not included) around the edge of the putty plate (C). Secure deck & putty plate (C) on sink or countertop. Insert base (J) into hole of deck & putty plate (C) with "FRONT" facing forward. Tighten screws on base (J) with 4mm hex wrench (i2) until base is secure on deck & putty plate (C).

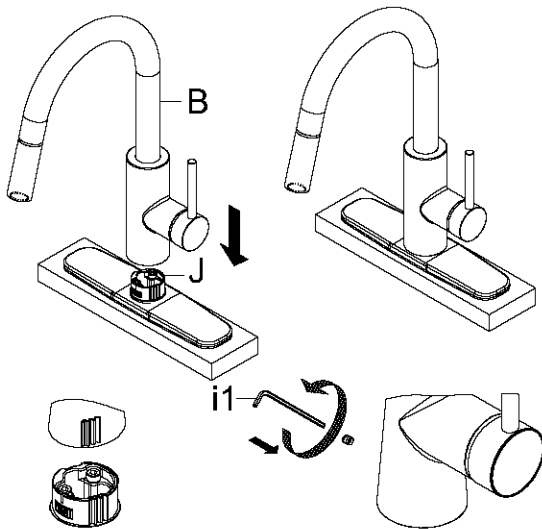
**Installer Tip:** Rotate the two half-moon shaped locking nuts inward before inserting base (J) into deck plate (C).

## Step 2. Install Faucet



Remove Quick Connect (H) from spray hose (F). Insert spray hose (F) into small hole of base (J). Insert hot & cold waterlines (E) and supply hose (D), one by one, in large hole of base.

## Step 3. Secure Faucet

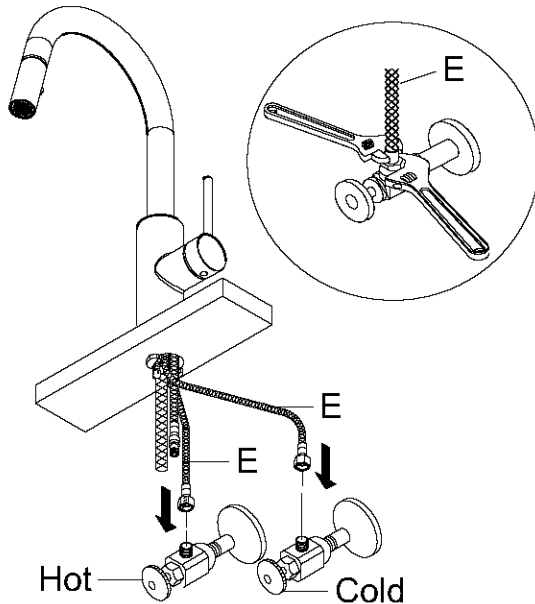


Note: "▲" on base should be in alignment with "▼" on faucet body.

Align arrow on faucet body (B) with arrow on base (J). Attach faucet body (B) to base (J). Secure faucet body (B) by tightening the set screw with 2.5mm hex wrench (i1).

**Installer Tip:** Please loosen set screw from faucet body (B) prior to securing to base (J).

## Step 4. Connect waterlines to main valve

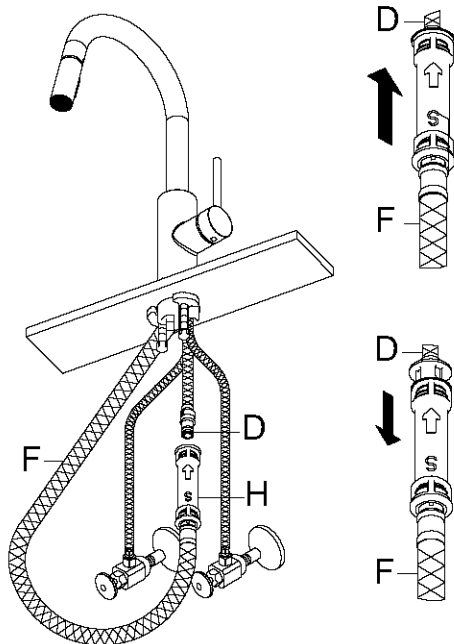


Thread hot & cold waterlines (E) onto angle stops. Tighten with adjustable wrench until snug. Turn on the angle stops and check for leaks.

**DO NOT TURN FAUCET ON**

Installer Tip: Use two wrenches when securing waterlines to angle stops to prevent kinking, as shown in picture

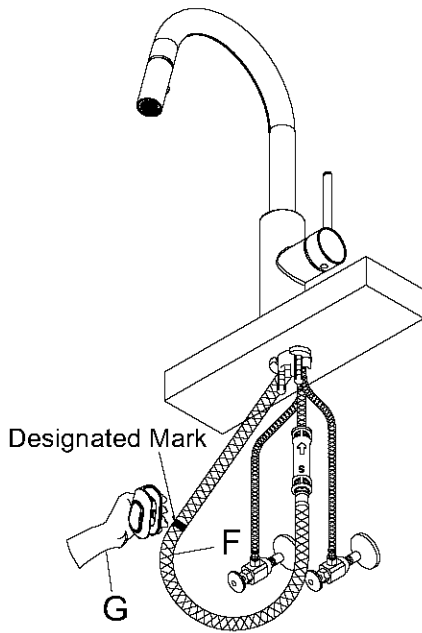
## Step 5. Connect quick connect



Attach Quick Connect (H) with black end onto spray hose (F) until you hear a click. Attach the other end onto the supply hose (D) until you hear a click.

## Step 6. Install weight

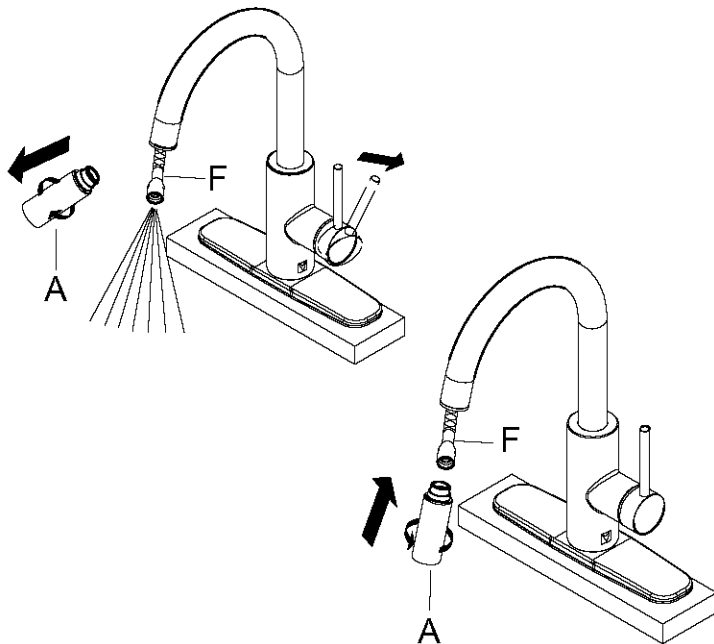
---



Attach weight (G) on the designated mark on the spray hose (F).

## Step 7. Flush faucet

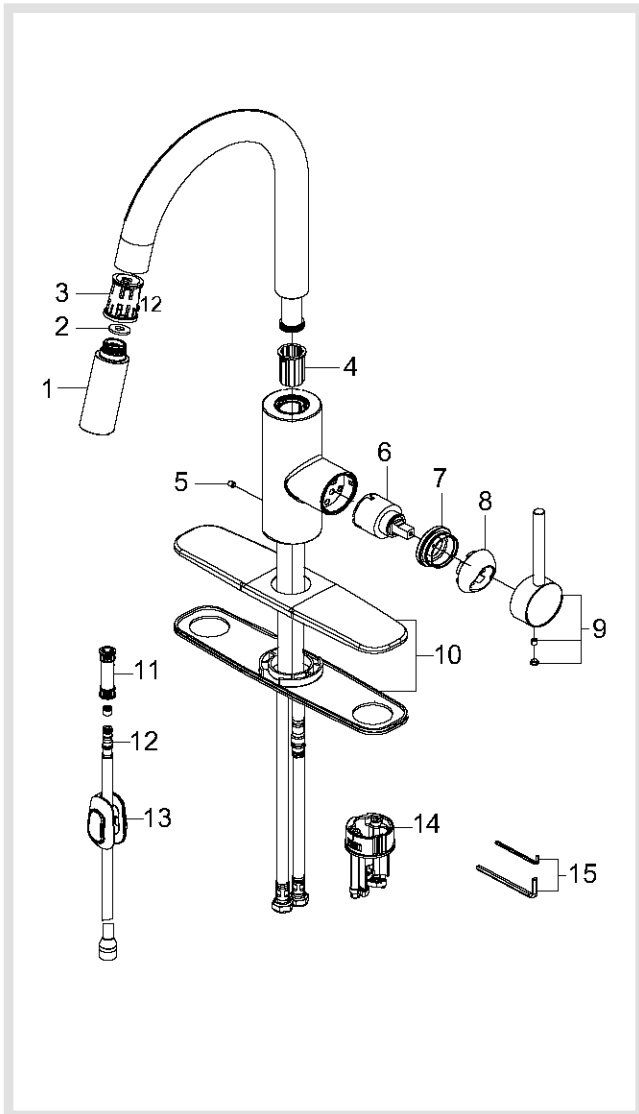
---



Remove spray head (A). Hold tip of spray hose (F). Turn faucet on for 1 minute to flush any debris. Reconnect spray head (A).



## Replacement Parts



Replacement Parts List	Finish/Color	Part #
1. Spray Head	CH,SFS,BB*	KP07002
2. Washer		KP07182
3. Hose Guide	BL, GR*	KP07183
4. Spout Clip		KP07129
5. Set Screw		KP07124
6. Cartridge		KP07047
7. Locking Nut		KP07102
8. Cartridge Cover	CH,SFS,BB*	KP07101
9. Metal Handle	CH,SFS,BB*	KP07009
10. Escutcheon	CH,SFS,BB*	KP07011
11. Quick Connect Assembly		KP07000
12. Spray Hose		KP07121
13. Weight		KP07001
14. Base		KP07123
15. Hex Wrench Set (2.5mm & 4mm)		KP07109

\*Denotes faucet component color options:

CH - Chrome

SFS - Spot Free Stainless Steel

BB - Brushed Bronze

BL - Black

GR - Grey

## Trouble-Shooting

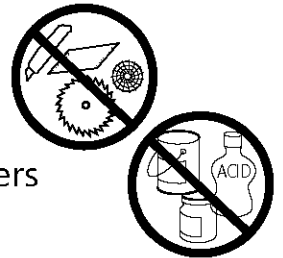
If you have followed the instructions carefully and your faucet still does not work properly, take the following corrective steps:

PROBLEM	CAUSE	ACTION
Leaking from spray hose	Quick Connect (11) may be installed incorrectly	Remove Quick Connect (11) from spray hose (12) and reinstall. Make sure you hear a click when you install it on the spray hose (12).
Water will not shut off completely	Cartridge (6) may need to be adjusted or replaced	Remove index button (9). Loosen set screw (9) with 2.5mm hex wrench (15). Remove metal handle (9). Remove cartridge cover (8) by hand only. Remove locking nut with an adjustable wrench. Remove ceramic disc cartridge (6). Check for cracks.
Hose does not retract	Weight (13) may be installed incorrectly	Readjust weight (13) on the hose (12). Make sure it is installed on the designated mark on the hose (12).
Low flow	Quick Connect (11) may be clogged with debris	Remove Quick Connect (11) from hoses. Soak in 50/50 solution of warm water and vinegar for 5 minutes, then reinstall.

## Care & Maintenance

To keep the product clean & shining, follow the steps below:

1. Rinse with clean water & dry with a soft cloth
2. Do not clean with soaps, acid, polish, abrasives or harsh cleaners
3. Do not use cloth with a coarse surface
4. Unscrew the aerator and clean when necessary



This installation manual is subject to change without further notice.