

Kröus[®]

INSTALLATION MANUAL

 [kitchensource.com](https://www.kitchensource.com)

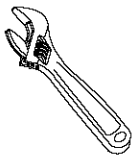
Allyn[™] Transitional Bridge Kitchen Faucet with Pull Down

KPF-3121

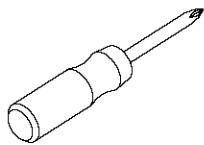
Prior to Installation:

- Make sure you have all necessary parts by checking the diagram and parts list.
- Turn off the hot and cold water supply at the angle stops and turn on the old faucet to release any built up pressure. Remove existing faucet. Clean sink or countertop to remove any debris, plumber's putty, or silicone.
- Flush angle stops to release any debris prior to installation.
- Pre-drilled hole size requirement: 1 1/4" (min) - 1 1/2" (max)
- Max countertop thickness: 2 1/2"
- 3 hole installation

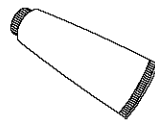
Tools Required



Adjustable Wrench



Phillips Screwdriver

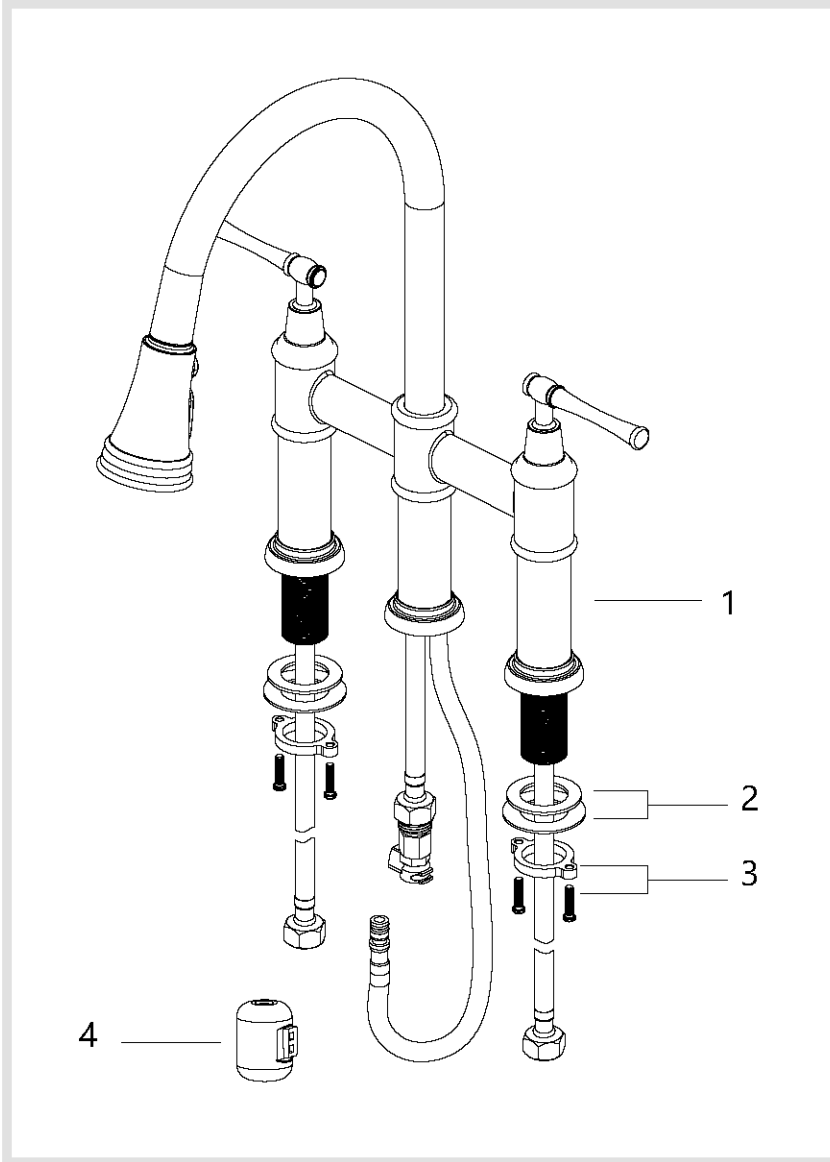


Silicone Sealant



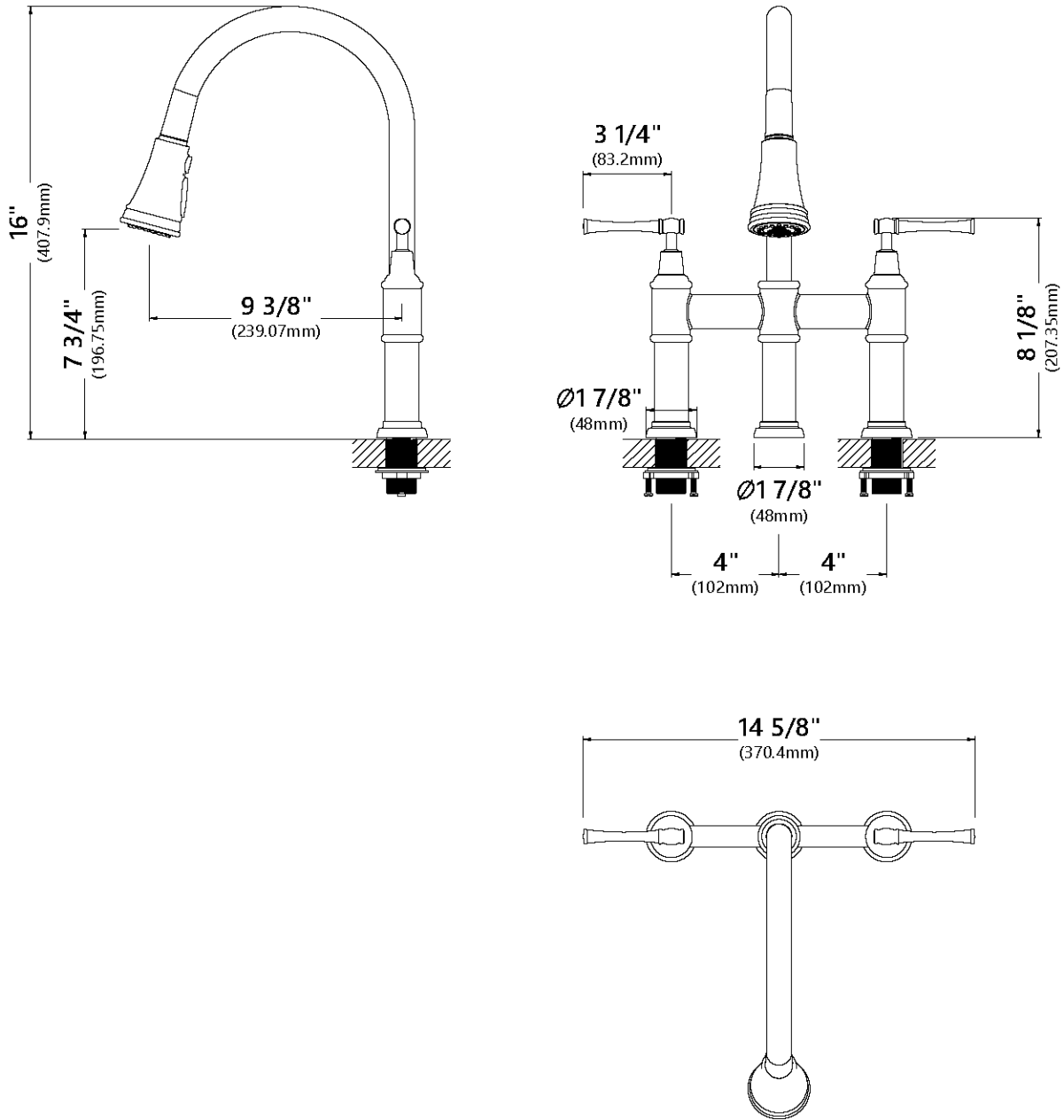
Safety Goggles

Diagram and Parts List



1. Faucet Body
2. Rubber & Metal Washer
3. Mounting Nut & Screws
4. Weight

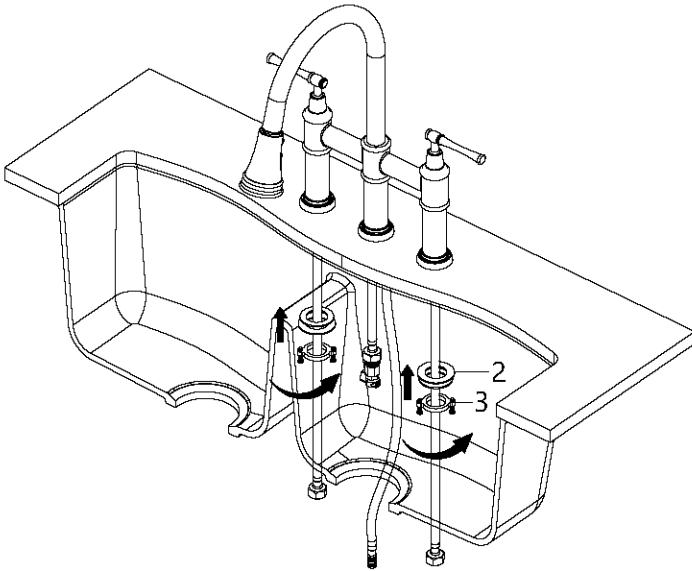
Faucet Installation Procedure



Installer Tip:

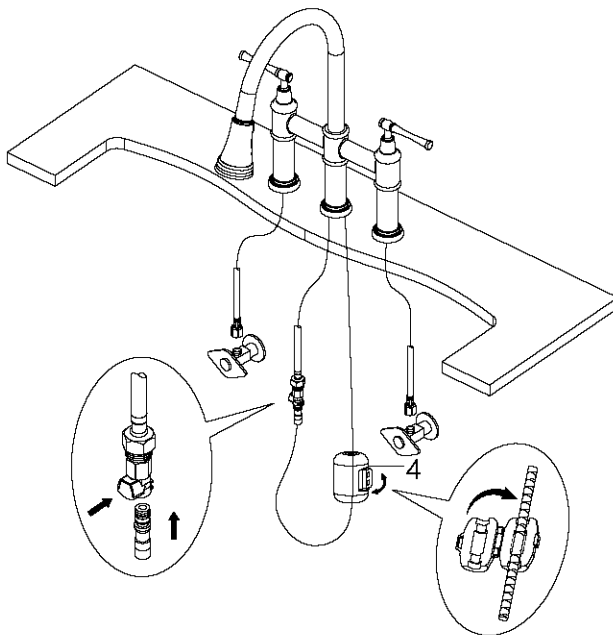
Shut off main water supply before installing new faucet.

Step 1. Install faucet and secure mounting hardware



Secure the faucet body with the rubber and metal washers (2) and the mounting nuts and screws (3). Do not overtighten.

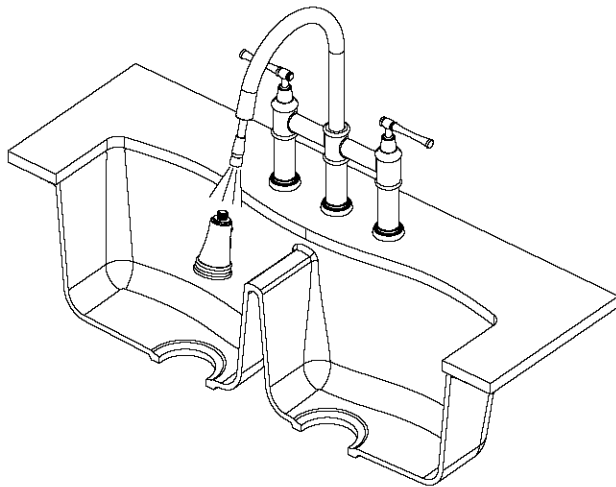
Step 2. Attach spray hose and weight



Connect spray hose to quick connector attached to supply line. Install weight (4) on lowest vertical point on spray hose. White line on the spray hose should be in the center of the weight.

NOTE: Please see Step 5 on page 8 to change the flow rate of the faucet.

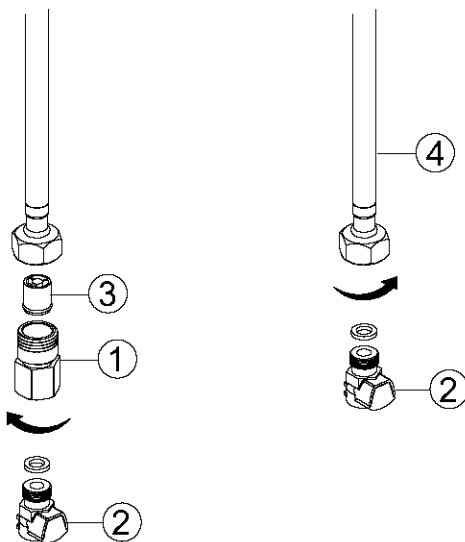
Step 3. Flush spray hose



Remove spray head from spray hose. Hold tip of spray hose. Turn faucet on and let the water run for 60 seconds to flush any debris.

NOTE: Please make sure washer is installed attaching spray head to hose.

Step 4. Flow regulator replacement



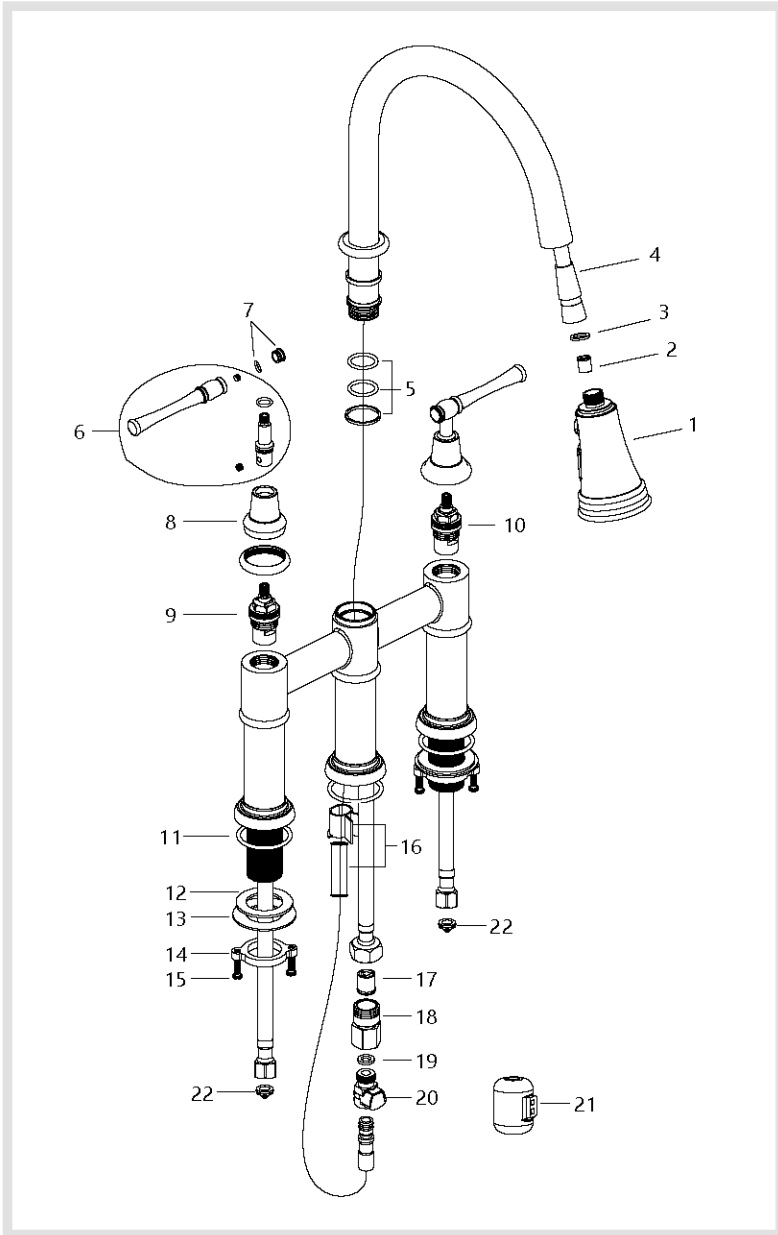
This faucet ships with a 1.8 GPM flow restrictor installed. Remove the 1.8 GPM flow restrictor and the flow rate will be 2.2 GPM.

To switch the flow rate of the faucet:

1. Disassemble the quick connect assembly by unthreading the waterflow adapter (1) and discarding.
2. Reinstall the quick connect assembly (2) by threading it directly into the water pipe (4).

NOTE: In compliance with CEC standards, this faucet is designed with a 1.8 gpm flow rate. At your discretion, you may modify the product with the included 2.2 gpm restrictor. Please note that doing so will remove the capability of this product to meet specific low-flow standards. Kraus is not liable for any alterations made to the product post-sale, and highly advises that you consult with your local or statewide plumbing enforcement agency prior to any modification.

Replacement Parts



Replacement Parts List	Finish/Color	Part #
1. Spray Head	SFS, MB, BG*	KP44010
2. Check Valve		KP44011
3. Washer		KP44012
4. Spray Hose	SFS, MB, BG*	KP44013
5. Spout Washers		KP44014
6. Metal Handle	SFS, MB, BG*	KP44001
7. Lever Button	SFS, MB, BG*	KP44002
8. Cartridge Cover	SFS, MB, BG*	KP44003
9. Cartridge Hot		KP44004-H
10. Cartridge Cold		KP44004-C
11. Base O-Ring		KP44005
12. Rubber Washer		KP44006
13. Metal Washer		KP44007
14. Mounting Nut		KP44008
15. Mounting Screws		KP44009
16. Protective Sleeve		KP44015
17. 1.8 GPM Flow Restrictor	YW*	KP44016
18. Waterflow Adapter		KP44018
19. Washer		KP44019
20. Quick Connector		KP44020
21. EZ-Weight		KP44021
22. Filter Washers		KP44022

*Denotes faucet component color options:
 SFS - Spot Free Stainless Steel
 MB - Matte Black
 BG - Brushed Gold
 YW - Yellow

Trouble-Shooting

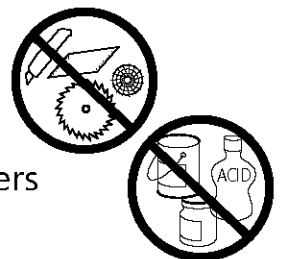
If you have followed the instructions carefully and your faucet still does not work properly, take the following corrective steps:

PROBLEM	CAUSE	ACTION
Leakage under faucet handle	Locking nut has come loose or cartridge needs to be reseated.	Remove button located at top of handle. Loosen set screw with hex wrench. Remove handle and unscrew cartridge cover by hand. Tighten locking nut with an adjustable wrench.
Water does not shut off completely	Cartridge may need to be adjusted or replaced.	Remove button located at top of handle. Loosen set screw with hex wrench. Remove handle and unscrew cartridge cover by hand. Unscrew locking nut with an adjustable wrench. Remove ceramic disc cartridge. Check for cracks, and if O-ring is seated correctly. Reseat cartridge.
Leaking between spray head and the hose	Spray head may be loose or washer is not seated correctly in the hose connection.	Tighten spray head by hand until snug. Make sure washer is seated correctly.
Hose does not retract	Weight may be installed incorrectly.	Readjust weight on hose.
Low flow	Aerator may be clogged The screen filter in the hose connectors is dirty.	Unscrew aerator with aerator key. Hold tip of spray head and turn on water to flush debris. Turn off the water supply at water valve and unscrew the hose connectors from water supply lines. Clean the screen in the water lines with hot water, removing any debris or calcium build up.

Care & Maintenance

* To keep the product clean & shining, follow the steps below:

1. Rinse with clean water & dry with a soft cloth
2. Do not clean with soaps, acid, polish, abrasives or harsh cleaners
3. Do not use cloth with a coarse surface
4. Unscrew the aerator and clean when necessary



* This installation manual is subject to change without further notice.