

Kräus[®]

INSTALLATION MANUAL

Industrial Pull Down Kitchen Faucet

KPF-3126

Congratulations on the purchase of your new Kraus® plumbing fixture!

Please keep the box and packaging materials until your product is completely installed. If you have any questions, require technical assistance or have any problems with your product:



DO NOT RETURN TO STORE

**Please contact our Customer Service Team
1-800-775-0703 / customerservice@kraususa.com**

Have the model number available and retain a copy of your receipt with purchase date for reference.

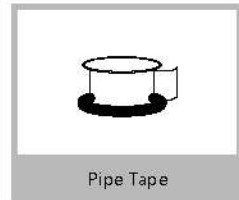
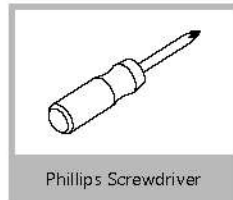
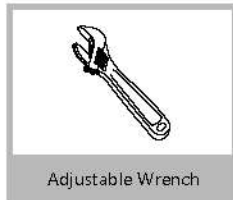
If for any reason this product does not meet your expectations, please be sure to repack this product in the original box and packaging material to avoid damage during transit.



Prior to Installation:

- Make sure you have all necessary parts by checking the diagram and parts list. If any part is missing or damaged, please contact Kraus® Customer Service at 800-775-0703 for a replacement.
- Read all instructions and safety warnings and ensure you have all tools, parts, and equipment necessary for a safe installation.
- Turn off the hot and cold water supply at the angle stops and turn on the old faucet to release any built up pressure. Remove existing faucet. Clean sink or countertop to remove any debris, plumber's putty, or silicone.
- Flush angle stops to release any debris prior to installation.
- Pre-drilled hole size requirement: 1 3/8" (min)
- Max countertop thickness: 2 3/8"

Tools Required



Care & Maintenance

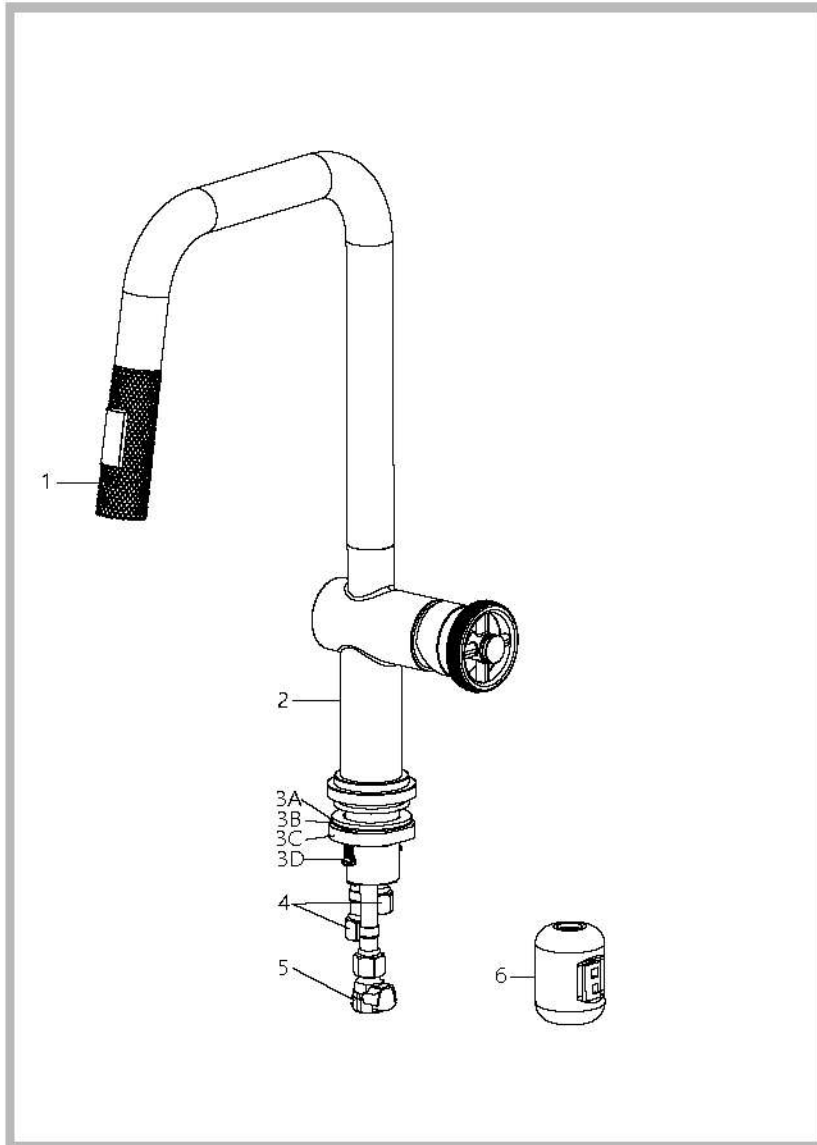
To keep the product clean & shining, follow the steps below:

1. Rinse with clean water & dry with a soft cloth
2. Do not clean with soaps, acid, polish, abrasives or harsh cleaners
3. Do not use cloth with a coarse surface
4. Unscrew the aerator and clean when necessary



This installation manual is subject to change without further notice.

Diagram and Parts List

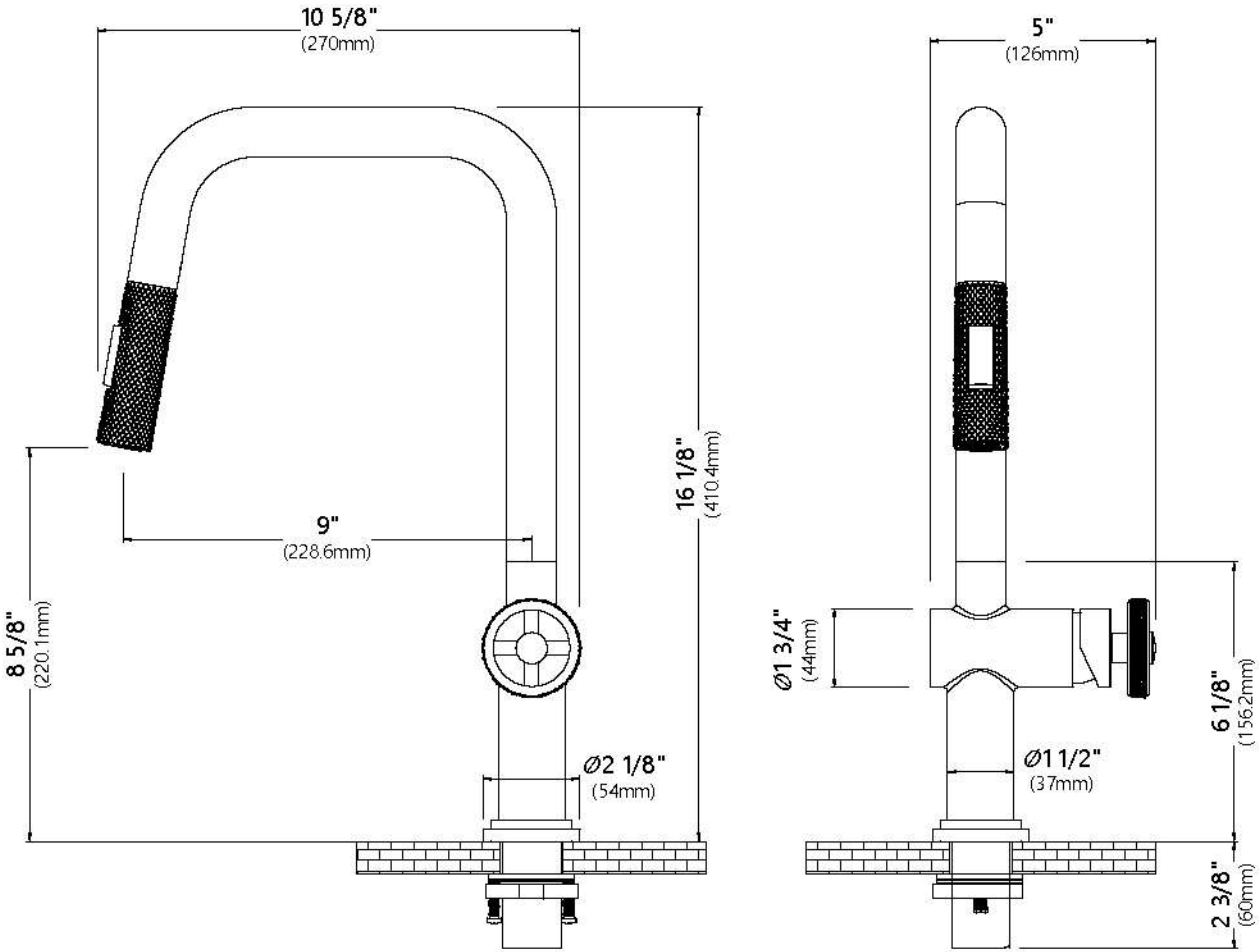


1. Spray Head
2. Faucet Body
- 3A. Rubber Washer
- 3B. Metal Washer
- 3C. Mounting Nut
- 3D. Mounting Screws
4. Waterlines
5. Quick Connector
6. Weight

**For technical assistance or replacement parts, please contact Kraus®
Customer Service and one of our representatives will be happy to help:**

Toll-Free: 800-775-0703 or Customerservice@kraususa.com

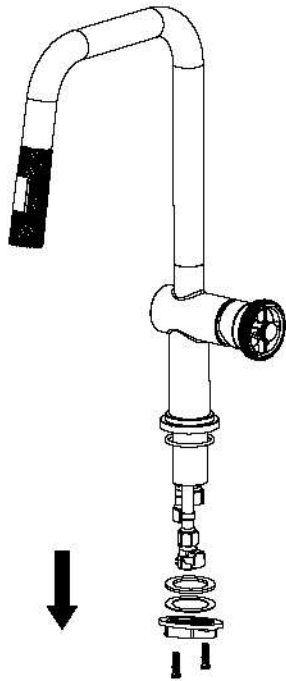
Faucet Dimensions



Installer Tip:

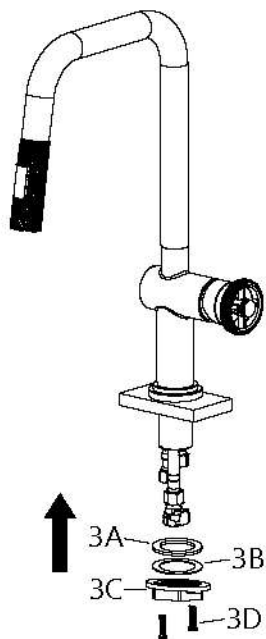
Shut off main water supply before installing new faucet.

Step 1. Remove mounting hardware



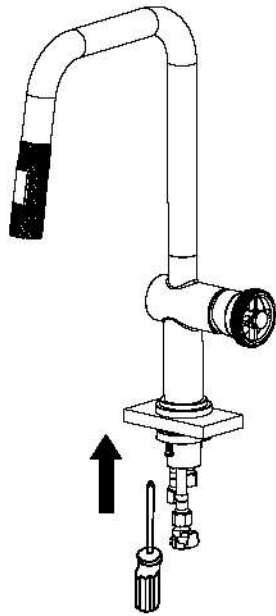
Remove the mounting screws (3D), mounting nut (3C), metal washer (3B) and rubber washer (3A) from the mounting pipe.

Step 2. Install faucet and mounting hardware



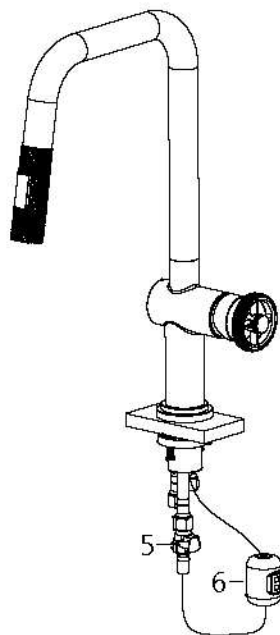
Insert faucet body (2) into hole in countertop or deck plate assembly. Install mounting hardware (3A, B, C & D) from underneath the countertop.

Step 3. Secure mounting hardware



Adjust direction of faucet body (2) so that handle is on right side of faucet. Tighten mounting nut (3C) until snug. Tighten mounting screws (3D) to nut with Phillips screwdriver until snug.

Step 4. Attach spray hose and counterweight



Connect spray hose to quick connector (5) attached to supply line. Install weight (6) on mark where label on spray hose.