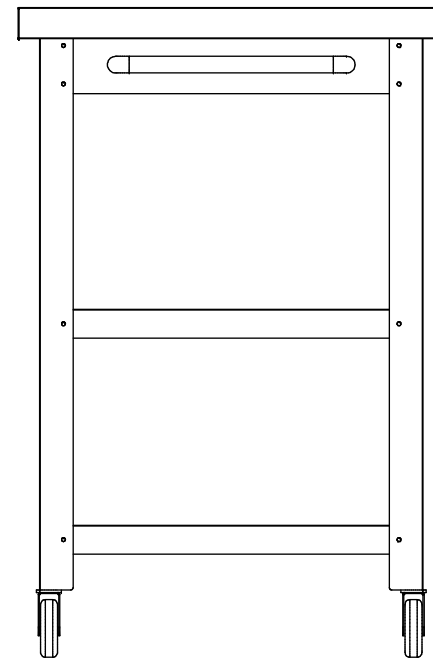
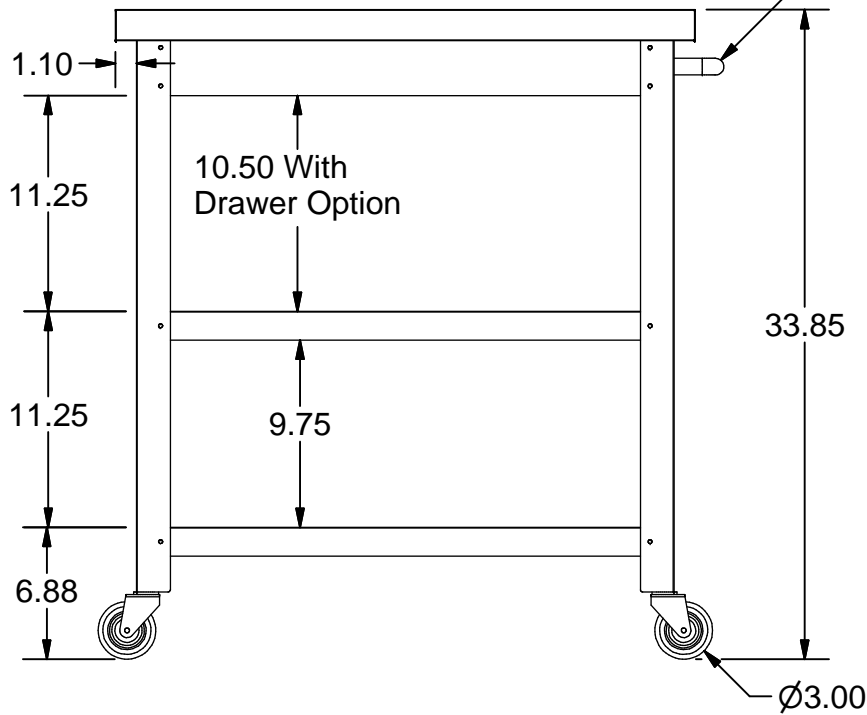


Handle Standard on C3022
Handle Optional on C2718



100 lb capacity

Opt Draw Size

W	D	H
21.00	16.62	2.50
18.00	12.62	2.50

Co: Danver	Project: Carts	Part #: Part#	Mat:
Descrip: C3022 Assembly			Qty: Qty