

88 5013 941 Kitchen Island

IMPORTANT NOTE

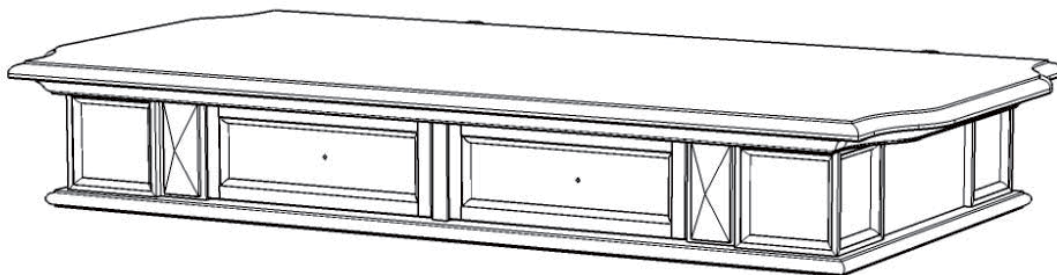
Carefully remove all the parts from the carton and put them individually on a soft cloth to prevent scratches or other damage occurring to the parts.

We have taken great care in the design of this product and request that you carefully and strictly follow our assembly instructions to ensure a completed product as it was designed.

*Home
Styles*



Part List



A.
Top Unit
1 pc.

For assembly see instructions in carton 88 5013 943

Tools required for assembly : Phillips screwdriver

88 5013 942 Kitchen Island



Home Styles

IMPORTANT NOTE

Carefully remove all the parts from the carton and put them individually on a soft cloth to prevent scratches or other damage occurring to the parts.

We have taken great care in the design of this product and request that you carefully and strictly follow our assembly instructions to ensure a completed product as it was designed.

Part List



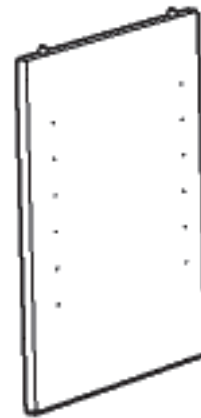
B.
Leaf Top
1 pc.



C.
Back Stretcher
2 pcs.



D.
Back Upright
1 pc.



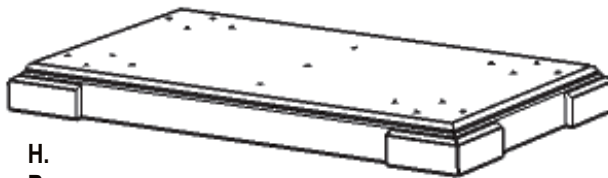
E.
Middle Panel
1 pc.



F.
Rail
2 pcs.



G.
Shelf
4 pcs.



H.
Base
1 pc.



N.
Back Panel
2 pcs.

Hardware List



Hex Wrench
1 pc.



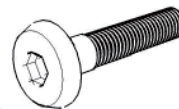
Small Wrench
1 pc.



Cam Lock
4 pcs. (+2 extra)



Cam Lock Screw
4 pcs. (+1 extra)



**M6x35
Head Cap Bolt**
18 pcs. (+1 extra)



Adjustable Pin
32 pcs. (+1 extra)



**M4x25
Machine Screw**
4 pcs.



**M3.5x16
Wood Screw**
9 pcs. (+1 extra)



Knob
4 pcs.

For assembly see instructions in carton 88 5013 943

Tools required for assembly : Phillips screwdriver

Tools recommended for assembly : Level

88 5013 943 Kitchen Island

IMPORTANT NOTE

Carefully remove all the parts from the carton and put them individually on a soft cloth to prevent scratches or other damage occurring to the parts.

We have taken great care in the design of this product and request that you carefully and strictly follow our assembly instructions to ensure a completed product as it was designed.

*Home
Styles*



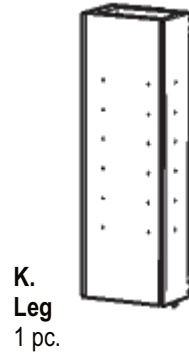
Part List



I.
Leg
1 pc.



J.
Leg
1 pc.



K.
Leg
1 pc.



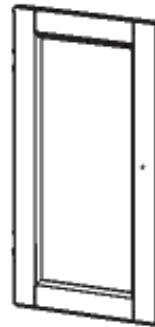
L.
Leg
1 pc.



M.
Side Panel
2 pcs.



O.
Shelf
4 pcs.



P.
Door
1 pc.

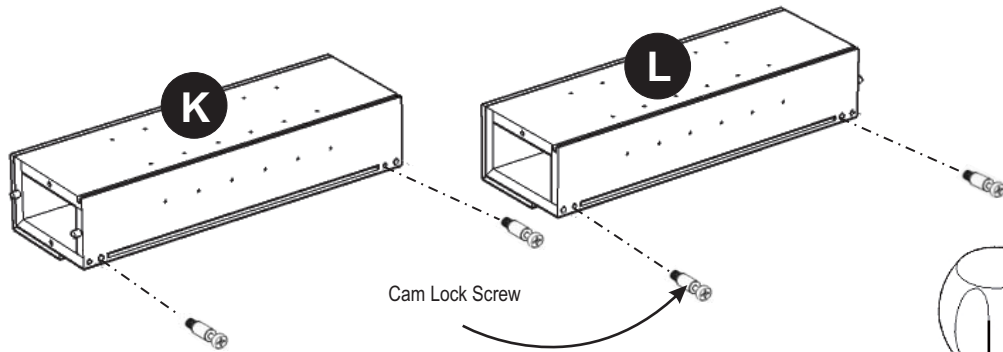


Q.
Door
1 pc.

For assembly also need carton 88 5013 941, 942

IMPORTANT

- * Please keep Hex Wrench in a safe place as you may need to tighten up the Head Cap Bolts in the future.
- * Do not tighten up all the bolts until each part is properly assembled.
- * Use a soft cloth between these parts and the floor.
- * After assembly, item must be level to work properly. Use the included adjustable levelers to level.



STEP 1

Insert Cam Lock Screws into pre-drilled holes of Legs (K) and (L).
(See Figure 1)

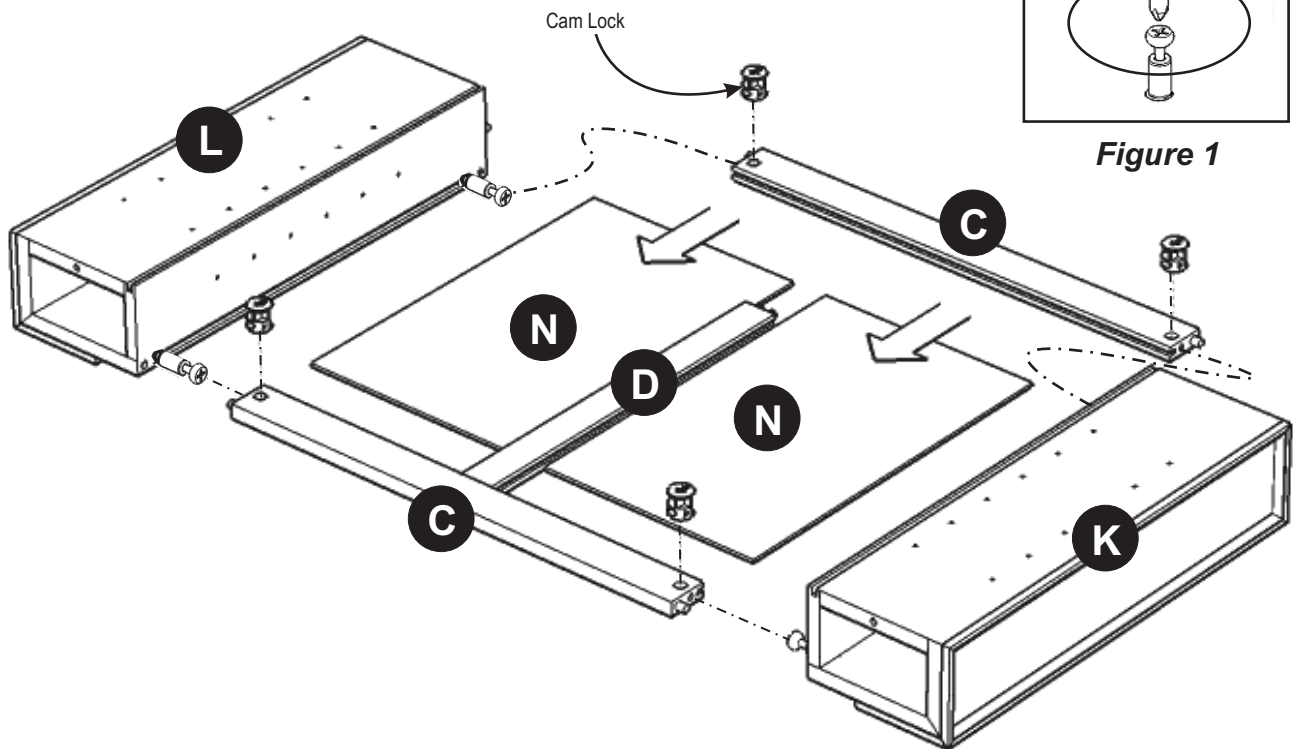


Figure 1

STEP 2

Attach Back Stretcher (C) to Leg (K) with Cam Lock.
(See Figure 2)

Attach Back Upright (D) to Back Stretcher (C).

Slide Back Panels (N) into place, then attach
Back Stretcher (C) to unit with Cam Lock.

Attach Leg (L) to unit with Cam Locks.

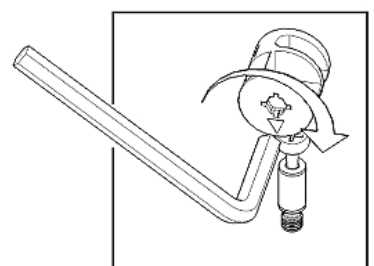


Figure 2

Assembly Instructions 3/5

STEP 3

Attach unit from Step 2 Middle Panel (E) to Base (H) with Head Cap Bolts. (See Figure 3)

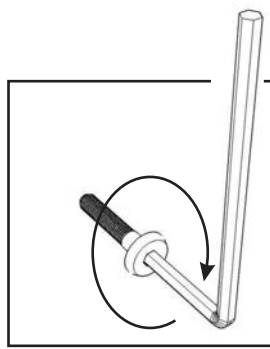
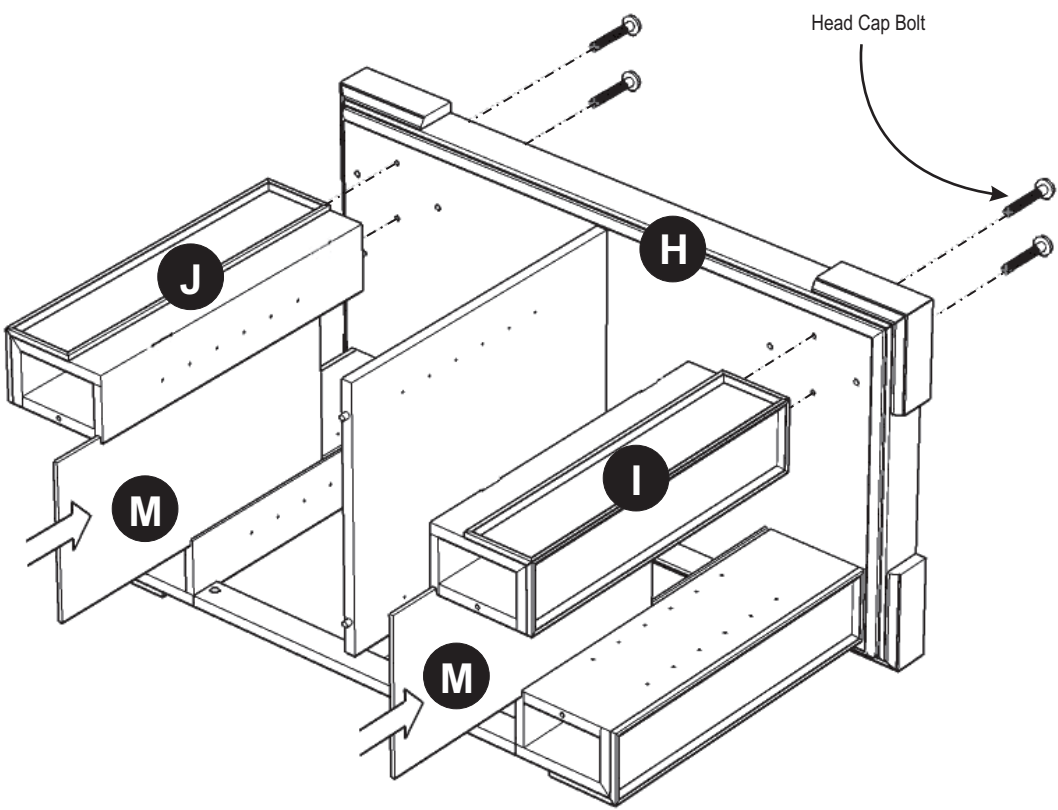
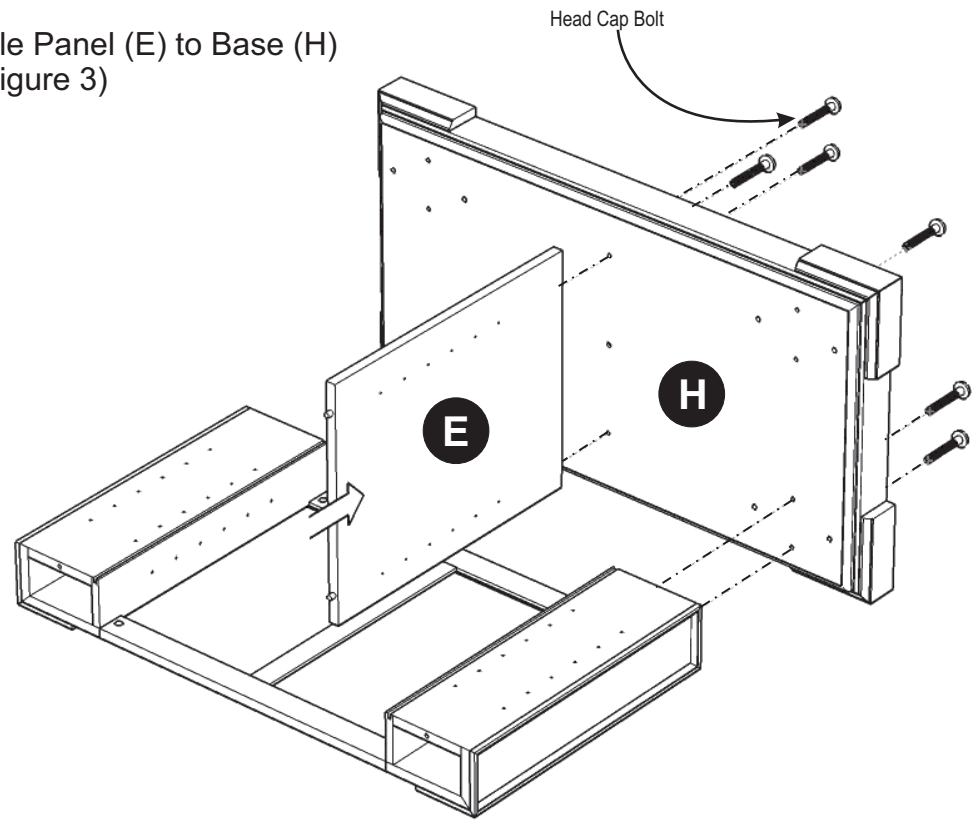


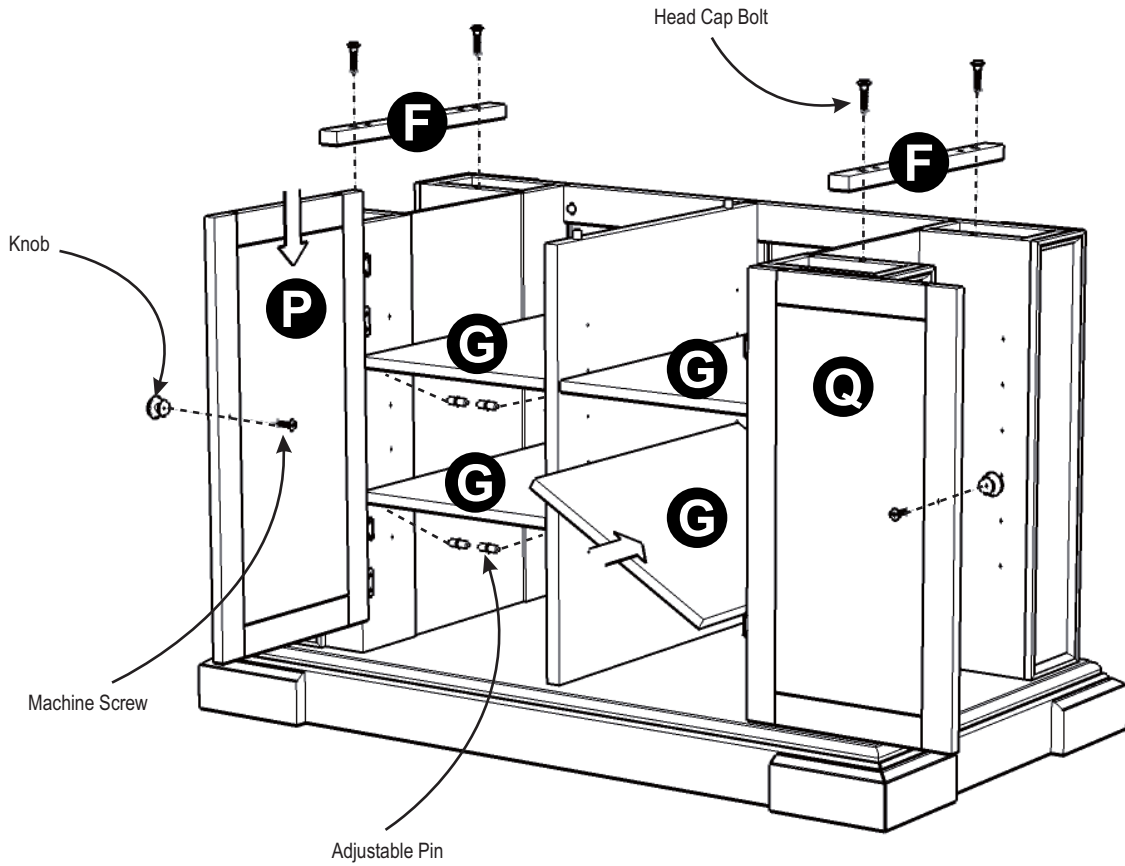
Figure 3



STEP 4

Attach Legs (I) and (J) to Base (H) with Head Cap Bolts.

Slide Side Panels (M) into position.



STEP 5

Attach Rail (F) to unit with Head Cap Bolts.

Attach Adjustable Pins into side panels and middle panel at the desired level.

Slide Shelves (G) into place.

Attach Knobs to Doors (P) and (Q) with Machine Screws. (See Figure 4)

Attach Doors (P) and (Q) to side panel by sliding the door lift hinges into the side panel lift hinges. (See Figure 5)

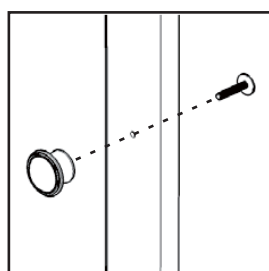


Figure 4

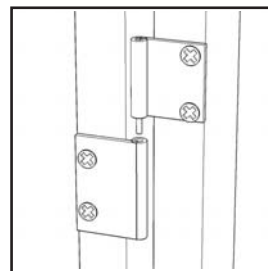


Figure 5

Assembly Instructions 5/5

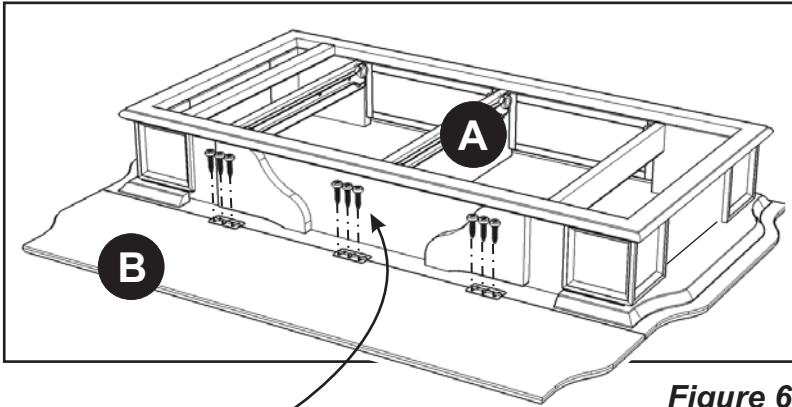


Figure 6

Wood Screw

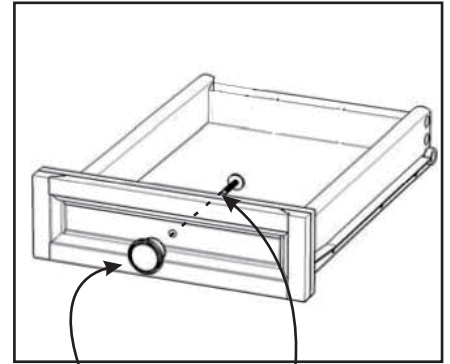


Figure 7

Knob

Machine Screw

STEP 6

Attach Top unit (A) to Leaf Top (B) with Wood Screws. (See Figure 6)

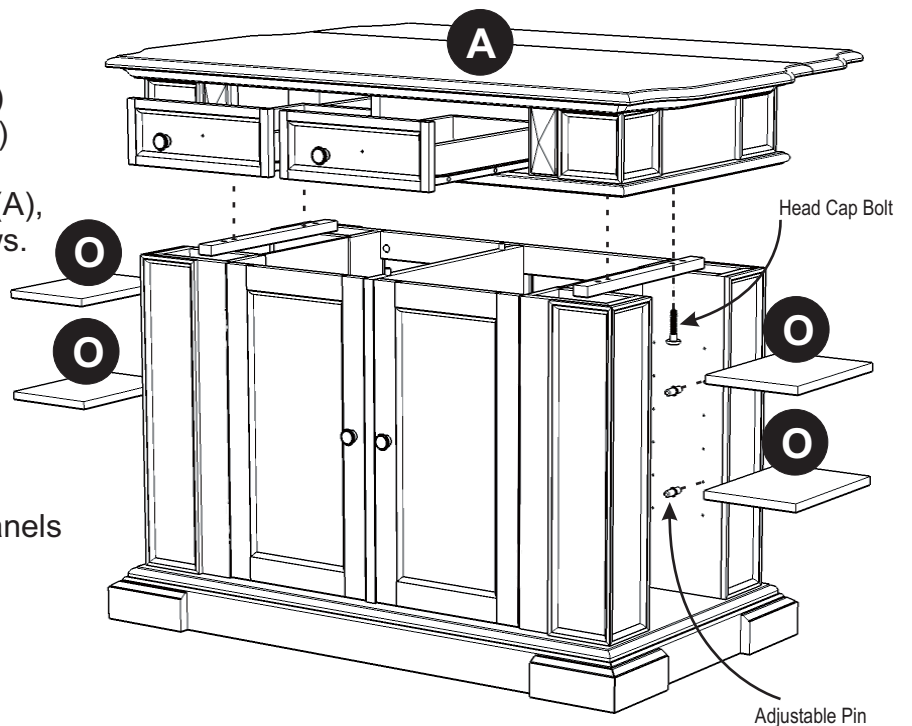
Remove the Drawers in Top Unit (A), attach Knobs with Machine Screws. (See Figure 7)

Attach Top Unit (A) onto the unit with Head Cap Bolts.

Slide Drawers into position.

Insert Adjustable Pins into side panels at the desired level.

Slide Shelves (O) into place.



To level the unit, adjust the adjustable levelers on the bottom of unit. (See Figure 8)

Note : Unit must be level to work properly.

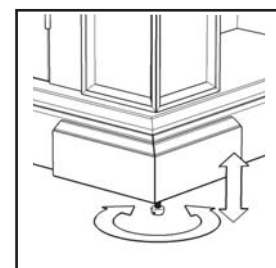


Figure 8