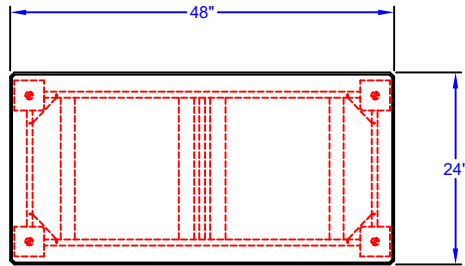
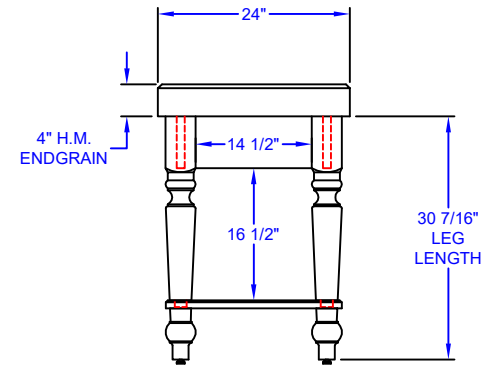
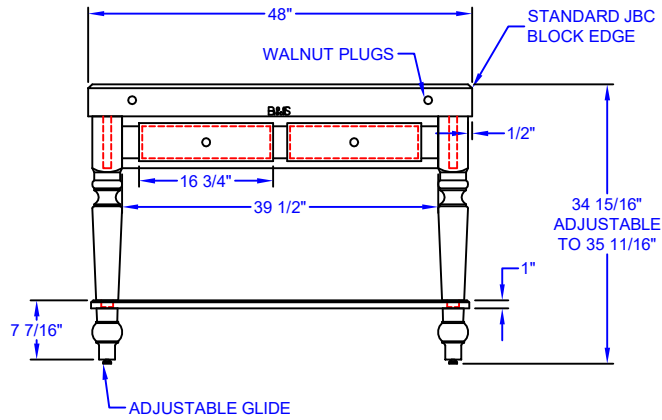


NOTES:

NOTE:
 - HARD MAPLE END GRAIN TOP, STANDARD BOOS BLOCK CREAM FINISH



BASE COLOR OPTIONS	
FINISH	SUFFIX
ALABASTER	-AL
BARN RED	-BN
BASIL GREEN	-BS
BLACK	-BK
CHERRY STAIN	-CR
EGGPLANT	-EP
NATURAL MAPLE	-N
SAGE GREEN	-S
SPORTY BLUE	-SB
TANGERINE	-TG
USEFUL GRAY STAIN	-UG



MATERIALS

DECK: HARD MAPLE
 BASE:

JOHN BOOS & CO.

REVISIONS:

JOHN BOOS & COMPANY

GOURMET FURNISHINGS

THIS DRAWING AND THE DESIGN SHOWN ARE THE PROPERTY OF JOHN BOOS & CO. REPRODUCTION, INFRINGEMENT OR ANY OTHER UNAUTHORIZED USE OF THIS DRAWING WITHOUT THE WRITTEN CONSENT OF JOHN BOOS & CO. WILL BE SUBJECT TO LEGAL ACTION.

SALES ORDER NUMBER:

JK

DRAWN BY:

8-15-96

DATE:

1/2"-1"

SCALE:

MODEL NUMBER:
CUCR05-SHF

QUANTITY:

RUSTICA

ITEM NUMBER:

ROOM NUMBER:

QUAD LOCATION: