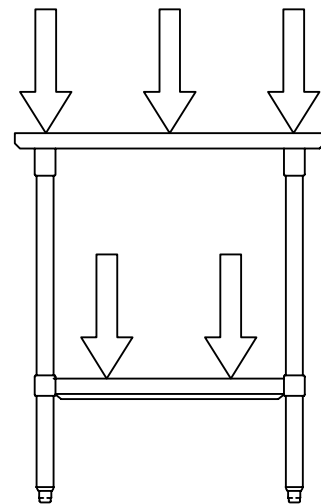
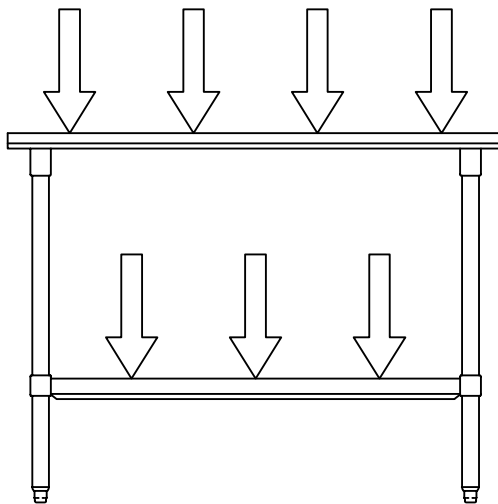
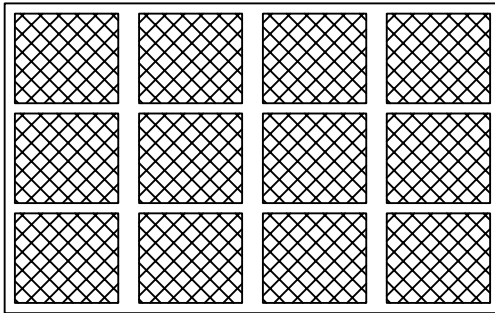




LOAD RATINGS

ALL LOAD RATINGS ARE CALCULATED TO BE EVENLY DISTRIBUTED LOADS.



SBO TABLES - WELDED BASE				
FRAME ONLY - WELDED BASE				
WIDTH	LENGTH	WEIGHT CAPACITY (lbs.)		
		TOP	SHELF	TOTAL MAX
24, 30, 36	48	1000	300	1000
	60	900	150	1000
	72	530	100	-
	84	1500	900	1500
	96	1500	600	1500
	108	1500	400	1500
	120	1500	300	1500
	132	1350	240	1500
	144	1050	200	-
FRAME w/ WOOD TOP - WELDED BASE				
WIDTH	LENGTH	WEIGHT CAPACITY (lbs.)		
		TOP	SHELF	TOTAL MAX
24, 30, 36	48	1000	300	1000
	60	1000	150	1000
	72	1000	100	1000
	84	1500	900	1500
	96	1500	600	1500
	108	1500	400	1500
	120	1500	300	1500
	132	1500	240	1500
	144	1500	200	1500

***ALL WEIGHT CAPACITIES ARE BASED ON EVENLY DISTRIBUTED LOADS WITH A MAX DEFLECTION OF 1/4"**