



ITEM #: \_\_\_\_\_ QTY: \_\_\_\_\_  
 MODEL #: \_\_\_\_\_  
 PROJECT NAME: \_\_\_\_\_

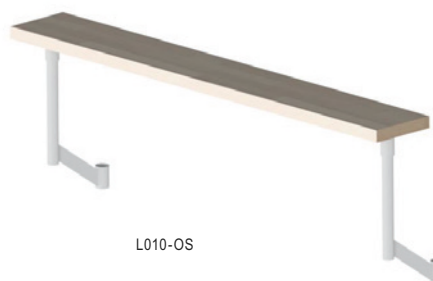
**kitchensource.com**  
 1.800.667.8721

080917

**"L-OS" MAPLE STEAM TABLE BOARDS**  
**W/ ADJUSTABLE STAINLESS STEEL SUPPORT ARMS**  
**W/ PENETRATING OIL FINISH**

**FEATURES:**

- EDGE GRAIN CONSTRUCTION
- HARD ROCK MAPLE
- FINISHED W/ PENETRATING OIL
- ADJUSTABLE STAINLESS STEEL SUPPORT ARMS
- BOARDS 84" AND 96" LONG INCLUDE ADDITIONAL SUPPORT ARM



**MAPLE STEAM TABLE BOARDS - 1-1/4" THICK**

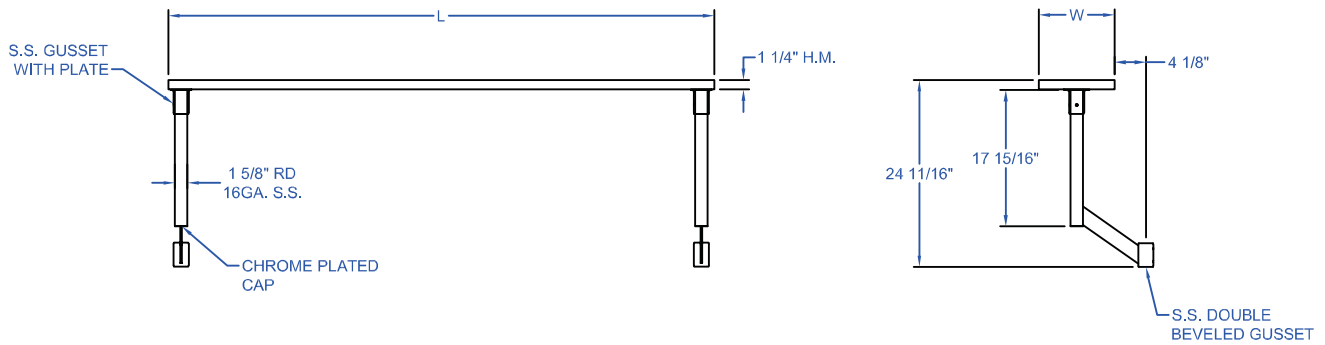
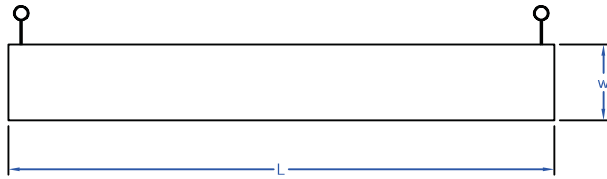
LENGTH	8" WIDE	QTY	10" WIDE	QTY	12" WIDE	QTY
48"	L043-OS		L050-OS		L057-OS	
60"	L044-OS		L051-OS		L058-OS	
72"	L045-OS		L052-OS		L059-OS	
84"	L046-OS *		L053-OS *		L060-OS *	
96"	L047-OS *		L054-OS *		L061-OS *	

**MAPLE STEAM TABLE BOARDS - 1-3/4" THICK**

LENGTH	8" WIDE	QTY	10" WIDE	QTY	12" WIDE	QTY
48"	L001-OS		L008-OS		L015-OS	
60"	L002-OS		L009-OS		L016-OS	
72"	L003-OS		L010-OS		L017-OS	
84"	L004-OS *		L011-OS *		L018-OS *	
96"	L005-OS *		L012-OS *		L019-OS *	

\* 3 SUPPORT ARMS

# DETAILED SPECIFICATIONS



## MAPLE STEAM TABLE BOARDS - 1-1/4" THICK

LENGTH	8" WIDE	WEIGHT (LBS)	10" WIDE	WEIGHT (LBS)	12" WIDE	WEIGHT (LBS)
48"	L043-OS	26	L050-OS	30	L057-OS	34
60"	L044-OS	30	L051-OS	35	L058-OS	40
72"	L045-OS	34	L052-OS	40	L059-OS	46
84"	L046-OS *	45	L053-OS *	50	L060-OS *	57
96"	L047-OS *	47	L054-OS *	55	L061-OS *	63

## MAPLE STEAM TABLE BOARDS - 1-3/4" THICK

LENGTH	8" WIDE	WEIGHT (LBS)	10" WIDE	WEIGHT (LBS)	12" WIDE	WEIGHT (LBS)
48"	L001-OS	30	L008-OS	34	L015-OS	38
60"	L002-OS	35	L009-OS	40	L016-OS	45
72"	L003-OS	40	L010-OS	46	L017-OS	52
84"	L004-OS *	50	L011-OS *	57	L018-OS *	64
96"	L005-OS *	55	L012-OS *	63	L019-OS *	71

\* 3 SUPPORT ARMS

SOME UNITS SHIP UNASSEMBLED FOR REDUCED SHIPPING COST. ALL DIMENSIONS ARE TYPICAL. TOLERANCE +/- .500"

John Boos & Co. is constantly engaged in a program of improving products and therefore reserves the right to change specifications without prior notice.

