



ITEM #: _____ QTY: _____
 MODEL #: _____
 PROJECT NAME: _____

071917

∴kitchensource.com
 ☎ 1.800.667.8721

"ST4-GSK" STAINLESS STEEL TOP WORK TABLES
14GA TOP AND GALV LEGS AND ADJUSTABLE UNDERSHELF



FEATURES:

- 14 GAUGE STAINLESS STEEL TOP
- TYPE 300 STAINLESS STEEL WITH # 4 POLISH, SATIN FINISH
- TOP IS SOUND DEADENED
- REINFORCED WITH 1"X2" CHANNEL RUNNING ENTIRE LENGTH OF TABLE
- 1-1/2" STALLION EDGE ON FRONT AND REAR WITH SIDE EDGES 90 DEGREE BEND DOWN FOR TABLE LINE-UP
- GALVANIZED BASE WITH ADJUSTABLE UNDERSHELF
- SHIPPED KNOCKED-DOWN, EASY-TO-ASSEMBLE
- NSF AND CSA CERTIFIED



ST4-3048GSK

CONSTRUCTION:

- TOP: STAINLESS STEEL TOPS ARE TIG WELDED, EXPOSED WELDS ARE POLISHED TO MATCH ADJACENT SURFACE.

MATERIAL:

- TOP: 14 GAUGE STAINLESS STEEL TYPE 300 STAINLESS STEEL WITH # 4 POLISH, SATIN FINISH
- SHELF: 18 GAUGE GALVANIZED STEEL (36" WIDE TABLES, 16 GAUGE LOWER SHELF)
- LEGS: 1-5/8" ROUND O.D., 16 GAUGE TUBULAR GALVANIZED STEEL
- GUSSETS: GALVANIZED STEEL
- FEET: 1" ADJUSTABLE GALVANIZED BULLET FEET



ADJUSTABLE LOWER SHELF

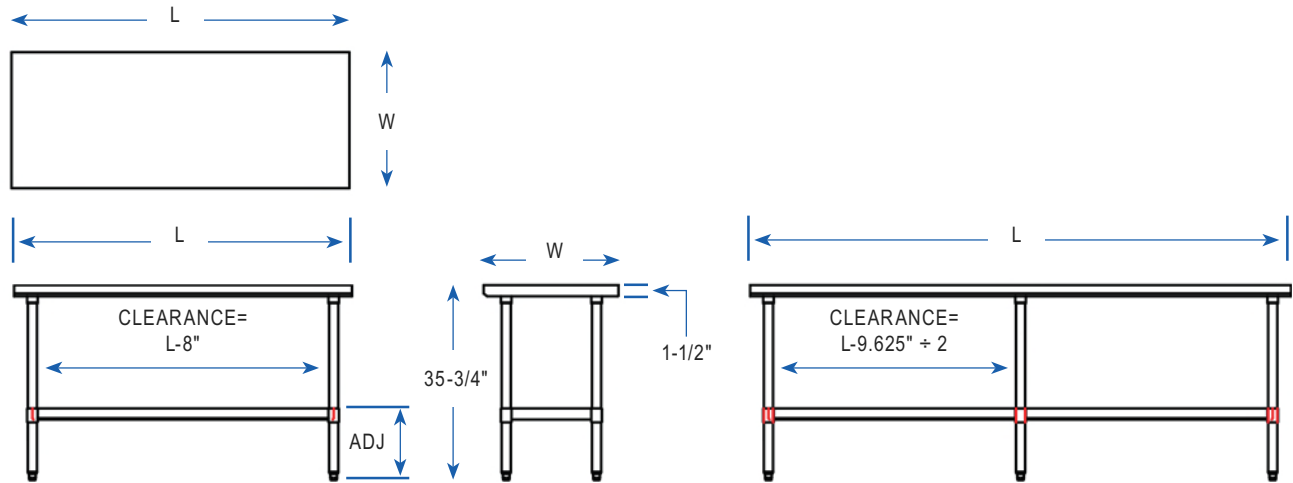
14 GAUGE TOP W/ ADJUSTABLE BRACING

| 24" WIDE | QTY | 30" WIDE | QTY | 36" WIDE | QTY |
|--------------|-----|--------------|-----|--------------|-----|
| ST4-2424GSK | | ST4-3024GSK | | ST4-3624GSK | |
| ST4-2430GSK | | ST4-3030GSK | | ST4-3630GSK | |
| ST4-2436GSK | | ST4-3036GSK | | ST4-3636GSK | |
| ST4-2448GSK | | ST4-3048GSK | | ST4-3648GSK | |
| ST4-2460GSK | | ST4-3060GSK | | ST4-3660GSK | |
| ST4-2472GSK | | ST4-3072GSK | | ST4-3672GSK | |
| ST4-2484GSK | | ST4-3084GSK | | ST4-3684GSK | |
| ST4-2496GSK | | ST4-3096GSK | | ST4-3696GSK | |
| ST4-24108GSK | | ST4-30108GSK | | ST4-36108GSK | |
| ST4-24120GSK | | ST4-30120GSK | | ST4-36120GSK | |
| ST4-24132GSK | | ST4-30132GSK | | ST4-36132GSK | |
| ST4-24144GSK | | ST4-30144GSK | | ST4-36144GSK | |

OPTIONAL ACCESSORIES

| DESCRIPTION | MODEL # | QTY |
|-------------|---------|-----|
| DRAWER | | |
| DRAWER LOCK | | |
| CASTERS | | |
| OVERSHELVES | | |
| SINKS | | |
| POT RACK | | |

DETAILED SPECIFICATIONS



- UNITS 7 FT. AND LARGER ARE FURNISHED WITH SIX LEGS.
- FINISHED SIZE OF UNDERSHELF.
SHELF LENGTH = LENGTH MINUS 4.875"
SHELF WIDTH = WIDTH MINUS 4.25

14 GAUGE TOP W/ ADJUSTABLE UNDERSHELF

| LENGTH | 24" WIDE | WT. (LBS) | 30" WIDE | WT. (LBS) | 36" WIDE | WT. (LBS) |
|--------|--------------|-----------|--------------|-----------|--------------|-----------|
| 24" | ST4-2424GSK | 38 | ST4-3024GSK | 46 | ST4-3624GSK | 52 |
| 30" | ST4-2430GSK | 50 | ST4-3030GSK | 51 | ST4-3630GSK | 61 |
| 36" | ST4-2436GSK | 57 | ST4-3036GSK | 65 | ST4-3636GSK | 85 |
| 48" | ST4-2448GSK | 71 | ST4-3048GSK | 82 | ST4-3648GSK | 92 |
| 60" | ST4-2460GSK | 84 | ST4-3060GSK | 98 | ST4-3660GSK | 111 |
| 72" | ST4-2472GSK | 103 | ST4-3072GSK | 121 | ST4-3672GSK | 138 |
| 84" | ST4-2484GSK | 118 | ST4-3084GSK | 138 | ST4-3684GSK | 157 |
| 96" | ST4-2496GSK | 133 | ST4-3096GSK | 154 | ST4-3696GSK | 175 |
| 108" | ST4-24108GSK | 147 | ST4-30108GSK | 170 | ST4-36108GSK | 194 |
| 120" | ST4-24120GSK | 160 | ST4-30120GSK | 186 | ST4-36120GSK | 213 |
| 132" | ST4-24132GSK | 175 | ST4-30132GSK | 200 | ST4-36132GSK | 275 |
| 144" | ST4-24144GSK | 186 | ST4-30144GSK | 215 | ST4-36144GSK | 240 |

MODEL # STRUCTURE

24 = WIDTH OF WORK SURFACE
4 = 14GA WORK SURFACE
ST = STAINLESS STEEL TOP

30 = LENGTH OF WORK SURFACE
GS = GALVANIZED LEGS & SHELF
K = K.D. W/ ADJUSTABLE BRACING

ST4-2430GSK

SOME UNITS SHIP UNASSEMBLED FOR REDUCED SHIPPING COST. ALL DIMENSIONS ARE TYPICAL. TOLERANCE +/- .500"

John Boos & Co. is constantly engaged in a program of improving products and therefore reserves the right to change specifications without prior notice.

