



**John  
BOOS**  
Since 1887

ITEM #: \_\_\_\_\_ QTY: \_\_\_\_\_  
 MODEL #: \_\_\_\_\_  
 PROJECT NAME: \_\_\_\_\_

071917

**∴kitchensource.com**  
 ☎ 1.800.667.8721

**"ST4R5-GBK" STAINLESS STEEL TOP WORK TABLES**  
**14GA TOP W/ 5" RISER AND GALV LEGS AND ADJUSTABLE BRACING**



**FEATURES:**

- 14 GAUGE STAINLESS STEEL TOP W/ 5" RISER & TURNDOWN
- TYPE 300 STAINLESS STEEL WITH # 4 POLISH, SATIN FINISH
- TOP IS SOUND DEADENED
- REINFORCED WITH 1"X2" CHANNEL RUNNING ENTIRE LENGTH OF TABLE
- 1-1/2" STALLION EDGE ON FRONT SIDE EDGES  
90 DEGREE BEND DOWN FOR TABLE LINE-UP
- GALVANIZED BASE WITH ADJUSTABLE BRACING
- SHIPPED KNOCKED-DOWN, EASY-TO-ASSEMBLE
- NSF AND CSA CERTIFIED



ST4R5-3048GBK

**CONSTRUCTION:**

- TOP: STAINLESS STEEL TOPS ARE TIG WELDED,  
EXPOSED WELDS ARE POLISHED TO MATCH ADJACENT SURFACE.

**MATERIAL:**

- TOP: 14 GAUGE STAINLESS STEEL TYPE 300 STAINLESS STEEL  
WITH #4 POLISH, SATIN FINISH
- BRACING: 1-1/4" ROUND O.D. 18 GAUGE GALVANIZED STEEL
- LEGS: 1-5/8" ROUND O.D. 16 GAUGE TUBULAR GALVANIZED STEEL
- GUSSETS: GALVANIZED STEEL
- FEET: 1" ADJUSTABLE GALVANIZED BULLET FEET



ADJUSTABLE BRACING

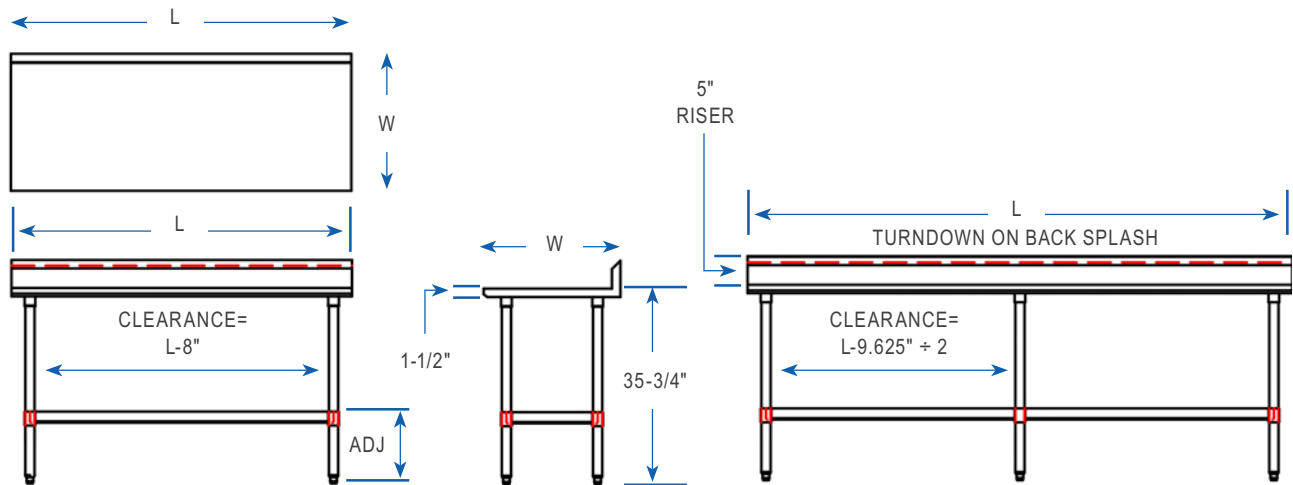
**14 GAUGE TOP W/ ADJUSTABLE BRACING**

24" WIDE	QTY	30" WIDE	QTY	36" WIDE	QTY
ST4R5-2424GBK		ST4R5-3024GBK		ST4R5-3624GBK	
ST4R5-2430GBK		ST4R5-3030GBK		ST4R5-3630GBK	
ST4R5-2436GBK		ST4R5-3036GBK		ST4R5-3636GBK	
ST4R5-2448GBK		ST4R5-3048GBK		ST4R5-3648GBK	
ST4R5-2460GBK		ST4R5-3060GBK		ST4R5-3660GBK	
ST4R5-2472GBK		ST4R5-3072GBK		ST4R5-3672GBK	
ST4R5-2484GBK		ST4R5-3084GBK		ST4R5-3684GBK	
ST4R5-2496GBK		ST4R5-3096GBK		ST4R5-3696GBK	
ST4R5-24108GBK		ST4R5-30108GBK		ST4R5-36108GBK	
ST4R5-24120GBK		ST4R5-30120GBK		ST4R5-36120GBK	
ST4R5-24132GBK		ST4R5-30132GBK		ST4R5-36132GBK	
ST4R5-24144GBK		ST4R5-30144GBK		ST4R5-36144GBK	

**OPTIONAL ACCESSORIES**

DESCRIPTION	MODEL #	QTY
DRAWER		
DRAWER LOCK		
CASTERS		
OVERSHELVES		
SINKS		
POT RACK		

# DETAILED SPECIFICATIONS



• UNITS 7 FT. AND LARGER ARE FURNISHED WITH SIX LEGS.

## 14 GAUGE TOP W/ ADJUSTABLE BRACING

LENGTH	24" WIDE	WT. (LBS)	30" WIDE	WT. (LBS)	36" WIDE	WT. (LBS)
24"	ST4R5-2424GBK	35	ST4R5-3024GBK	41	ST4R5-3624GBK	48
30"	ST4R5-2430GBK	49	ST4R5-3030GBK	55	ST4R5-3630GBK	59
36"	ST4R5-2436GBK	55	ST4R5-3036GBK	61	ST4R5-3636GBK	70
48"	ST4R5-2448GBK	66	ST4R5-3048GBK	74	ST4R5-3648GBK	84
60"	ST4R5-2460GBK	77	ST4R5-3060GBK	87	ST4R5-3660GBK	97
72"	ST4R5-2472GBK	89	ST4R5-3072GBK	99	ST4R5-3672GBK	112
84"	ST4R5-2484GBK	108	ST4R5-3084GBK	121	ST4R5-3684GBK	138
96"	ST4R5-2496GBK	119	ST4R5-3096GBK	134	ST4R5-3696GBK	153
108"	ST4R5-24108GBK	129	ST4R5-30108GBK	146	ST4R5-36108GBK	166
120"	ST4R5-24120GBK	141	ST4R5-30120GBK	159	ST4R5-36120GBK	180
132"	ST4R5-24132GBK	152	ST4R5-30132GBK	171	ST4R5-36132GBK	195
144"	ST4R5-24144GBK	164	ST4R5-30144GBK	185	ST4R5-36144GBK	211

## MODEL # STRUCTURE

24 = WIDTH OF WORK SURFACE  
 5 = HT. OF RISER W/ TURNDOWN  
 R = RISER TOP WORK TABLE  
 4 = 14GA WORK SURFACE  
 ST = STAINLESS STEEL TOP

30 = LENGTH OF WORK SURFACE  
 GB = GALVANIZED LEGS & BRACING  
 K = K.D. W/ ADJUSTABLE BRACING

**ST4R5-2430GBK**

SOME UNITS SHIP UNASSEMBLED FOR REDUCED SHIPPING COST. ALL DIMENSIONS ARE TYPICAL. TOLERANCE +/- .500"

John Boos & Co. is constantly engaged in a program of improving products and therefore reserves the right to change specifications without prior notice.

