



**John  
BOOS**  
Since 1887

ITEM #: \_\_\_\_\_ QTY: \_\_\_\_\_  
 MODEL #: \_\_\_\_\_  
 PROJECT NAME: \_\_\_\_\_

071917

**∴kitchensource.com**  
 ☎ 1.800.667.8721

## **"ST4R5-SSK" STAINLESS STEEL TOP WORK TABLES**

**14GA TOP W/ 5" RISER AND STAINLESS STEEL LEGS  
 AND ADJUSTABLE UNDERSHELF**



### **FEATURES:**

- 14 GAUGE STAINLESS STEEL TOP W/ 5" RISER & TURNDOWN
- TYPE 300 STAINLESS STEEL WITH # 4 POLISH, SATIN FINISH
- TOP IS SOUND DEADENED
- REINFORCED WITH 1"X2" CHANNEL RUNNING ENTIRE LENGTH OF TABLE
- 1-1/2" STALLION EDGE ON FRONT SIDE EDGES  
90 DEGREE BEND DOWN FOR TABLE LINE-UP
- STAINLESS STEEL BASE WITH ADJUSTABLE UNDERSHELF
- ADJUSTABLE BULLET FEET
- SHIPPED KNOCKED-DOWN, EASY-TO-ASSEMBLE
- NSF AND CSA CERTIFIED



ST4R5-3048SSK

### **CONSTRUCTION:**

- TOP: STAINLESS STEEL TOPS ARE TIG WELDED,  
EXPOSED WELDS ARE POLISHED TO MATCH ADJACENT SURFACE.

### **MATERIAL:**

- TOP: 14 GAUGE STAINLESS STEEL TYPE 300 STAINLESS STEEL  
WITH # 4 POLISH, SATIN FINISH
- SHELF: 18 GAUGE STAINLESS STEEL,  
(36" WIDE TABLES, 16 GAUGE LOWER SHELF)
- LEGS: 1-5/8" ROUND O.D. 16 GAUGE TUBULAR STAINLESS STEEL
- GUSSETS: STAINLESS STEEL
- FEET: 1" ADJUSTABLE STAINLESS BULLET FEET



ADJUSTABLE SHELF

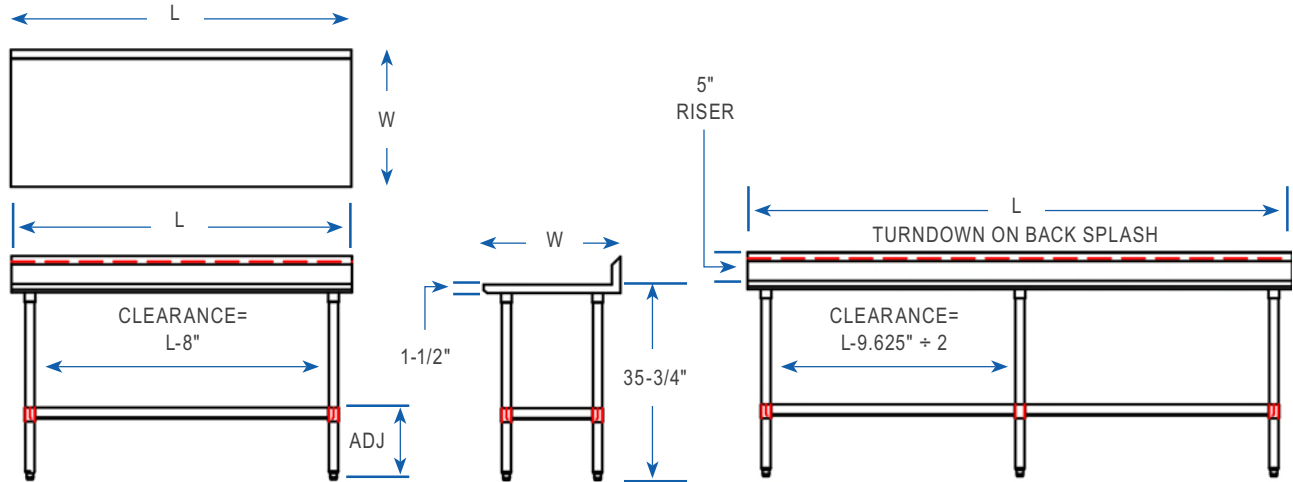
### **14 GAUGE TOP W/ ADJUSTABLE SHELF**

24" WIDE	QTY	30" WIDE	QTY	36" WIDE	QTY
ST4R5-2424SSK		ST4R5-3024SSK		ST4R5-3624SSK	
ST4R5-2430SSK		ST4R5-3030SSK		ST4R5-3630SSK	
ST4R5-2436SSK		ST4R5-3036SSK		ST4R5-3636SSK	
ST4R5-2448SSK		ST4R5-3048SSK		ST4R5-3648SSK	
ST4R5-2460SSK		ST4R5-3060SSK		ST4R5-3660SSK	
ST4R5-2472SSK		ST4R5-3072SSK		ST4R5-3672SSK	
ST4R5-2484SSK		ST4R5-3084SSK		ST4R5-3684SSK	
ST4R5-2496SSK		ST4R5-3096SSK		ST4R5-3696SSK	
ST4R5-24108SSK		ST4R5-30108SSK		ST4R5-36108SSK	
ST4R5-24120SSK		ST4R5-30120SSK		ST4R5-36120SSK	
ST4R5-24132SSK		ST4R5-30132SSK		ST4R5-36132SSK	
ST4R5-24144SSK		ST4R5-30144SSK		ST4R5-36144SSK	

### **OPTIONAL ACCESSORIES**

DESCRIPTION	MODEL #	QTY
DRAWER		
DRAWER LOCK		
CASTERS		
OVERSHELVES		
SINKS		
POT RACK		

# DETAILED SPECIFICATIONS



- UNITS 7 FT. AND LARGER ARE FURNISHED WITH SIX LEGS.
- FINISHED SIZE OF UNDERSHELF.  
 SHELF LENGTH = LENGTH MINUS 4.875"  
 SHELF WIDTH = WIDTH MINUS 4.25

## 14 GAUGE TOP W/ ADJUSTABLE UNDERSHELF

LENGTH	24" WIDE	WT. (LBS)	30" WIDE	WT. (LBS)	36" WIDE	WT. (LBS)
24"	ST4R5-2424SSK	48	ST4R5-3024SSK	54	ST4R5-3624SSK	63
30"	ST4R5-2430SSK	54	ST4R5-3030SSK	61	ST4R5-3630SSK	75
36"	ST4R5-2436SSK	61	ST4R5-3036SSK	69	ST4R5-3636SSK	84
48"	ST4R5-2448SSK	75	ST4R5-3048SSK	86	ST4R5-3648SSK	104
60"	ST4R5-2460SSK	89	ST4R5-3060SSK	103	ST4R5-3660SSK	124
72"	ST4R5-2472SSK	104	ST4R5-3072SSK	119	ST4R5-3672SSK	145
84"	ST4R5-2484SSK	125	ST4R5-3084SSK	143	ST4R5-3684SSK	176
96"	ST4R5-2496SSK	139	ST4R5-3096SSK	160	ST4R5-3696SSK	197
108"	ST4R5-24108SSK	153	ST4R5-30108SSK	176	ST4R5-36108SSK	217
120"	ST4R5-24120SSK	166	ST4R5-30120SSK	193	ST4R5-36120SSK	238
132"	ST4R5-24132SSK	180	ST4R5-30132SSK	209	ST4R5-36132SSK	258
144"	ST4R5-24144SSK	194	ST4R5-30144SSK	226	ST4R5-36144SSK	278

## MODEL # STRUCTURE

24 = WIDTH OF WORK SURFACE  
 5 = HT. OF RISER W/ TURNDOWN  
 R = RISER TOP WORK TABLE  
 4 = 14GA WORK SURFACE  
 ST = STAINLESS STEEL TOP

30 = LENGTH OF WORK SURFACE  
 SS = STAINLESS LEGS & SHELF  
 K = K.D. W/ ADJUSTABLE BRACING

# ST4R5-2430SSK

SOME UNITS SHIP UNASSEMBLED FOR REDUCED SHIPPING COST. ALL DIMENSIONS ARE TYPICAL. TOLERANCE +/- .500"

John Boos & Co. is constantly engaged in a program of improving products and therefore reserves the right to change specifications without prior notice.

