



## Features

- Cabinet size 30 inch.
- Single large bowl.
- 9-5/6" (250 mm) depth provides generous workspace.
- No faucet holes.
- **Self-Trimming apron** overlaps the cabinet face for easy seamless installation.
- Rounded 10mm corners are easy to clean.
- Bottom of sink has 4 small channels to improve drainage.
- Rear drain increases workspace in the sink and cabinet storage space.
- Sound-absorption technology offers quieter performance.
- Includes strainer, bottom grid rack and cutting board.
- Cutting Board made of HPL - the most durable and easy to clean cutting board.

## Material

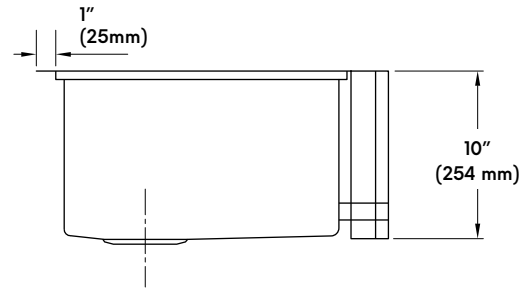
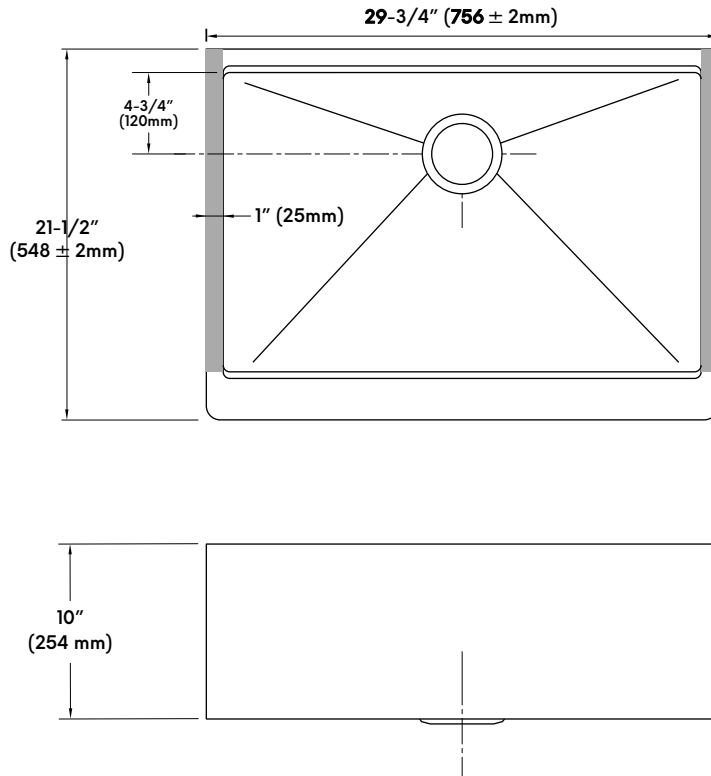
- Handcrafted from premium quality 304 16-gauge stainless steel.

## Installation

- Apron-front / farmhouse.



## TOP VIEW



## Technical Information

All product dimensions are nominal.

Bowl configuration:	Single
Installation:	Under-mount
base cabinet width:	30"
Drain hole:	3-1/2"

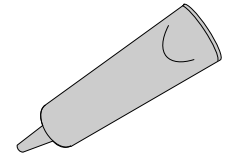
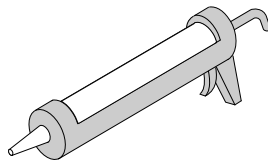
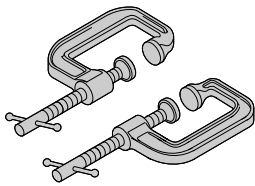
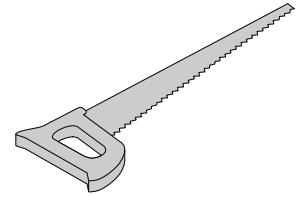
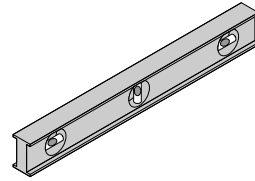
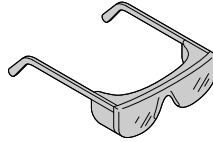
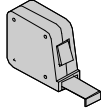
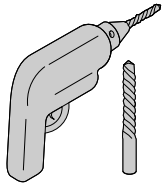
## Notes

Install this product according to the installation instructions.

The 1" (25 mm) side rim flanges (see top view in gray) are supported by cabinet side panel. See the installation guide for further instructions.

The 1" back/rear flange needs to be supported by either a wood bar - to be installed by the installer (shown in this installation guide), or by clips to be provided by the countertop supplier

## Tools and Materials



Construction  
Adhesive

Painter's  
Tape

Silicone  
Sealant

### Plus:

- Suitable support framing material [3/4" (19 mm)] max thickness
- Screws

## Before You Begin

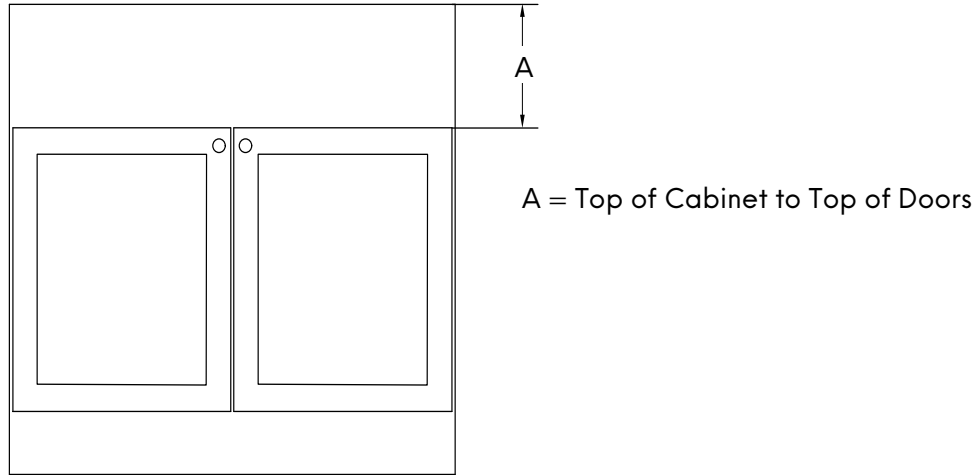
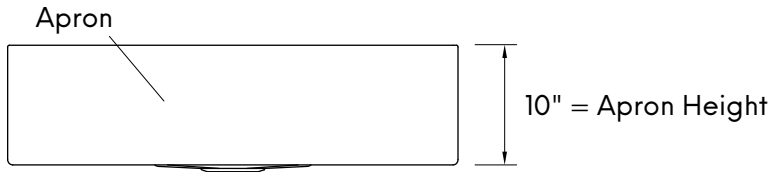
**IMPORTANT!** Sink is design to fit on top of the cabinet side panels. The thickness of the sink rim is 1/16" and it will not interfere with the countertop installation.

**IMPORTANT!** Refer to the "Roughing-In" section for cabinet dimensional requirements.

**IMPORTANT!** This sink must be installed prior to the installation of the countertop. Cut-line is based from the front face of the cabinet.

**IMPORTANT!** Long screws may damage adjacent cabinets. Ensure the screws are long enough to secure the support blocks, but short enough not to extend through the walls of adjacent cabinets.

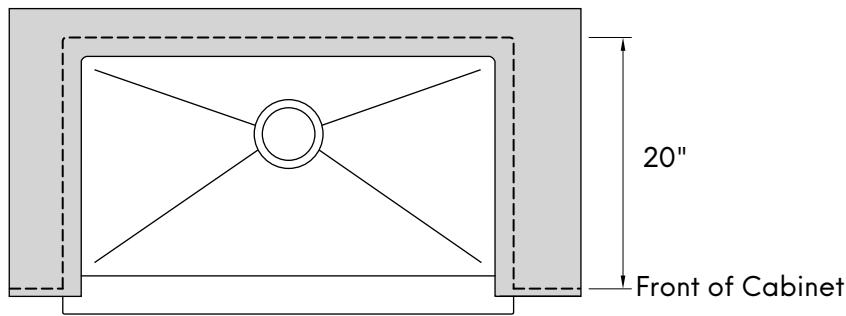
- Due to the nature of Apron-front installations, Empire recommends that the sink installations be performed by trained and experienced installers.
- Observe all local plumbing and building codes.

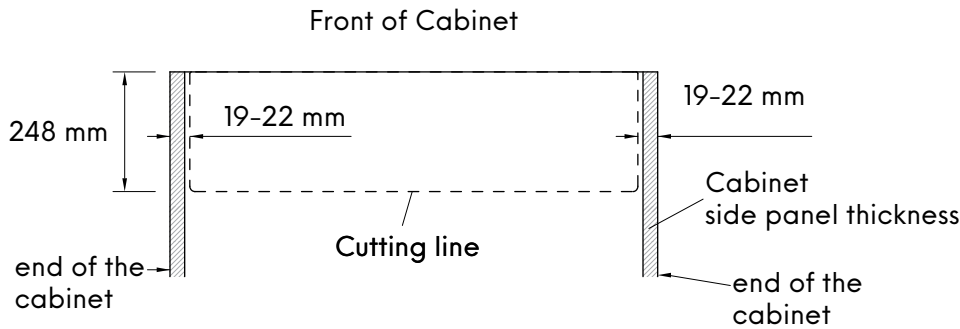


1

**IMPORTANT!** Before installing this sink, verify measurement (A) is greater than 10 1/8"

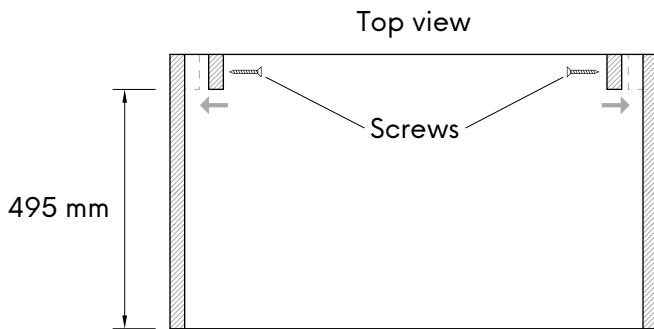
Ensure clearance for  
faucet installation.





## 2

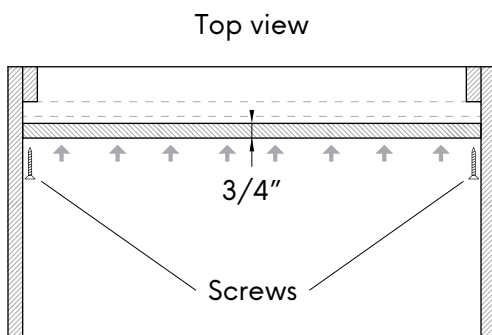
Mark a cutting line 19-22 mm from the end of the cabinet (depending on the cabinet side panel thickness) and 248 mm = 9.75" from the top of the cabinet. Put painter tape along this line and cut it out



## 3

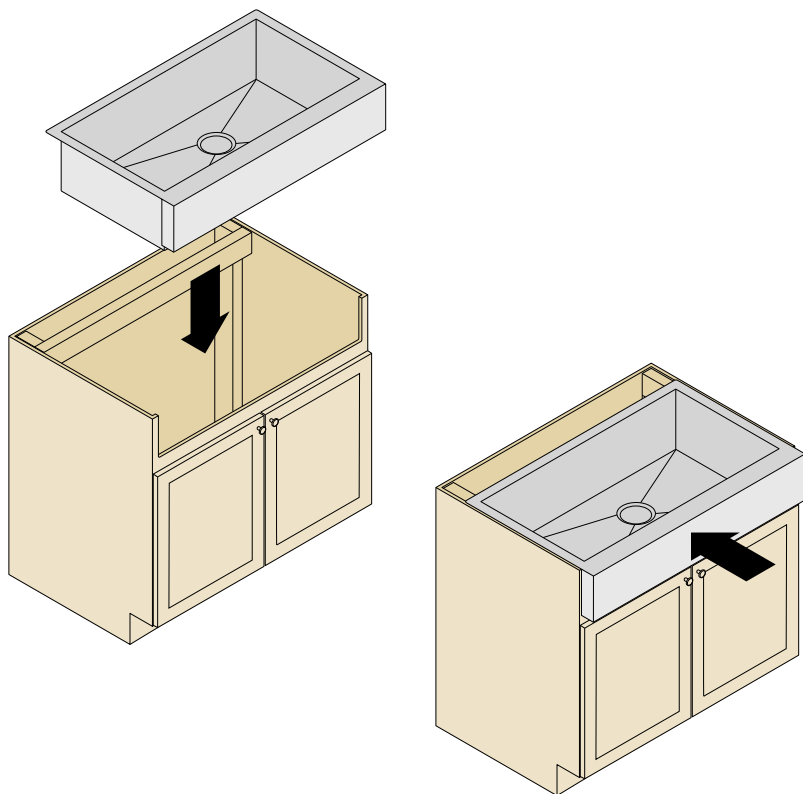
Mark a line 495 mm (19.5") from the front of the cabinet and install 3"x3" blocks on each side. Make sure that the blocks line up with the top of the side panel. Please use glue and clamps before screwing them to the side panel.

**IMPORTANT!** Long screws may damage adjacent cabinets. Ensure the screws are long enough to secure the support blocks, but short enough not to extend through the walls of adjacent cabinets.



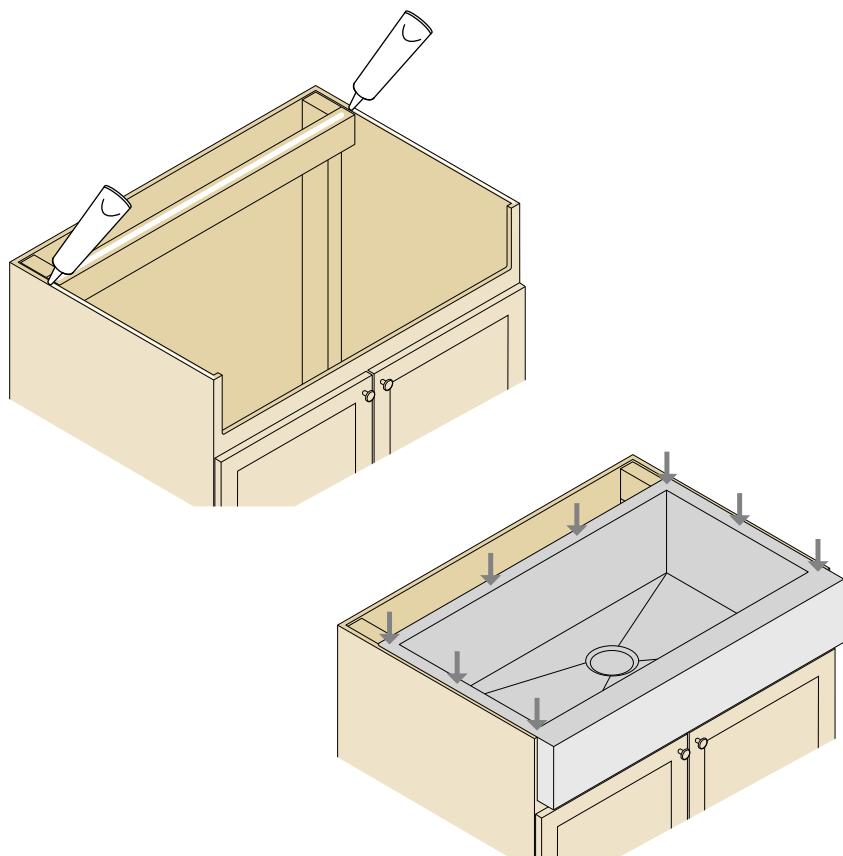
## 4

Cut a 3/4" lumber the full width (size) of the inside of the cabinet and connect to the blocks with screws. Make sure that the top of the bar lines up with the top of the side panel



# 5

Lay the sink over the side panels of the cabinet and push the sink in until the apron touches the cabinet and the back ledge is resting on #4. Make sure its fit and level before you apply the silicon.



# 6

Apply a bead of silicone sealant on top of the side panels and back support. Than lay the sink on and press down make sure that it is level. If needed shim it with thin wood. Wipe any excess of silicon. And you're done!