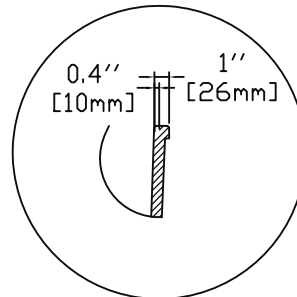
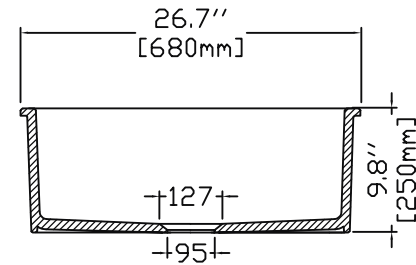
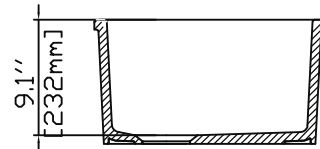
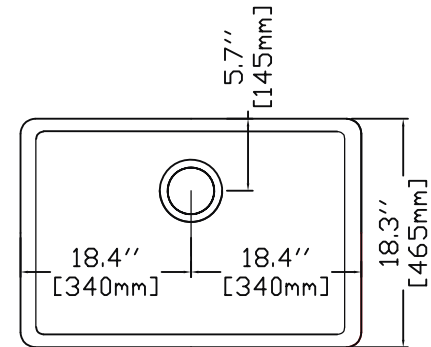
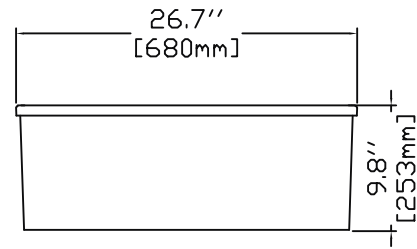


27" UNDERMOUNT

TECHNICAL DRAWING



SIZE :27x18,6 inc
680x465 mm

DESCRIPTION :YORKSHIRE UNDERMOUNT

TOLERANCE : 100 mm \pm 1 %