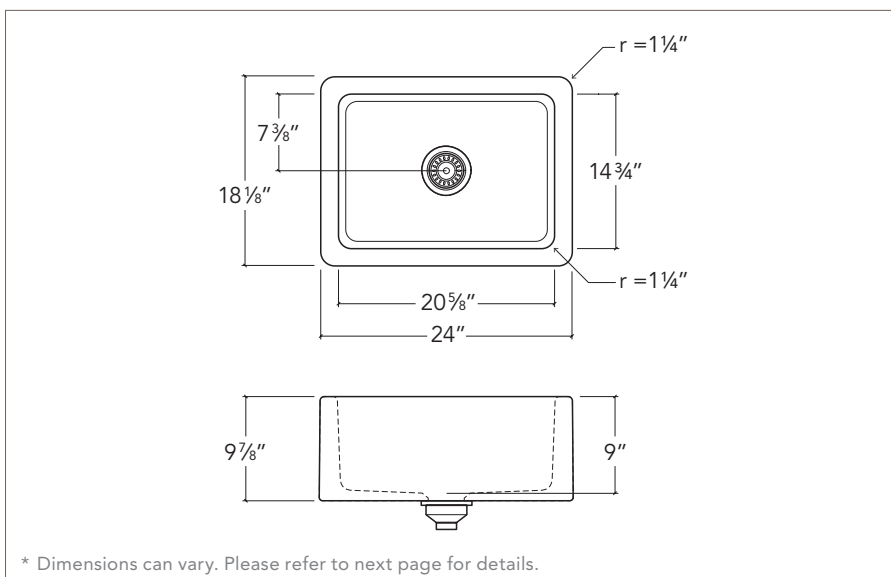
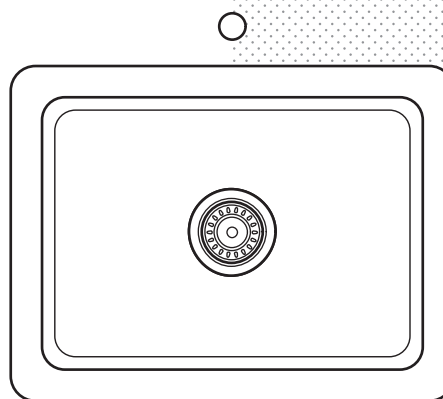


PRO TERRA

M125-F

Fireclay kitchen sink
With rounded corners [1,25"]



TM125-FS-241810

Installation
Farmhouse

Bowl*
20⁵/₈" X 14³/₄" X 9"

Overall*
24" X 18¹/₈" X 9⁷/₈"

Cabinet
27"

Drain
Ø 3¹/₂"

Packaging
29" x 25³/₈" x 15¹/₂"
66 lb

Features

- Fine fireclay, enameled glossy white finish
- Resistant to scratches and chips thanks to the fusion of glaze and fireclay
- Non-porous finish, hygienic and easy to clean
- Flat apron finished on all four sides
- Centered drain position
- Waste disposal unit compatible
- Satin stainless steel strainer included (TM-SA-3.5-SA)
- Product certified ASME A112.19.2-2013 and CSA B45.1-13

Warranty

Prochef offers a FIVE (5) YEAR LIMITED WARRANTY on the fixed components of its fireclay sinks, ensuring them against defect of material and workmanship and against fading/staining. This warranty is limited to defects or damages resulting from a normal residential use. For further details on our product warranty, please refer to our catalog or Website.

Accessories (optional)

Grid
TM-G-2014

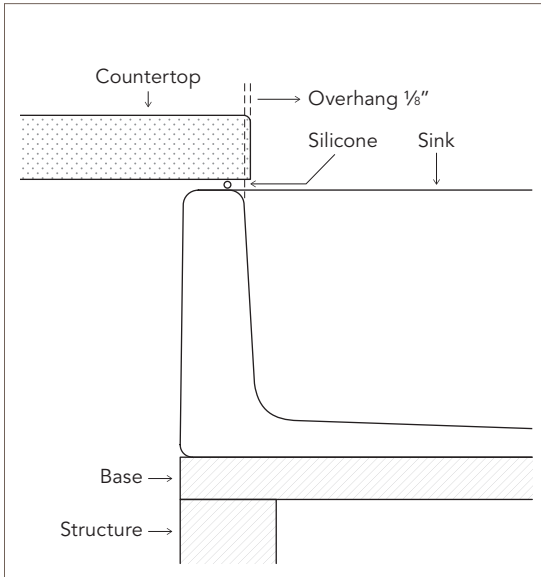
PROTERRA M125-F



Farmhouse installation

A. Undermount

Countertop made of granite, quartz, Corian, marble or other stone surface



Maintenance

Follow one simple rule to keep your sink in good condition:
Clean it regularly.

Daily

Clean the sink with a sponge or a soft cloth.

Use a mild soap (dish soap) or an all-purpose, non-abrasive liquid cleanser.

Always rinse with warm water and wipe with a dry cloth.

Use a bottom grid to protect the finish of the ceramic.

Precautions

Do not scrub the sink with steel wool or scouring pads.

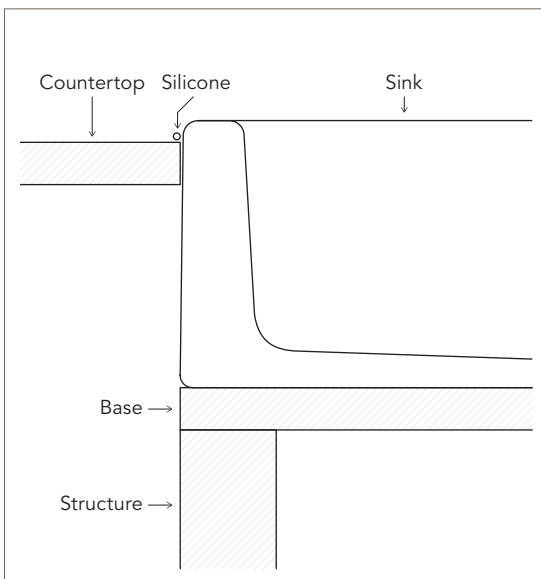
Do not use abrasive cleansers.

For tough stains, use a cream bathroom cleanser, rinse with water and wipe with a dry cloth.

Do not place a rubber mat on the bottom of your sink. Food, water, and cleaning products can cling to it and create stains.

B. Exposed rim

Countertop made of laminate, wood, ceramic tile, granite, quartz, Corian, marble or other stone surface.



IMPORTANT

Due to manufacturing process of fireclay sinks, dimensions can vary $\pm 3/16$ " (5 mm). We recommend that your kitchen fitter cuts countertop only after having measured sink. Make sure structure can support weight of sink full of water.