

## KBG-101-13

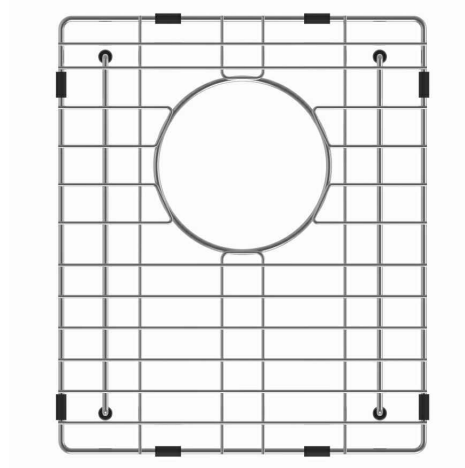
### Stainless Steel Kitchen Sink Bottom Grid

#### Grid Dimensions

Overall Dimensions: 10 5/8" x 12 5/8" x 7/8"

#### Features

- Commercial grade stainless steel construction
- For Use with the KHU101-13 kitchen sink
- Protects bottom of sink from daily wear and tear
- Rubber feet provide additional protection



#### Warranty

Kraus One Year Limited Warranty

