

KHU100-30

30 Inch Undermount Single Bowl
Stainless Steel Kitchen Sink

Sink Dimensions

Overall Dimensions: 30" x 18"
Bowl Dimensions: 28" x 16"
Sink Depth: 10"

Features

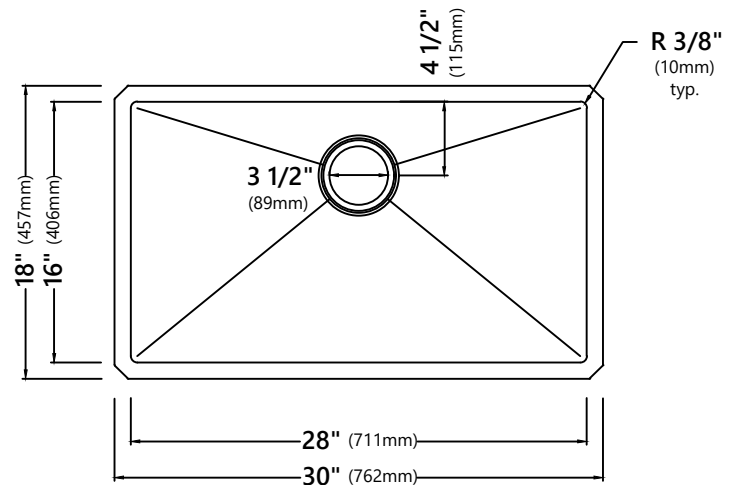
- 16 Gauge Stainless Steel Construction
- Single Bowl Undermount Handmade Sink
- Required Minimum Cabinet Size: 33" Left to Right, 24" Front to Back
- Rear Center-Set Drain
- 3 1/2" Drain Opening
- NoiseDefend Undercoating and Sound Dampening Pads

Accessories Included

- Basket Strainer BST-1
- Bottom Grid KBG-100-30
- Cut-Out Template
- Mounting Hardware
- Towel

CODES/STANDARDS:

Product Certification
cUPC (ASME A112.19.3/CSA B45.4)



Warranty

Kraus Limited Lifetime Warranty
see website for details www.kraususa.com