

# KWF210-30

30 Inch Farmhouse Workstation Single Bowl  
Stainless Steel Kitchen Sink

### Sink Dimensions

Overall Dimensions: 29 7/8" x 20 1/4"  
Bowl Dimensions: 28" x 16"  
Sink Depth: 10"

### Features

- 16 Gauge Stainless Steel Construction
- Farmhouse Single Bowl Sink
- Required Minimum Cabinet Size: 33" Left to Right, 24" Front to Back
- Rear Off-Set Drain
- 3 1/2" Drain Opening
- NoiseDefend Undercoating and Sound Dampening Pads

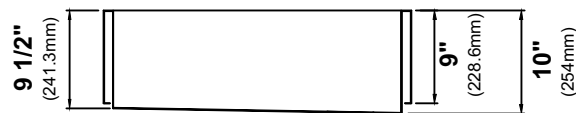
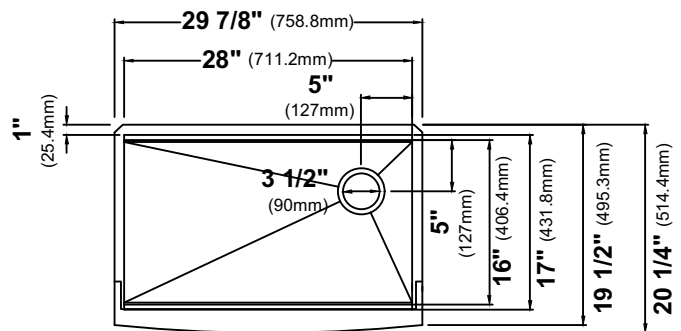
### Accessories Included

- Strainer ST-1
- Cover Cap STC-2
- Bottom Grid KBG-UN1-30
- Rolling Mat KRM-11BL
- Cutting Board KCB-WS103BB
- Cut-Out Template
- Mounting Hardware

### CODES/STANDARDS:

#### Product Certification

cUPC (ASME A112.19.3/CSA B45.4)



**NOTE:** It is not recommended to install this sink with a negative reveal. Doing so will prohibit the use of any workstation accessories as they will not fit.

### Warranty

Kraus Limited Lifetime Warranty

# KBG-UN1-30

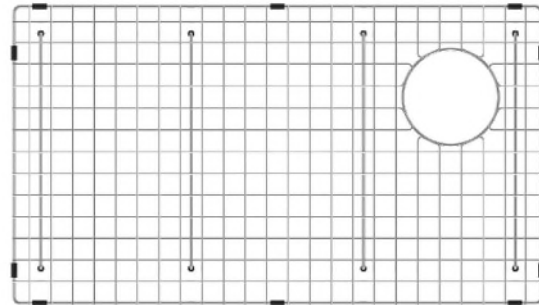
## Stainless Steel Kitchen Sink Bottom Grid

### Grid Dimensions

Overall Dimensions: 27 5/8" x 15 5/8" x 1"

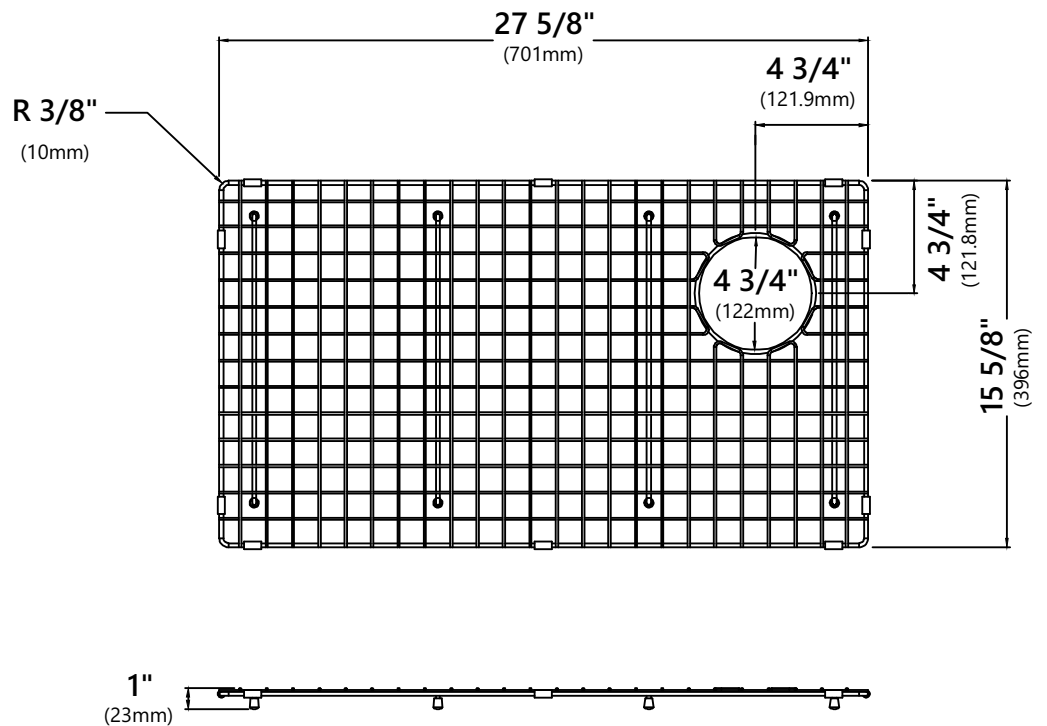
### Features

- Commercial grade stainless steel construction
- Fits in bowl of KWU110-30, KWT310-30 and KWF410-30 kitchen sinks
- Protects bottom of sink from daily wear and tear
- Rubber feet provide additional protection



### Warranty

Kraus Limited Lifetime Warranty



# ST-1

## Stainless Steel Kitchen Sink Strainer

### Strainer Dimensions

Overall Dimensions:  $\phi 4 \frac{1}{2}$ " x  $3 \frac{3}{4}$ "

### Features

- Premium Stainless Steel construction
- Fits Standard  $3 \frac{1}{2}$ " or 4" Drain Opening
- Open/Close Stopper Prevents Debris from Clogging Drain Pipe

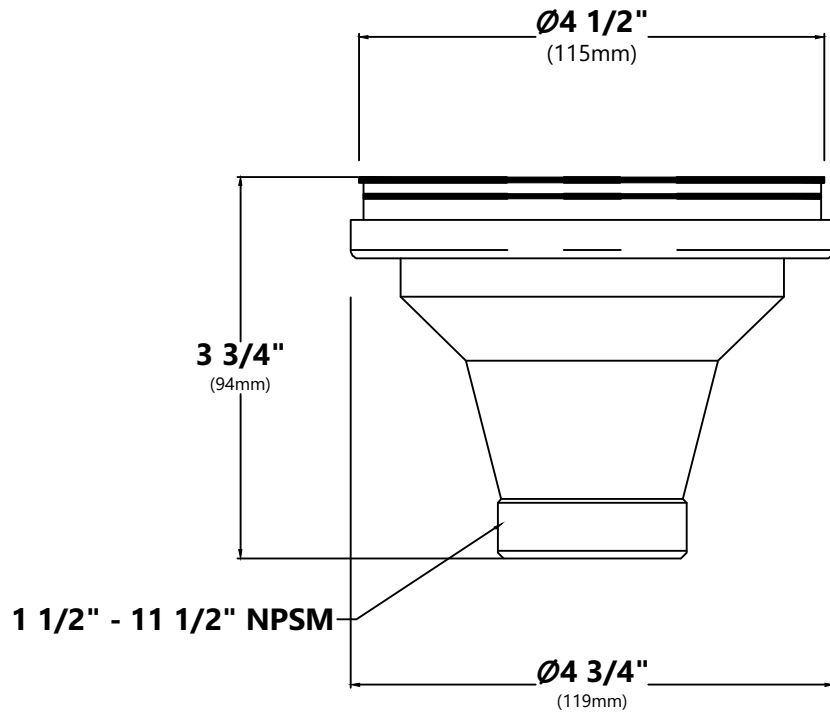
### Available Finishes

- Stainless Steel



### Warranty

Kraus 1 Year Limited Warranty



## STC-2 Removable Decorative Drain Cover

### Drain Cap Dimensions

Overall Dimensions:  $\varnothing 4\ 1/2"$  x  $5/8"$

### Features

- Premium Stainless Steel Construction
- Fits Standard  $3\ 1/2"$  Drain Opening
- Allows Water to Drain Easily When Installed
- Conceals Garbage Disposal and Waste Fittings for a Seamless Look
- Compatible with Standart Pro™, Pax™, Kore™, Outlast Microshield™ and Premier™ Kitchen sinks

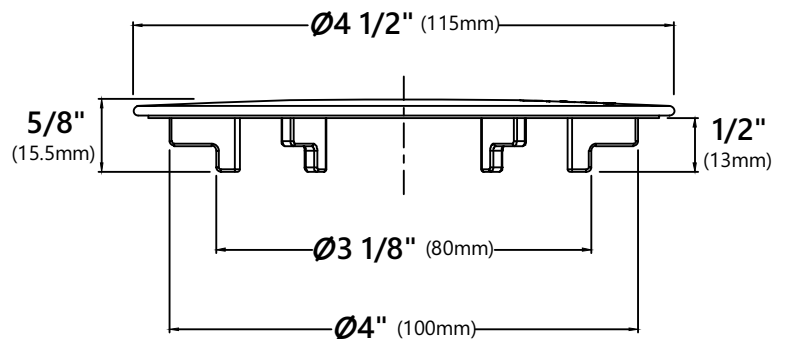
### Available Finishes

- Stainless Steel
- PVD Gunmetal



### Warranty

Kraus 1 Year Limited Warranty



# KCB-WS103

## Cutting Board

### Cutting Board Dimensions

Overall Dimensions: 16 3/4" x 12" x 3/4"

### Features

- Designed to Use Over the Sink and On the Counter
- Outer Groove Traps Liquids to Prevent Messy Counter
- BPA-free and FDA-approved

### Available Finishes

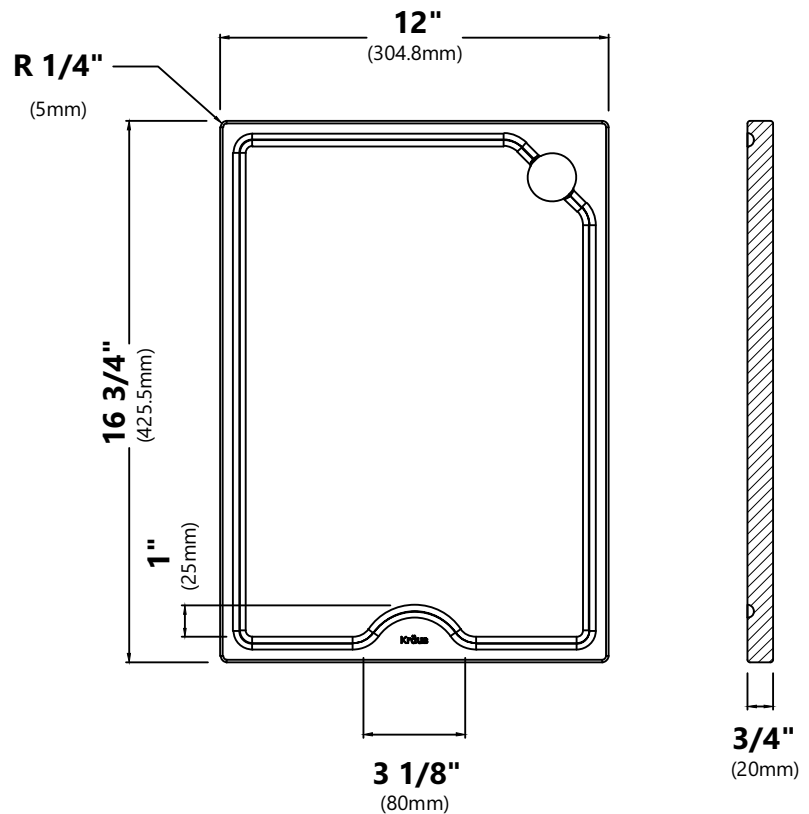
- Bamboo
- Acacia
- Sapele



**NOTE:** Each piece may feature unique color variations

### Warranty

Kraus One Year Limited Warranty



# KRM-11

## Multipurpose Roll-Up Dish Drying Rack

### Rolling Mat Dimensions

Overall Dimensions: 16 7/8" x 12" x 3/8"

### Features

- Roll-up over-the-sink drying rack
- Stainless steel construction with non-slip silicone coating
- Rolls up into a compact cylinder for storage
- Dishwasher safe
- Heat-safe up to 400° F
- Holds up to 85 lbs
- BPA-free and FDA-approved
- For Use with KFR4-33, KGF1-30, KGF1-33, KGF2-30, KGF2-33, KWF210-30, KWF210-33, KWF210-36, KWF410-30, KWF410-33, KWF410-36, KWT310-30, KWT310-33, KWT311-25, KWU110-27, KWU110-30, KWU110-32, KWU111-17, KWU111-23, KWU112-33, KWU120-45 and KWU210-57 kitchen sinks

### Available Colors

- Black
- Brown
- Dark Blue
- Dark Grey
- Light Grey
- Aqua
- Green
- Red
- Yellow

### Warranty

Kraus One Year Limited Warranty

