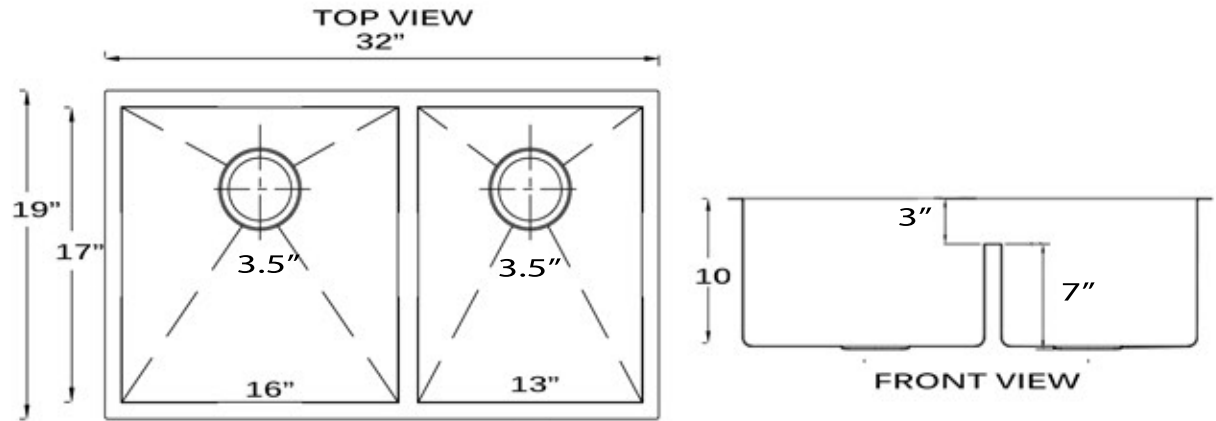




**Nantucket**  
S I N K S

**Pro Series Collection**  
Premium Stainless Steel  
Small Radius Pro Undermount Kitchen Sink

MODEL: SR3219-OS-16



Overall Dimensions	Large Bowl	Small Bowl	Divider Height	Bowl Depth
32" x 19"	16" x 17"	13" x 17"	7"	10"

**FEATURES**

- Premium 304, 16 Gauge Stainless Steel Kitchen Sink
- Bottom Grids and Drains Included
- Brushed Satin Finish
- Limited Lifetime Manufactures Warranty
- Insulated to Reduce Condensation
- Rubber Padding is Applied for Noise Reduction

Project Name: \_\_\_\_\_

Architect / Contractor: \_\_\_\_\_

Job Notes: \_\_\_\_\_

\_\_\_\_\_

\_\_\_\_\_