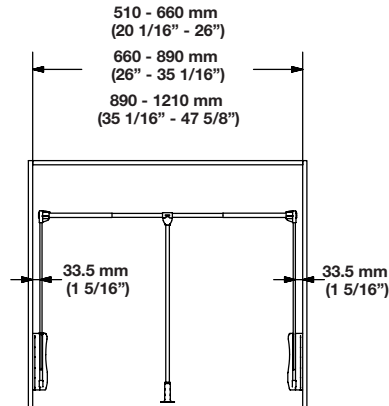


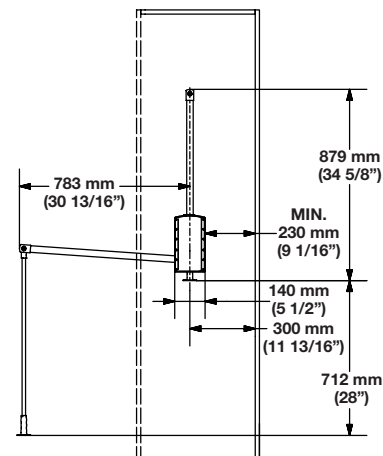
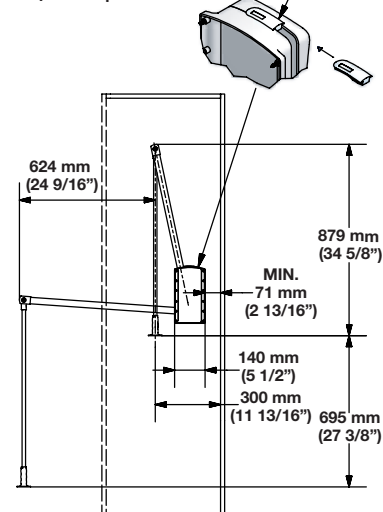
Wardrobe Accessories

Wardrobe Lift

- Adjustable width
- Optional poles are available for higher installation (shown in photo)
- Ergonomic handle
- Reinforced T-bracket
- Bumpers attached to add protection to the housing when lowering the clothes bar
- Spacers included to provide optional distance between the back wall and the hangers



*Shown with optional spacer attached



Wardrobe Lift

- For attachment to closet sides with screws

Weight capacity: **12 kg (26 lbs)**

Height: 839 mm (33 1/16")

Wardrobe tubes: 22 mm diameters, with adjustment feature for different widths of closets

Material: Arms and pole: steel

Plated housing: plastic

For inside Closet widths	chrome-plated/ black	black powder-coated/ black	matt nickel-plated/ black
510 mm - 660 mm (20 1/16" - 26")	805.31.201	805.31.301	805.31.601
660 mm - 890 mm (26" - 35 1/16")	805.31.202	805.31.302	805.31.602
890 mm - 1210 mm (35 1/16" - 47 5/8")	805.31.203	805.31.303	805.31.603

Wardrobe Lift

- For attachment to closet sides with screws

Weight capacity: **15 kg (33 lbs)**

Height: 839 mm (33 1/16")

Wardrobe tubes: 22 mm diameters, with adjustments feature for different widths of closets

Material: Arms and pole: steel

Housing: plastic

For inside Closet widths	chrome-plated/ black	black powder-coated/ black	matt nickel-plated/ black
890 mm - 1210 mm (35 1/16" - 47 5/8")	805.31.223	805.31.323	805.31.623

Steel Rod, for optional pole length of the 805.31.xxx wardrobe lifts

- Poles can replace the handle pole for the wardrobe lifts
- Two screw holes provided, one at each end for attachment to the clothes bar connector and the handle
- Pole can be cut to size but hole must be redrilled for either the clothes bar connector or the handle

Diameter: 16 mm (5/8")

Material: steel

Pole length	chrome-plated	black powder coated/ black	matt nickel-plated/ black
1800 mm (70 7/8")	805.31.295	805.31.395	805.31.695
1524 mm (60")	805.31.296	805.31.396	805.31.696
1219 mm (48")	805.31.297	805.31.397	805.31.697

Dimensional data not binding. We reserve the right to alter specifications without notice.