

Bed-lift, Complete System for Queen-size

HÄFELE

at

cabinet :: accessories
U N L I M I T E D

The dimensions listed are internal cabinet dimensions. The cabinet and bed box constructions require a wood thickness of 19 - 25 mm.



Bed dimensions 2032 x 1524 mm (80" x60") inset, adjustable front

- Sturdy, torsion-free, tubular steel frame, brown lacquer
- Integral automatic foot folding mechanism (i.e. the feet extend automatically when the bed is opened out for use and vice versa).
- Choice of toekick panel height from 75–95 mm.
- Laminated wooden slats, with elm finish,
- Mounted in articulated plastic seats, as mattress base.
- Concealed gas-filled struts.

Accessories: 3 bedding straps, safety brackets

The gas filled pistons are designed to accompany a 19 mm (3/4") particle board front with a weight of approximately 100 lbs. and a mattress weighing up to 30 lbs. **The bed-lift will not operate properly unless these two ratings are adhered to.**

- Bed must be secured against tipping. Additional safety brackets on page **1136**.
- See mattress on page **1136**.

Queen-size with slatted mattress frame, for inset front

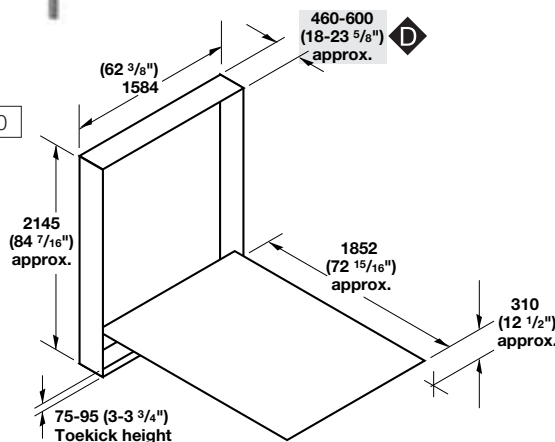
Finish: steel, brown lacquer Slats: wood, elm

Cat. No. 271.92.130

Packing: 1 set, includes mounting instructions

Inside Cabinet Measurements:

2145 mm vertical height 84⁷/₁₆"
460+ mm depth 18"
1584 mm width 62³/₈"



C *If used with our Häfele mattress 271.65.610 we recommend a minimum inside depth of 460 mm (18").

Organizational Products for Kitchen, Bath, Closet and Home Entertainment

Bed-lift installation has never been so easy and safe. Häfele's bed-lift system comes complete with pre-mounted fittings and can be installed in 4 easy steps.



1. Mark drilling position on both panels with the aid of the included drilling pattern.



2. Drill 7 holes in each side panel.



3. Fasten the two support brackets with the screws provided.



4. Slide bed frame onto support brackets, tighten screws, and attach the front panel.

Now with quick installation...after the cabinet is built, it's a simple 4-step process to install the bed frame.