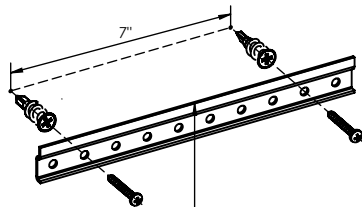
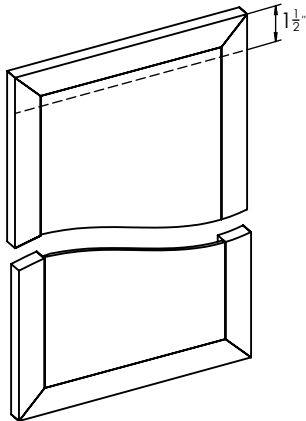


**STEP 1:** HOLD MIRROR AT DESIRED HEIGHT & MARK 1 1/2" DOWN FROM TOP

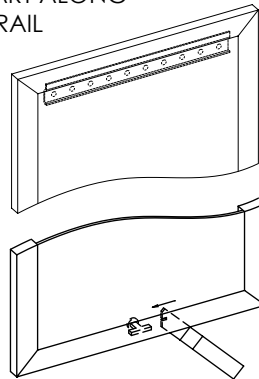


**STEP 2:** INSTALL TWO LARGE ANCHORS 7" APART ALONG MARK & MOUNT RAIL

46 <sup>7</sup>/<sub>16</sub>" (FROM TOP OF WALL RAIL)



**STEP 3:** PRE-DRILL HOLE, INSERT ANCHOR AND SCREW IN T-BOLT



**STEP 5:** USE CURVED TOOL TO ROTATE T-BOLT BEHIND MIRROR UNTIL IT CONTACTS INSIDE FRAME

**STEP 4:** HANG MIRROR TOP ON RAIL, LOWER BOTTOM OVER T-BOLT

