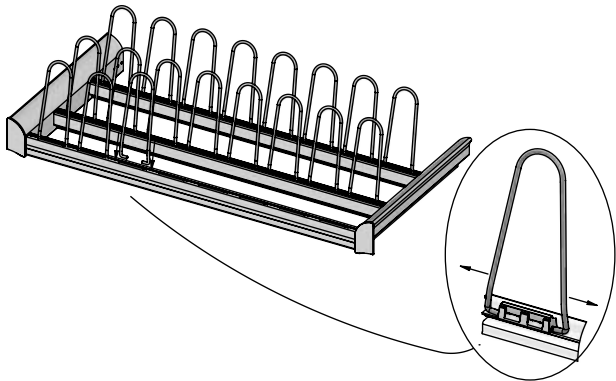
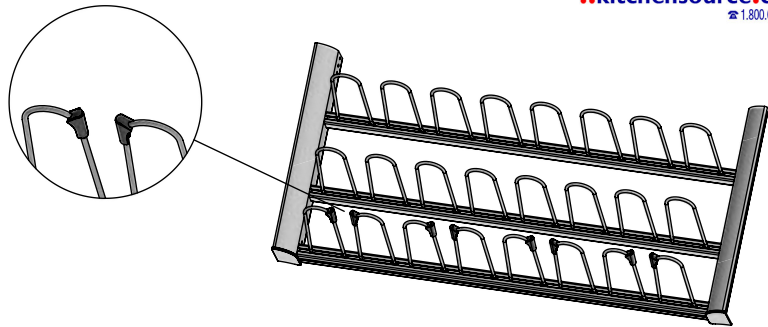


ENGAGE SHOE  
ORGANIZER



**STEP 1:** SPREAD SHOE HOLDERS AND INSERT THE ENDS INTO BOTH SIDES OF THE CLIPS LOCATED INSIDE THE CROSS-BARS. ENSURE HOLDERS ARE ANGLED TOWARDS THE REAR OF THE FRAME.



**STEP 2:** SANDAL CLIPS CAN BE ADDED BY SNAPPING THEM ONTO THE SHOE HOLDERS.