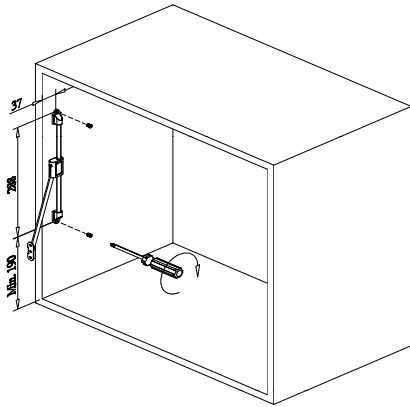
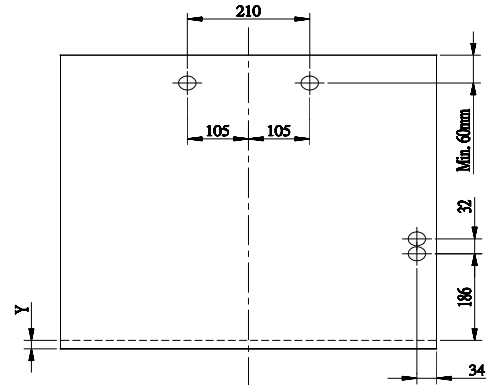


INSTALLATION INSTRUCTIONS for Slanted Hamper

Step 1: Install Flap Stay on side of cabinet.



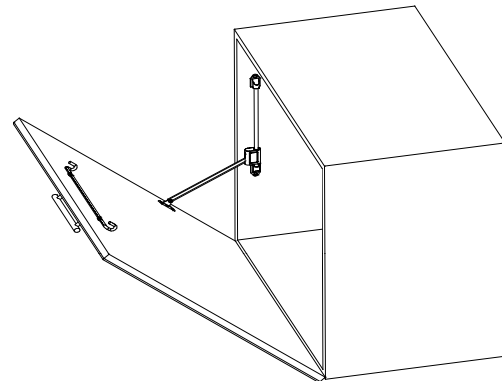
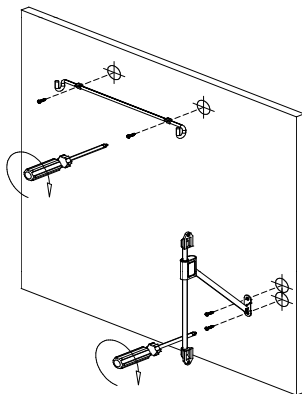
Step 2: Find the screw hole for hamper bracket by central line of door panel
(Door Panel)



(Central Line)

Y=The thickness of carcass panel

Step 3: Screw door bracket and flap stay on door panel



Finished

