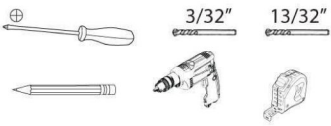


TOOLS REQUIRED:



ESTIMATED ASSEMBLY TIME:

15 MIN

CARE AND MAINTENANCE:

CLEAN WITH A DAMP CLOTH AND WIPE PARTS DRY

PARTS LIST:

SHELF(S), SLIDE(S), MOUNTING TEMPLATE, SHELF SAFETY RING, RUBBER STOPPERS, PIVOTING GUIDE.

1) Use the installation template to locate the bottom track to the floor of the cabinet. (Note: If installing in a face frame application, the floor must be flush with the top of the face frame). (Fig 1)
Use rubber bumpers to adjust fully open position. (Fig 3)

2) Attach the arm supports to the wall of the cabinet using the template provided. (Note: If installing in a face frame application, the wall must be flush with the inside of the face frame). (Fig 2)

Fig 1

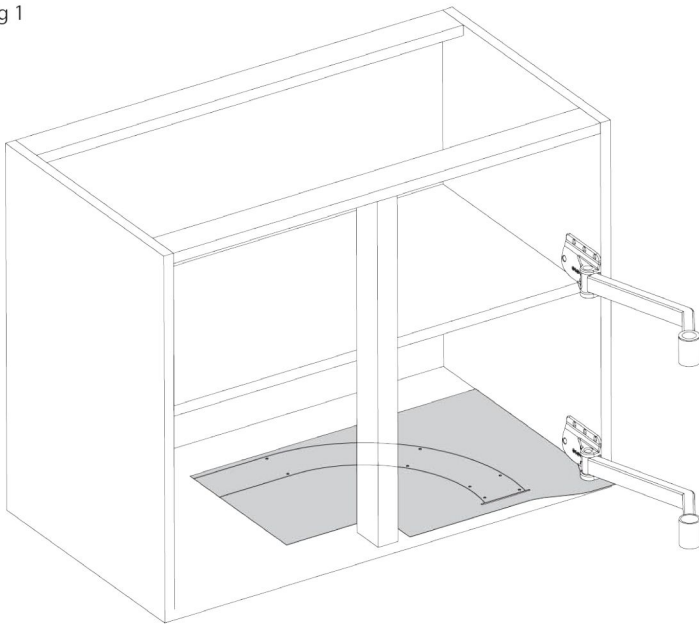


Fig 2

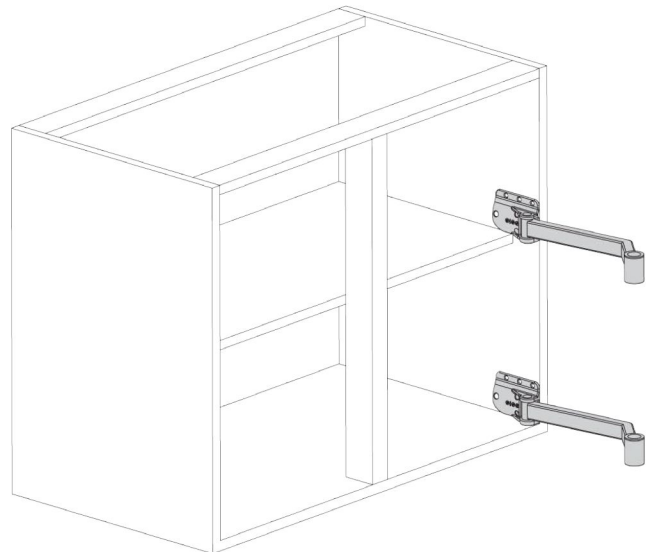


Fig 3

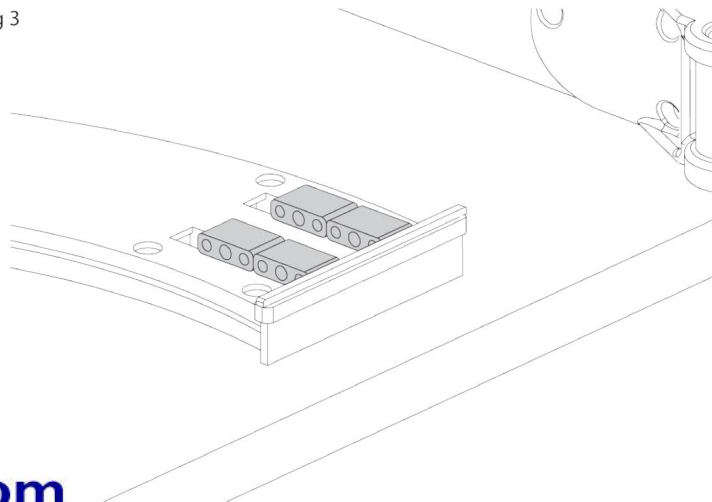
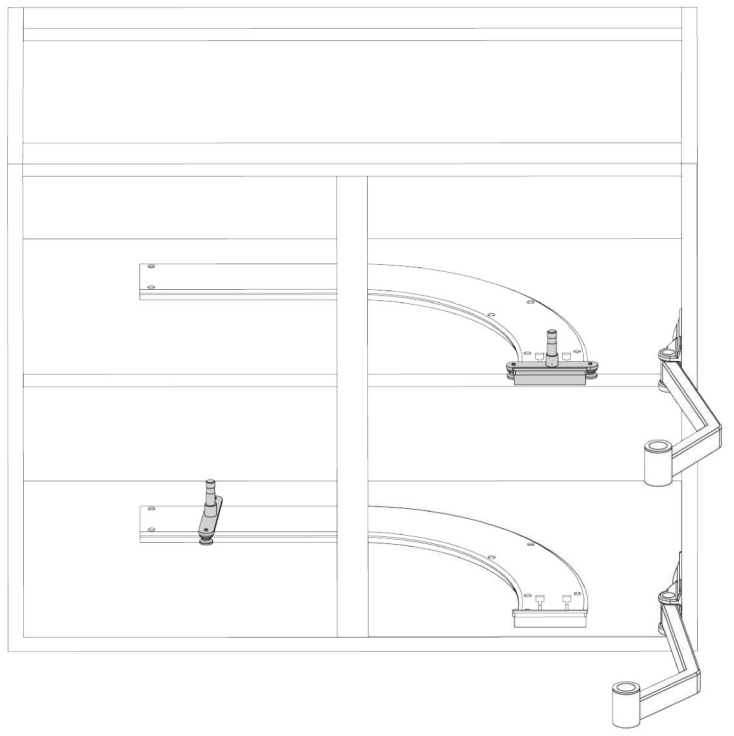


Fig 4



3) Attach the pivoting guides to the floor tracks as shown. (Fig 4)

4) Attach the shelf to the track and the support arm according to the following diagrams. (Fig 5-7)

Fig 5

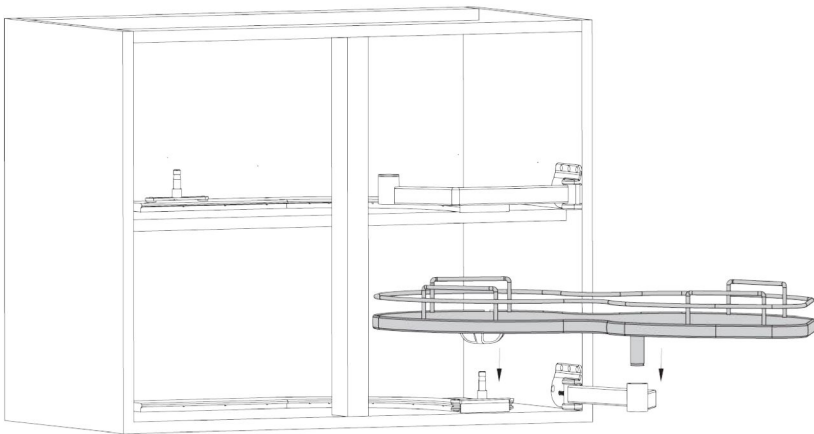


Fig 6

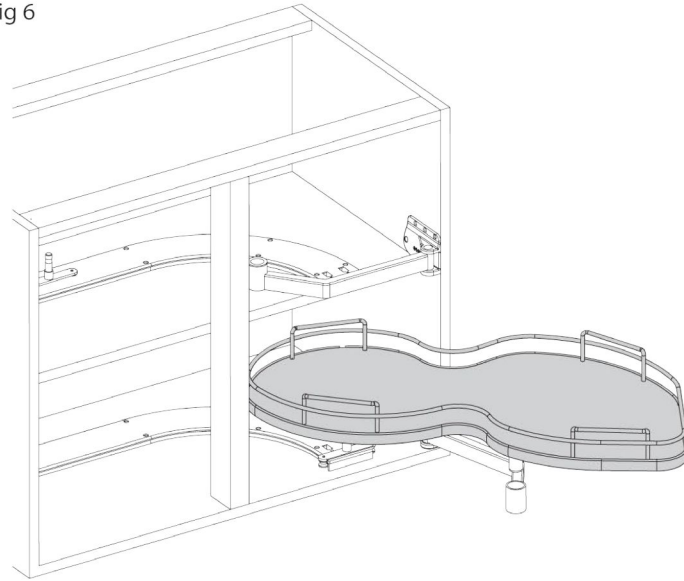


Fig 7

