
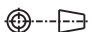
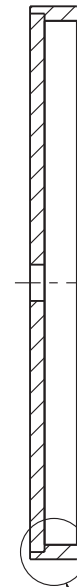
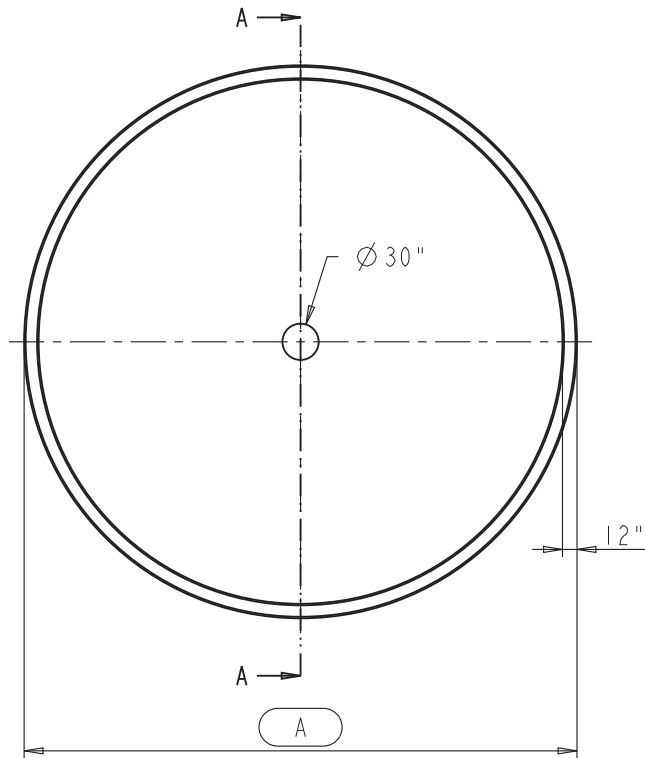


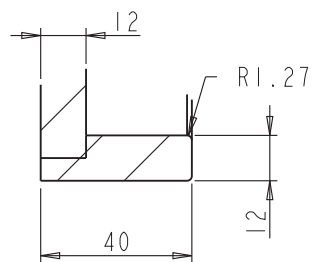
|   |   |  |
|---|---|--|
| <br><b>PROPRIETARY AND CONFIDENTIAL</b><br>THE INFORMATION CONTAINED IN THIS DRAWING IS THE SOLE PROPERTY OF HARDWARE RESOURCES INC. ANY REPRODUCTION IN PART OR AS A WHOLE WITHOUT THE WRITTEN PERMISSION OF HARDWARE RESOURCES INC. IS PROHIBITED. | ITEM#: BLSR-SET   | MATERIAL:  |
|   | FINISH:   | WEIGHT:  |
|   |   | PROJECTION  |
|   | TOLERANCE UNLESS OTHERWISE SPECIFIED:<br>X ±0.20<br>X.X ±0.10<br>X.XX ±0.05<br>ANGULAR: ±0.5° | UNITS: DRAWN BY: <i>Alan Liu</i>   |
| DO NOT SCALE DRAWING  | SIZE: A4  | DATE:  |
|   | SHEET: 1 OF 1   | APPROVED BY: DATE: REVISION:   |
|   |   | RELEASE LEVEL:   |



SEE DETAIL A

Spec Sheet:

|          |       |
|----------|-------|
| Item NO. | A     |
| BLSR18   | 457.2 |
| BLSR20   | 508   |
| BLSR24   | 609.6 |
| BLSR28   | 711.2 |



DETAIL A  
 SCALE 1:2

|  |   |  |  |   |                             |
|--|---|--|--|---|-----------------------------|
|  | ITEM: BLSR  |  | MATERIAL:                              |   |                             |
|  | FINISH:   |  | WEIGHT:                                |   |                             |
| <b>PROPRIETARY AND CONFIDENTIAL</b><br>THE INFORMATION CONTAINED IN THIS DRAWING IS THE SOLE PROPERTY OF HARDWARE RESOURCES INC. ANY REPRODUCTION IN PART OR AS A WHOLE WITHOUT THE WRITTEN PERMISSION OF HARDWARE RESOURCES INC. IS PROHIBITED. | TOLERANCE UNLESS OTHERWISE SPECIFIED:<br>X ±0.20<br>X.X ±0.10<br>X.XX ±0.05<br>ANGULAR: ±0.5° |  | UNITS: MM<br>SIZE: A4<br>SHEET: 1 OF 1 | DRAWN BY: <i>Alan Liu</i><br>APPROVED BY:<br>RELEASE LEVEL: | DATE:<br>DATE:<br>REVISION: |
|  | DO NOT SCALE DRAWING  |  | PROJECTION                             |   |                             |
|  |   |  |  |   | 9                           |
|  |   |  |  |   |                             |