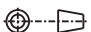
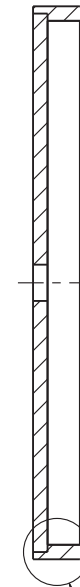
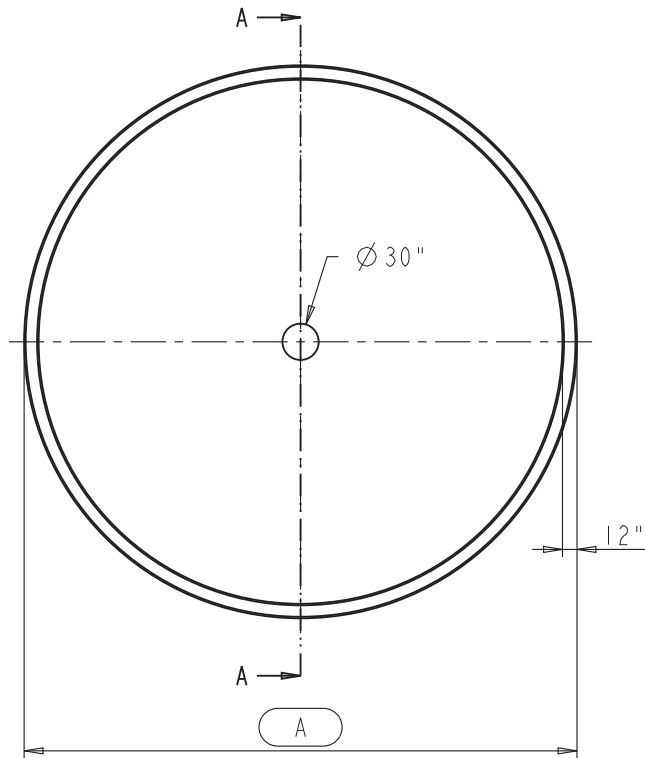
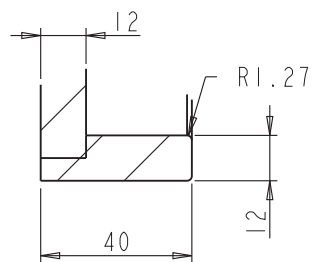
 PROPRIETARY AND CONFIDENTIAL THE INFORMATION CONTAINED IN THIS DRAWING IS THE SOLE PROPERTY OF HARDWARE RESOURCES INC. ANY REPRODUCTION IN PART OR AS A WHOLE WITHOUT THE WRITTEN PERMISSION OF HARDWARE RESOURCES INC. IS PROHIBITED.	ITEM:	BLSR-SET		MATERIAL:
	FINISH:			WEIGHT:
				PROJECTION 
	TOLERANCE UNLESS OTHERWISE SPECIFIED: X ±0.20 X.X ±0.10 X.XX ±0.05 ANGULAR: ±0.5°	UNITS:	DRAWN BY: <i>Alan Liu</i>	DATE:
DO NOT SCALE DRAWING	SIZE: A4	APPROVED BY:	DATE:	REVISION:
	SHEET: 1 OF 1	RELEASE LEVEL:		



SEE DETAIL A

Spec Sheet:

Item NO.	A
BLSR18	457.2
BLSR20	508
BLSR24	609.6
BLSR28	711.2



DETAIL A
 SCALE 1:2

	ITEM#: BLSR		MATERIAL:		
	FINISH:		WEIGHT:		
PROPRIETARY AND CONFIDENTIAL THE INFORMATION CONTAINED IN THIS DRAWING IS THE SOLE PROPERTY OF HARDWARE RESOURCES INC. ANY REPRODUCTION IN PART OR AS A WHOLE WITHOUT THE WRITTEN PERMISSION OF HARDWARE RESOURCES INC. IS PROHIBITED.	TOLERANCE UNLESS OTHERWISE SPECIFIED: X ±0.20 X.X ±0.10 X.XX ±0.05 ANGULAR: ±0.5°		UNITS: MM	DRAWN BY: <i>Alan Liu</i>	DATE:
	SIZE: A4		APPROVED BY:		DATE:
	SHEET: 1 OF 1		RELEASE LEVEL:		REVISION:
	DO NOT SCALE DRAWING				
			PROJECTION		
			9		